

**Eaton
Hydraulics
Division**

Product Data Sheet

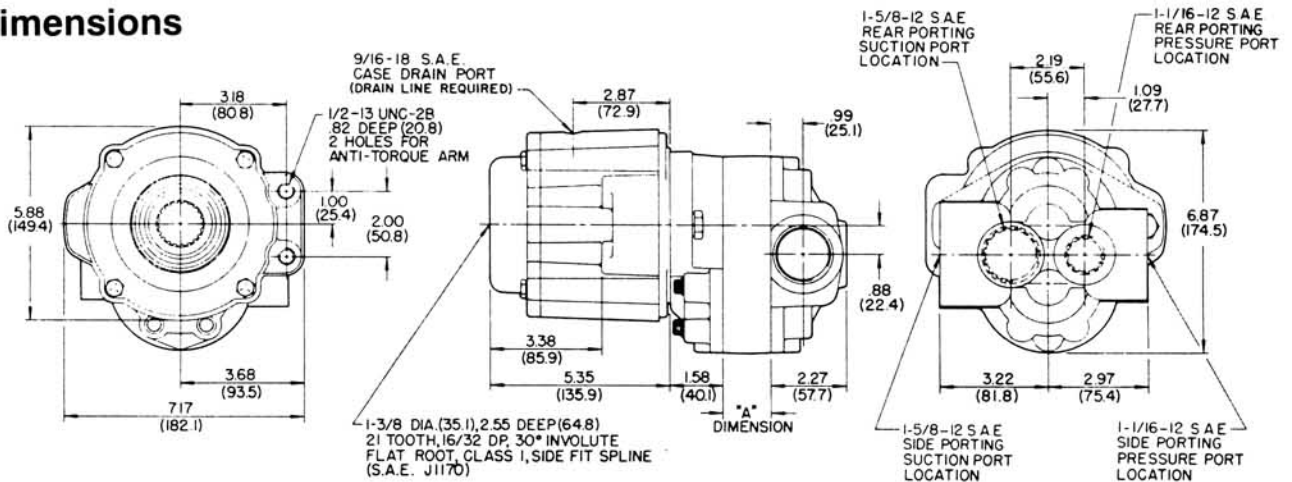
Model 77032 1:3 Planetary Gear Step-Up Box with L2 Gear Pump

Specifications

**1000 R.P.M.
P.T.O. Driven**

	Maximum Input RPM	1000 RPM
	Pump RPM	3000 RPM
Step-Up Box Data	Maximum Continuous Input Torque	189 ft. lbs. (256.3 N-m)
	Maximum Intermittent Input Torque	315 ft. lbs. (427.1 N-m)
	Maximum Continuous Input Horsepower	36 Hp. (26.8 kW)
	Maximum Intermittent Input Horsepower	60 Hp. (44.7 kW)
	Maximum Operating Temperature	225°F. (107°C)
	Maximum Case Pressure	30 P.S.I. (2.07 bar)
Pump Data	Maximum Pressure	3000 P.S.I. (207 bar)
	Maximum Continuous Inlet Temperature	225°F. (107°C)
Maximum Inlet Vacuum @ 110°/120°F. (43.3°/48.9°C) and Rated R.P.M.		6 in. hg. (0.80 bar absolute)
	Assembly Weight	Approx. 27.75 (12.6 kg.)
	Paint	Primer

Dimensions



"A" Dimension

Part No.	25500	25501	25502
Disp.	1.30	1.55	1.78
"A" Dim.	.78 (19.8)	.91 (23.1)	1.05 (26.7)

Gear Box case drain line must be connected direct to reservoir.
Case drain port must be at or above centerline.



Ordering Information

The following order numbers make it possible to select an assembled step-up box with a gear pump, or the step-up box and gear pump may be ordered as separate units.

When ordering the step-up box and gear pump as separate units, a 77000-904 mounting kit is required to assemble the step-up box to the gear pump. The mounting kit includes cap screws, o-ring, retaining rings and sun gear.

An anti-torque arm is required to secure step-up box and gear pump assembly when installed on PTO shaft.

1:3 Gear Box Part Number is 77030-AA.

Step-Up Box & Gear Pump Assembly Order Number	*Gear Pump Order Number	Pump Porting Location	Displacement Cu. In./REV. (mL/REV.)	Max. P.S.I. (Bar)	G.P.M. (L/min.) At Max. P.S.I. And Pump Speed	Input Horsepower (kW) At Max. P.S.I. And Pump Speed
77032-LAD 77032-LAE	25500-LSG 25500-LSH	Side Rear	1.30 (21.3)	3000 (207)	15.5 (58.7)	34 (25)
77032-LAF 77032-LAG	25501-LSG 25501-LSH	Side Rear	1.55 (25.4)	3000 (207)	18.5 (70.0)	42 (31)
77032-LAH 77032-LAJ	25502-LSG 25502-LSH	Side Rear	1.78 (29.2)	3000 (207)	21.3 (80.6)	47 (35)

Eaton Corporation **Hydraulics Division** 15151 Highway 5 Eden Prairie, MN 55344 Telephone (612) 937-9800

Eaton G.m.b.H. **Hydraulics Division** 100 410 • D-5620 Velbert 1 West Germany (0 20 51) 20 70

