

# Eaton Hydraulics Division

## Product Data Sheet

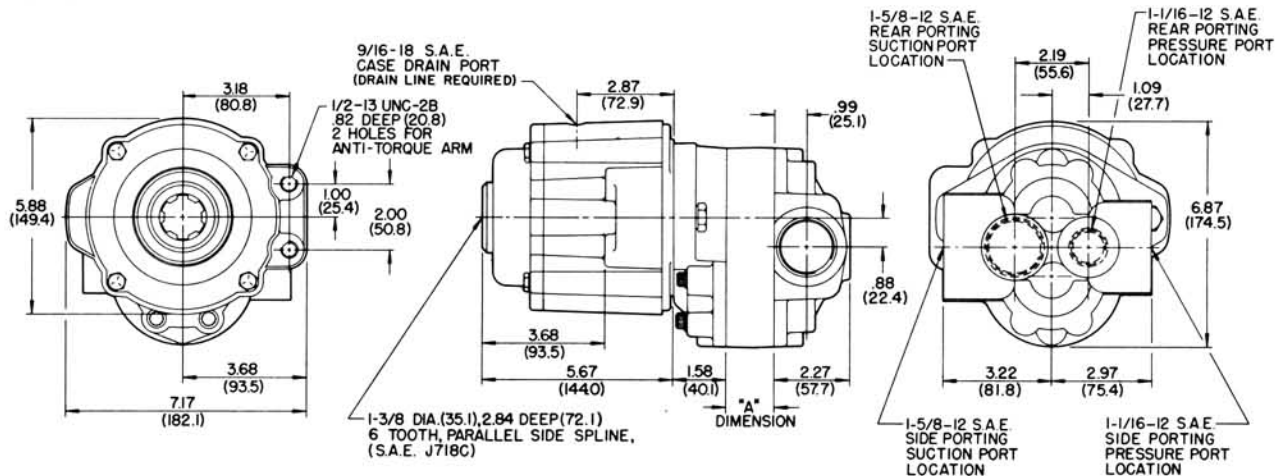
### Model 77022 1:4 Planetary Gear Step-Up Box With L2 Gear Pump

**540 R.P.M.  
P.T.O. Driven**

#### Specifications

	<b>Maximum Input RPM</b>	<b>540 RPM</b>
	<b>Pump RPM</b>	<b>2160 RPM</b>
<b>Step-Up Box Data</b>		
	<b>Maximum Continuous Input Torque</b>	<b>350 ft. lbs. (474.6 N-m)</b>
	<b>Maximum Intermittent Input Torque</b>	<b>584 ft. lbs. (792. N-m)</b>
	<b>Maximum Continuous Input Horsepower</b>	<b>36 Hp. (26.8 kW)</b>
	<b>Maximum Intermittent Input Horsepower</b>	<b>60 Hp. (44.7 kW)</b>
	<b>Maximum Operating Temperature</b>	<b>225°F. (107°C)</b>
	<b>Maximum Case Pressure</b>	<b>30 P.S.I. (2.07 bar)</b>
<b>Pump Data</b>		
	<b>Maximum Pressure</b>	<b>3000 P.S.I. (207 bar)</b>
	<b>Maximum Continuous Inlet Temperature</b>	<b>225°F. (107°C)</b>
<b>Maximum Inlet Vacuum @ 110°/120°F. (43.3°/48.9°C) and Rated R.P.M.</b>	<b>Assembly Weight</b>	<b>6 in. hg. (0.80 bar absolute)</b>
	<b>Paint</b>	<b>Approx. 27.75 (12.6 kg.)</b>
		<b>Primer</b>

#### Dimensions



**"A" Dimension**

Part No.	25500	25501	25502	25503	25504	25505	25506	25507	25508
Disp.	1.30	1.55	1.78	2.05	2.33	2.61	2.85	3.12	3.37
"A" Dim.	.78 (19.8)	.91 (23.1)	1.05 (26.7)	1.18 (30.0)	1.32 (33.5)	1.46 (37.1)	1.59 (40.4)	1.73 (43.9)	1.87 (47.5)

Gear Box case drain line must be connected direct to reservoir.  
Case drain port must be at or above centerline.



## Ordering Information

The following order numbers make it possible to select an assembled step-up box with a gear pump, or the step-up box and gear pump may be ordered as separate units.

When ordering the step-up box and gear pump as separate units, a 77002-904 mounting kit is required to assemble the step-up box to the gear pump. The mounting kit includes cap screws, o-ring, retaining rings and sun gear.

An anti-torque arm is required to secure step-up box and gear pump assembly when installed on PTO shaft.

1:4 Gear Box Part Number is 77020-AA.

Step-Up Box & Gear Pump Assembly Order Number	*Gear Pump Order Number	Pump Porting Location	Displacement Cu. In./REV. (mL/REV.)	Max. P.S.I. (Bar)	G.P.M. (L/min.) At Max. P.S.I. And Pump Speed	Input Horsepower (kW) At Max. P.S.I. And Pump Speed
77022-LAP 77022-LAQ	25500-LSG 25500-LSH	Side Rear	1.30 (21.3)	3000 (207)	10.8 (40.9)	24 (18)
77022-LAH 77022-LAJ	25501-LSG 25501-LSH	Side Rear	1.55 (25.4)	3000 (207)	12.9 (48.8)	29 (22)
77022-LAK 77022-LAL	25502-LSG 25502-LSH	Side Rear	1.78 (29.2)	3000 (207)	15.0 (56.8)	33 (25)
77022-LAM 77022-LAN	25503-LSG 25503-LSH	Side Rear	2.05 (33.6)	3000 (207)	17.3 (65.5)	39 (29)
77022-LAR 77022-LAS	25504-LSG 25504-LSH	Side Rear	2.33 (38.2)	3000 (207)	19.6 (94.2)	44 (33)
77022-LAT 77022-LAU	25505-LSG 25505-LSH	Side Rear	2.61 (42.8)	3000 (207)	22.0 (83.3)	48 (36)
77022-LAV 77022-LAW	25506-LSG 25506-LSH	Side Rear	2.85 (46.7)	3000 (207)	24.0 (90.8)	54 (40)
77022-LAY 77022-LAZ	25507-LSG 25507-LSH	Side Rear	3.12 (51.1)	3000 (207)	26.3 (99.5)	60 (45)
77022-LBA 77022-LBB	25508-LSG 25508-LSH	Side Rear	3.37 (55.2)	2700 (186)	28.4 (107.5)	60 (45)

Eaton Corporation **Hydraulics Division** 15151 Highway 5 Eden Prairie, MN 55344 Telephone (612) 937-9800

Eaton G.m.b.H. **Hydraulics Division** 100 410 • D-5620 Velbert 1 West Germany (0 20 51) 20 70

