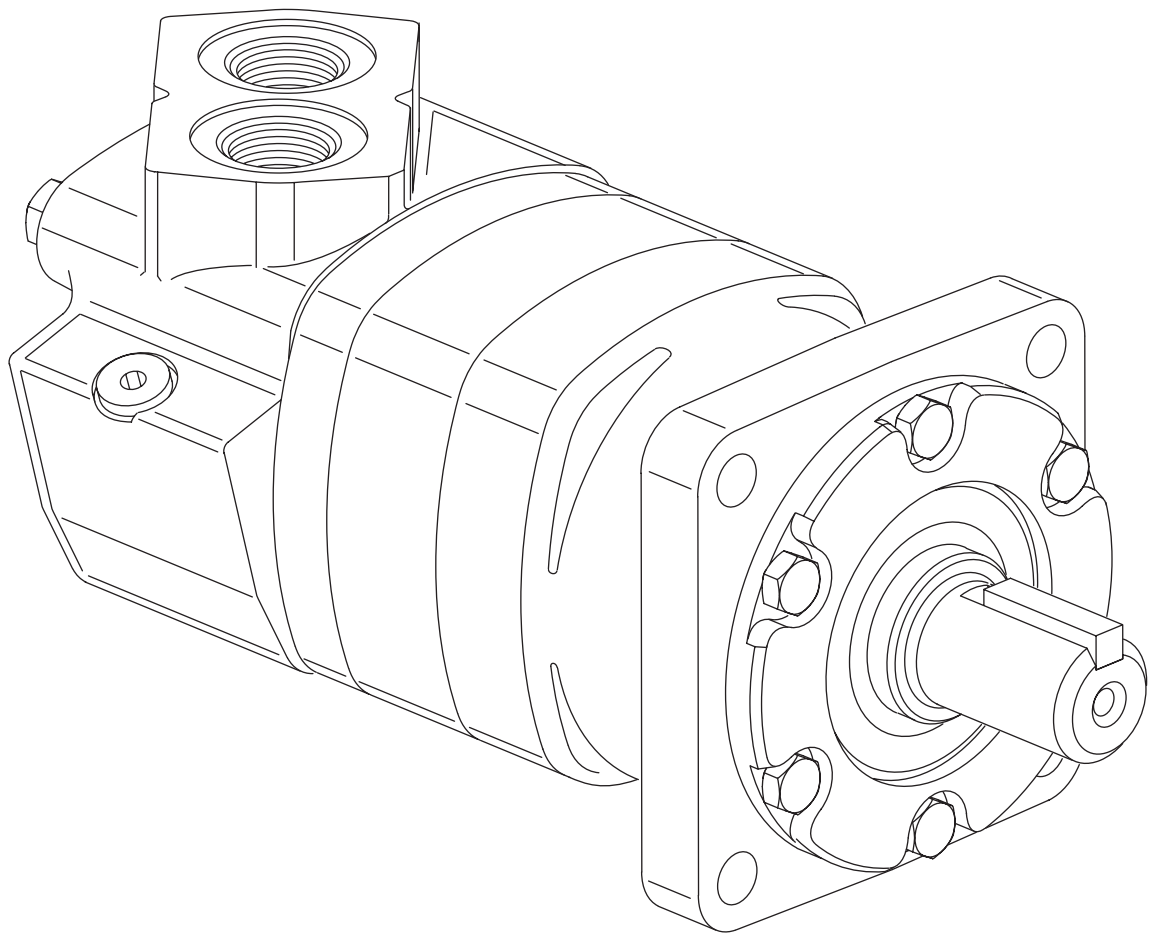


**Char-Lynn®**  
Disc Valve Motors

No. 6-127  
July, 1999



**Parts Information**



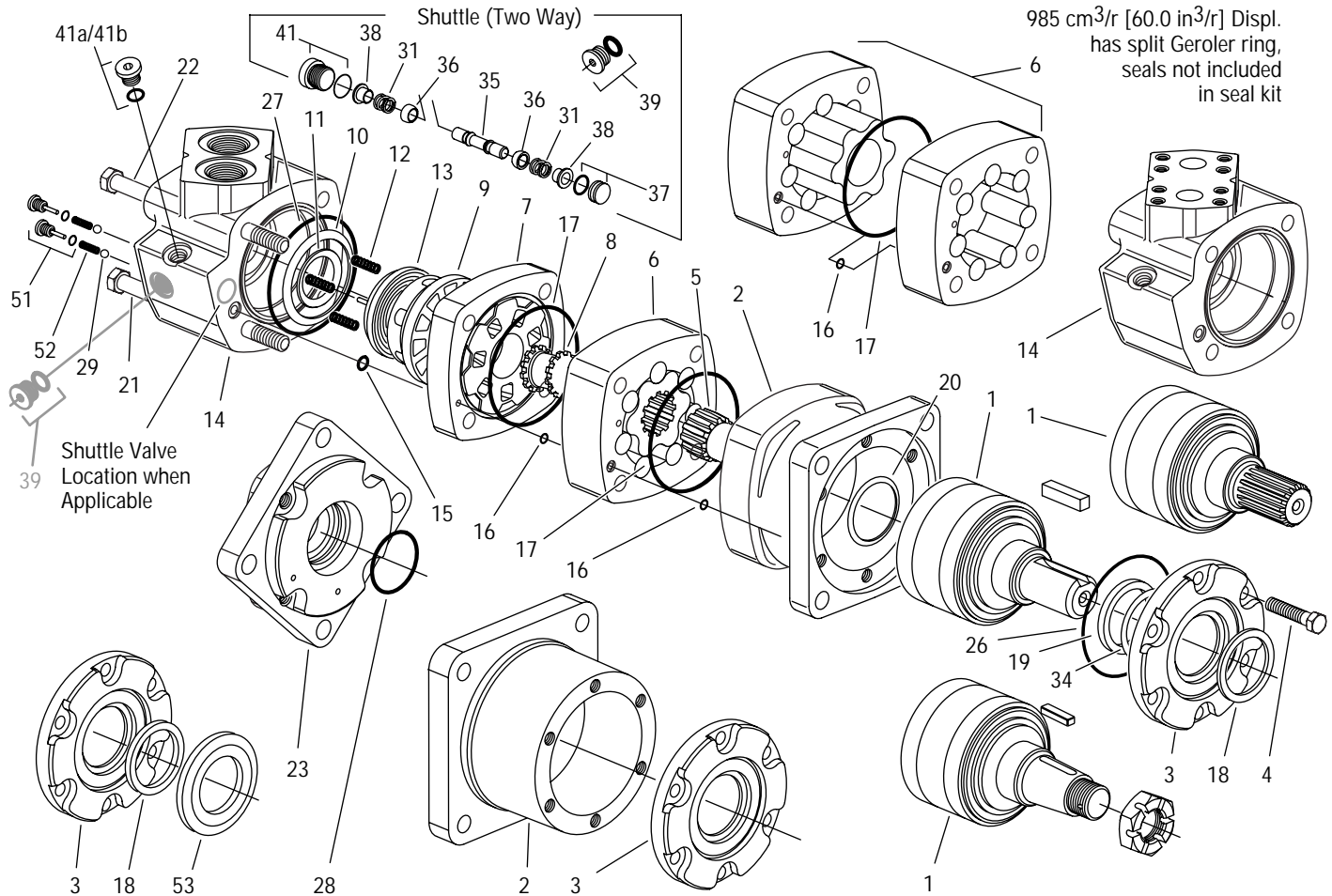
**6000 Series (includes Big 6 see pages 4 and 5)**  
**Geroler® Motors**

**-005 and -006**

# Disc Valve Motors — 6000 Series -005 and -006



| Displacement<br>cm <sup>3</sup> /r [in <sup>3</sup> /r] | Drive, Main<br>Item No. 5—Part No./Length |              | Geroler®<br>Item No. 6—Part No./Width |              | Screw, Cap<br>Item No. 21 —Part No./Length |              | Screw, Cap<br>Item No. 22—Part No./Length |              |
|---------------------------------------------------------|-------------------------------------------|--------------|---------------------------------------|--------------|--------------------------------------------|--------------|-------------------------------------------|--------------|
|                                                         | Part No.                                  | mm [inch]    | Part No.                              | mm [inch]    | Part No.                                   | mm [in.]     | Part No.                                  | mm [in.]     |
| 195 [11.9]                                              | 21373-001                                 | 105,1 [4.14] | 8507-001                              | 21,7 [ .85]  | 14409-001                                  | 125,7 [4.95] | 14409-005                                 | 159,7 [6.29] |
| 245 [15.0]                                              | 21373-002                                 | 110,7 [4.36] | 8507-002                              | 27,3 [1.07]  | 14409-002                                  | 132,1 [5.20] | 14409-006                                 | 166,1 [6.54] |
| 310 [19.0]                                              | 21373-003                                 | 118,1 [4.65] | 8507-003                              | 34,6 [1.36]  | 14409-003                                  | 138,4 [5.45] | 14409-007                                 | 172,4 [6.79] |
| 390 [23.9]                                              | 21373-004                                 | 127,0 [5.00] | 8507-004                              | 43,4 [1.71]  | 14409-004                                  | 148,1 [5.83] | 14409-008                                 | 181,8 [7.16] |
| 490 [30.0]                                              | 21373-005                                 | 138,2 [5.44] | 8507-005                              | 54,4 [2.14]  | 14409-005                                  | 159,7 [6.29] | 14409-010                                 | 193,3 [7.61] |
| 625 [38.0]                                              | 21373-007                                 | 152,8 [6.02] | 8507-007                              | 69,1 [2.72]  | 14409-007                                  | 172,4 [6.79] | 14409-014                                 | 208,5 [8.21] |
| 985 [60.0]                                              | 21373-006                                 | 192,8 [7.59] | 8507-006                              | 108,9 [4.29] | 14409-012                                  | 213,6 [8.41] | 14409-013                                 | 245,4 [9.66] |



| Item No. | Part Number -005 | Part Number -006 | Description                                                              | Quantity per Unit                    |      |       |
|----------|------------------|------------------|--------------------------------------------------------------------------|--------------------------------------|------|-------|
|          |                  |                  |                                                                          | Std.                                 | Whl. | Brgl. |
| 1        | 8711-001         | 201837-001       | Shaft and Bearing Kit (1-1/2 inch Straight)                              | 1                                    | 1    |       |
|          | 14393-010        | 14393-010        | Key (for 1-1/2 Straight Shaft)                                           | 1                                    | 1    |       |
|          | 8711-002         | 201837-002       | Shaft and Bearing Kit (1-3/4 in. Tapered)                                | 1                                    | 1    |       |
|          | 8711-013         | N/A              | Shaft and Bearing Kit (1-3/4 in. Tapered — Special Shaft for Seal Guard) |                                      |      | 1     |
|          | 14230-000        | 14230-000        | Nut, Hex (1-3/4 in. Tapered Shaft)                                       | 1                                    | 1    |       |
|          | 14394-007        | 14394-007        | Key (for 1-3/4 in. Tapered Shaft)                                        | 1                                    | 1    |       |
|          | 8711-003         | 201837-003       | Shaft and Bearing Kit (1-1/2 in. Splined 17T)                            | 1                                    | 1    |       |
|          | 8711-010         | 201837-010       | Shaft and Bearing Kit (40 mm Straight)                                   | 1                                    | 1    |       |
|          | 14458-006        | 14458-006        | Key (for 40mm Straight Shaft)                                            | 1                                    | 1    |       |
|          | 2                | 8490-000         | 201839-001                                                               | Housing, Bearing (SAE CC) (Standard) | 1    |       |
| 8494-000 |                  | 201839-002       | Housing, Bearing (Wheel Mount)                                           |                                      | 1    |       |
| 3        | 7547-000         | 201840-001       | Retainer, Front                                                          | 1                                    | 1    |       |
| 4        | 14253-000        | 14253-000        | Screw, Cap                                                               | 6                                    | 6    |       |

# Disc Valve Motors — 6000 Series -005 and -006



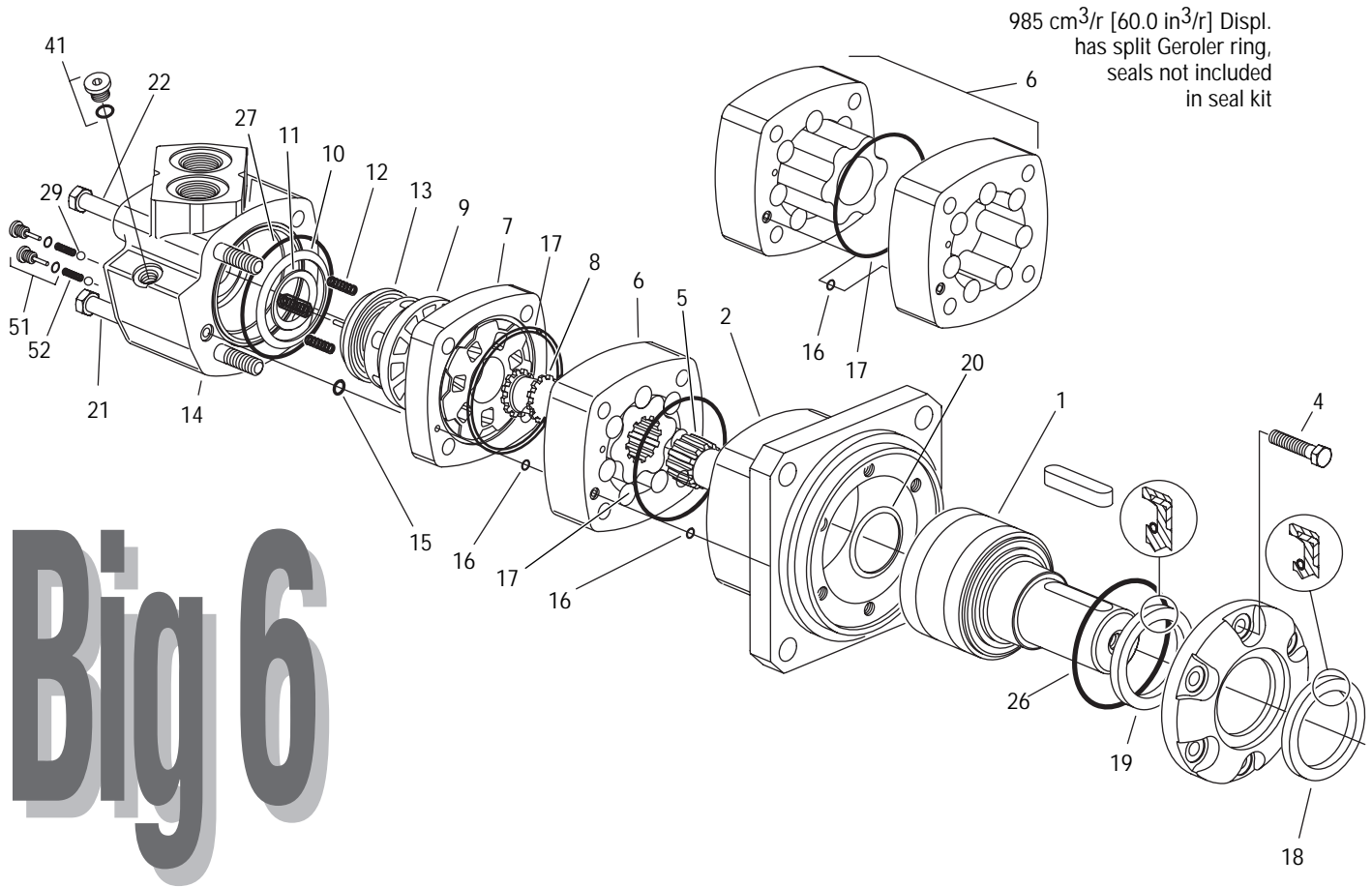
| Item No. | Part No. -005 | Part No. -006 | Description                                                                                                  | Quantity per Unit |      |       |
|----------|---------------|---------------|--------------------------------------------------------------------------------------------------------------|-------------------|------|-------|
|          |               |               |                                                                                                              | Std.              | Whl. | Brgl. |
| 5        | *             | *             | Drive, Main                                                                                                  | 1                 | 1    | 1     |
| 6        | *             | *             | Geroler®                                                                                                     | 1                 | 1    | 1     |
| 7        | 21666-000     | 21666-000     | Plate, Valve                                                                                                 | 1                 | 1    | 1     |
| 8        | 8508-000      | 8508-000      | Drive, Valve                                                                                                 | 1                 | 1    | 1     |
| 9        | 8497-000      | 8497-000      | Valve                                                                                                        | 1                 | 1    | 1     |
| OX 10    | 6992-000      | 6992-000      | Seal, Face, Outer                                                                                            | 1                 | 1    | 1     |
| OX 11    | 6993-000      | 6993-000      | Seal, Face, Inner                                                                                            | 1                 | 1    | 1     |
| 12       | 6203-000      | 6203-000      | Spring, Compression                                                                                          | 3                 | 3    | 3     |
| 13       | 21317 -000    | 21317 -000    | Balance Ring w/ Pins                                                                                         | 1                 | 1    | 1     |
| 14       | 8502-004      | 8502-004      | Housing, Valve (1-5/16 Str. Thrd. O-ring Ports — 7/16-20 Case Drain Port)                                    | 1                 | 1    | 1     |
|          | 23980-001     | 23980-001     | Housing, Valve - Shuttle Valve Type (1-5/16 Str. Thrd. O-ring Ports — 9/16-18 Case Drain Port)               | 1                 | 1    | 1     |
|          | 8502-002      | 8502-002      | Housing, Valve 3/4 in. Split Flange Ports — 7/16-20 Case Drain Port)                                         | 1                 | 1    | 1     |
|          | 8502-006      | 8502-006      | Housing, Valve (G 1 (BSP) Ports — G 1/4 (BSP) Case Drain Port)                                               | 1                 | 1    | 1     |
| OX 15    | 15006-000     | 15006-000     | Seal                                                                                                         | 1                 | 1    | 1     |
| OX 16    | 8765-010      | 8765-010      | Seal                                                                                                         | 2                 | 2    | 2     |
| X† 17    | 250052-044    | 250052-044    | Seal                                                                                                         | 2                 | 2    | 2     |
| † 18     | 9039-001      | 9039-001      | Dust Seal                                                                                                    | 1                 | 1    |       |
| † 19     | 9057-013      | 9057-013      | Seal, Shaft                                                                                                  | 1                 | 1    |       |
| † 20     | 9080-001      | 9080-001      | Seal, Shaft Face                                                                                             | 1                 | 1    |       |
| 21       | *             | *             | Screw, Cap                                                                                                   | 2                 | 2    | 2     |
| 22       | *             | *             | Screw, Cap                                                                                                   | 2                 | 2    | 2     |
| 23       | 8492-000      | 8492-000      | Flange, Mounting, SAE C                                                                                      |                   |      | 1     |
| OX 26    | 15039-000     | 15039-000     | Seal                                                                                                         | 1                 | 1    |       |
| OX 27    | 15062-000     | 15062-000     | Seal                                                                                                         | 1                 | 1    | 1     |
| 28       | 15128-000     | 15128-000     | Seal                                                                                                         |                   |      | 1     |
| 29       | 18026-000     | 18026-000     | Ball, Steel                                                                                                  | 2                 | 2    | 2     |
| 31       | 230079-000    | 230079-000    | Spring                                                                                                       | 2                 | 2    | 2     |
| † 34     | 6991-000      | 6991-000      | Ring, Back-up                                                                                                | 1                 | 1    |       |
| 35       | 8566-000      | 8566-000      | Piston Shuttle                                                                                               | 1                 | 1    | 1     |
| 36       | 8567-000      | 8567-000      | Poppet                                                                                                       | 2                 | 2    | 2     |
| 37       | 201868-002    | 201868-002    | Plug Assembly                                                                                                | 1                 | 1    | 1     |
|          | 14502-012     | 14502-012     | O-ring                                                                                                       | 1                 | 1    | 1     |
| 38       | 8755-000      | 8755-000      | Sleeve, Dash Pot                                                                                             | 1                 | 1    | 1     |
| 39       | 9072-002      | 9072-002      | Plug Assembly                                                                                                | 1                 | 1    | 1     |
|          | 250003-903    | 250003-903    | O-ring                                                                                                       | 1                 | 1    | 1     |
| 41       | 9072-005      | 9266-006      | Plug Assembly (9/16-18 Shuttle Valve End)                                                                    | 1                 | 1    | 1     |
|          | 250003-906    | 250003-906    | O-ring                                                                                                       | 1                 | 1    | 1     |
| 41a      | 9072-003      | 9266-003      | Plug Assembly (7/16-20 Case Drain Plug)                                                                      | 1                 | 1    | 1     |
|          | 250003-904    | 250003-904    | O-ring                                                                                                       | 1                 | 1    | 1     |
| 41b      | 9072-002      | 9072-002      | Plug Assembly (G 1/4 (BSP) Case Drain Plug)                                                                  | 1                 | 1    | 1     |
|          | 250003-904    | 250003-904    | O-ring                                                                                                       | 1                 | 1    | 1     |
| 51       | 8350-000      | 8350-000      | Check Plug Assembly                                                                                          | 2                 | 2    | 2     |
| X        | 250003-903    | 250003-903    | O-ring                                                                                                       | 2                 | 2    | 2     |
| 52       | 6464-000      | 6464-000      | Spring, Compression                                                                                          | 2                 | 2    | 2     |
| 53       | 14628-003     | 14628-007     | Guard, Seal                                                                                                  | 1                 | 1    |       |
|          | 61238-000     | 61238-000     | Seal Kit, Rear (Std. and Whl. Motors) — Contains Parts Indicated by X                                        |                   |      |       |
|          | 61237-000     | 61237-000     | Seal Kit, Shaft (Std. and Whl. Motors) — Contains Parts Indicated by †                                       |                   |      |       |
|          | 61285-000     | 61285-000     | Seal Kit, Complete Buna N with Viton Shaft Seal (Std. and Whl. Motors) — Contains Parts Indicated by X and † |                   |      |       |
|          | 61239-000     | 61239-000     | Seal Kit, (Bearingless Motor Only) — Contains Parts Indicated by X                                           |                   |      |       |
|          | 61250-000     | 61250-000     | Seal Kit, Viton®** (Bearingless Motor Only)— Contains Parts Indicated by O                                   |                   |      |       |
|          | 61246-000     | 61246-000     | Seal Kit, Viton** (Std. and Whl. Motors) — Contains Parts Indicated by X and †                               |                   |      |       |
|          | 61291-000     | 61293-000     | Seal Kit, Shaft (Std. and Whl. Motors with special Tapered Shaft for Seal Guard — Shaft End Seals Only)      |                   |      |       |

\* — See chart on opposite page.

Viton® is a registered trade name of Dupont Corporation.

\*\* — Viton seal part numbers differ from part numbers shown above. Note: Back-up Ring (item 34) is not used with Viton shaft seal (item 19)

| Displacement<br>cm <sup>3</sup> /r [in <sup>3</sup> /r] | Drive, Main<br>Item No. 5—Part No./Length |              | Geroler®<br>Item No. 6—Part No./Width |              | Screw, Cap<br>Item No. 21—Part No./Length |              | Screw, Cap<br>Item No. 22—Part No./Length |              |
|---------------------------------------------------------|-------------------------------------------|--------------|---------------------------------------|--------------|-------------------------------------------|--------------|-------------------------------------------|--------------|
|                                                         | Part No.                                  | mm [inch]    | Part No.                              | mm [inch]    | Part No.                                  | mm [in.]     | Part No.                                  | mm [in.]     |
| 195 [11.9]                                              | 21373-001                                 | 105,1 [4.14] | 8507-001                              | 21,7 [.85]   | 14409-001                                 | 125,7 [4.95] | 14409-005                                 | 159,7 [6.29] |
| 390 [23.9]                                              | 21373-004                                 | 127,0 [5.00] | 8507-004                              | 43,4 [1.71]  | 14409-004                                 | 148,1 [5.83] | 14409-008                                 | 181,8 [7.16] |
| 490 [30.0]                                              | 21373-005                                 | 138,2 [5.44] | 8507-005                              | 54,4 [2.14]  | 14409-005                                 | 159,7 [6.29] | 14409-010                                 | 193,3 [7.61] |
| 625 [38.0]                                              | 21373-007                                 | 152,8 [6.02] | 8507-007                              | 69,1 [2.72]  | 14409-007                                 | 172,4 [6.79] | 14409-014                                 | 208,5 [8.21] |
| 737 [45.0]                                              | 21373-00X                                 | 000,0 [0.00] | 8507-00X                              | 000,0 [0.00] | 14409-00X                                 | 000,0 [0.00] | 14409-0XX                                 | 000,0 [0.00] |
| 803 [49.0]                                              | 21373-00X                                 | 000,0 [0.00] | 8507-00X                              | 000,0 [0.00] | 14409-00X                                 | 000,0 [0.00] | 14409-0XX                                 | 000,0 [0.00] |
| 985 [60.0]                                              | 21373-006                                 | 192,8 [7.59] | 8507-006                              | 108,9 [4.29] | 14409-012                                 | 213,6 [8.41] | 14409-013                                 | 245,4 [9.66] |



# Big 6

| Item No. | Part Number -006 | Description                                               | Quantity per Unit |
|----------|------------------|-----------------------------------------------------------|-------------------|
|          |                  |                                                           | Std.              |
| 1        | 201837-001       | Shaft and Bearing Kit (50mm Straight)                     | 1                 |
|          | 14393-010        | Key (for 50mm Straight Shaft)                             | 1                 |
| 2        | 201839-001       | Housing, Bearing — Global Mount (Similar to ISO 3019 / 2) | 1                 |
| 3        | 201840-001       | Retainer, Front                                           | 1                 |
| 4        | 14253-000        | Screw, Cap                                                | 6                 |

# Big 6

| Item No. | Part No.<br>-006 | Description                                                                     | Quantity per Unit |      |
|----------|------------------|---------------------------------------------------------------------------------|-------------------|------|
|          |                  |                                                                                 |                   | Std. |
| 5        | *                | Drive, Main                                                                     |                   | 1    |
| 6        | *                | Geroler®                                                                        |                   | 1    |
| 7        | 21666-000        | Plate, Valve                                                                    |                   | 1    |
| 8        | 8508-000         | Drive, Valve                                                                    |                   | 1    |
| 9        | 8497-000         | Valve                                                                           |                   | 1    |
| X 10     | 6992-000         | Seal, Face, Outer                                                               |                   | 1    |
| X 11     | 6993-000         | Seal, Face, Inner                                                               |                   | 1    |
| 12       | 6203-000         | Spring, Compression                                                             |                   | 3    |
| 13       | 21317 -000       | Balance Ring w/ Pins                                                            |                   | 1    |
| 14       | 8502-006         | Housing, Valve (G 1 (BSP) Ports — G 1/4 (BSP) Case Drain Port)                  |                   | 1    |
| X 15     | 15006-000        | Seal                                                                            |                   | 1    |
| X 16     | 8765-010         | Seal                                                                            |                   | 2    |
| X 17     | 250052-044       | Seal                                                                            |                   | 2    |
| X 18     | 14850-001        | Dust Seal                                                                       |                   | 2    |
| X 19     | 14858-001        | Seal, Shaft                                                                     |                   | 1    |
| X 20     | 9080-001         | Seal, Shaft Face                                                                |                   | 1    |
| 21       | *                | Screw, Cap                                                                      |                   | 2    |
| 22       | *                | Screw, Cap                                                                      |                   | 2    |
| X 26     | 15039-000        | Seal                                                                            |                   | 1    |
| X 27     | 15062-000        | Seal                                                                            |                   | 1    |
| 29       | 18026-000        | Ball, Steel                                                                     |                   | 2    |
| 41       | 9170-002         | Plug Assembly (G 1/4 (BSP) Case Drain Plug)                                     |                   | 1    |
|          | 250003-904       | O-ring                                                                          |                   | 1    |
| 51       | 8350-000         | Check Plug Assembly                                                             |                   | 2    |
| X        | 250003-903       | O-ring                                                                          |                   | 2    |
| 52       | 6464-000         | Spring, Compression                                                             |                   | 2    |
|          | 61315-000        | Seal Kit, Complete Buna N with Viton Shaft Seal — Contains Parts Indicated by X |                   |      |

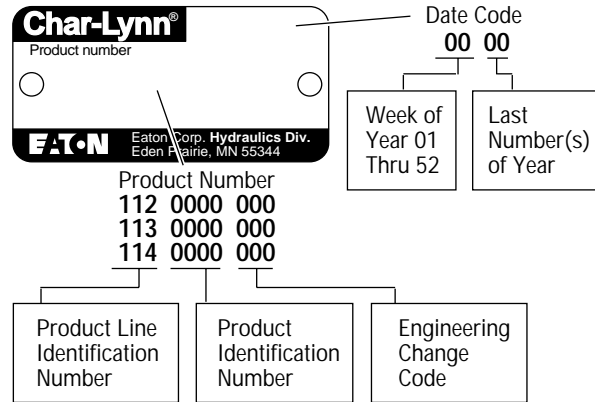
### How to Order Replacement Parts

#### Each Order Must Include the Following:

1. Product Number
2. Date Code
3. Part Name
4. Part Number
5. Quantity of Parts

For More Detailed Information Contact Eaton Corp. Hydraulics Division 15151 Highway 5 Eden Prairie, MN 55344.

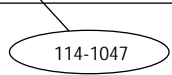
- Specifications and performance data, Catalog No. 11-878
- When servicing 6000 Series Motors refer to Repair Information No. 7-119. This repair manual lists tools required, and step by step disassembly and reassembly procedures.



### Product Numbers—6000 Series Motors

Use digit prefix —112-, 113-, or 114- plus four digit number from charts for complete product number—**Example 114-1047.**

| Mounting       | Shaft                      | Ports         | Displacement cm <sup>3</sup> /r [ in <sup>3</sup> /r ] and Product Number |                |               |               |               |               |               |
|----------------|----------------------------|---------------|---------------------------------------------------------------------------|----------------|---------------|---------------|---------------|---------------|---------------|
|                |                            |               | 195<br>[11.9]                                                             | 245<br>[ 15.0] | 310<br>[19.0] | 390<br>[23.9] | 490<br>[30.0] | 625<br>[38.0] | 985<br>[60.0] |
| Standard       | 1-1/2 inch Straight        | 1-5/16 O-ring | 112-1064                                                                  | -1065          | -1066         | -1067         | -1068         | -1107         | -1069         |
|                | 40 mm Straight             | G 1 (BSP)     | 112-1094                                                                  | -1095          | -1096         | -1097         | -1098         | —             | -1099         |
|                | 1-1/2 Inch<br>17 T Splined | 1-5/16 O-ring | 112-1058                                                                  | -1059          | -1060         | -1061         | -1062         | -1109         | -1063         |
|                |                            | G 1 (BSP)     | 112-1088                                                                  | -1089          | -1090         | -1091         | -1092         | —             | -1093         |
| Wheel<br>Motor | 40 mm Straight             | G 1 (BSP)     | 113-1082                                                                  | -1083          | -1084         | -1085         | -1086         | -1100         | -1087         |
|                | 1-3/4 Inch<br>Tapered      | 1-5/16 O-ring | 113-1070                                                                  | -1071          | -1072         | -1073         | -1074         | -1093         | -1075         |
| Bearingless    |                            | 1-5/16 O-ring | 114-1031                                                                  | -1032          | -1033         | -1034         | -1035         | -1055         | -1036         |
|                |                            | G 1 (BSP)     | 114-1043                                                                  | -1044          | -1045         | -1046         | -1047         | —             | -1048         |



# Big 6

## How to Order Replacement Parts

### Each Order Must Include the Following:

1. Product Number
2. Date Code
3. Part Name
4. Part Number
5. Quantity of Parts

For More Detailed Information Contact Eaton Corp. Hydraulics Division 15151 Highway 5 Eden Prairie, MN 55344.

- Specifications and performance data, Catalog No. 11-878
- When servicing 6000 Series Motors refer to Repair Information No. 7-119. This repair manual lists tools required, and step by step disassembly and reassembly procedures.

### Product Numbers – 6000 Series (Big 6)

#### Mounting Type - Standard (Code H), 4 Bolt:

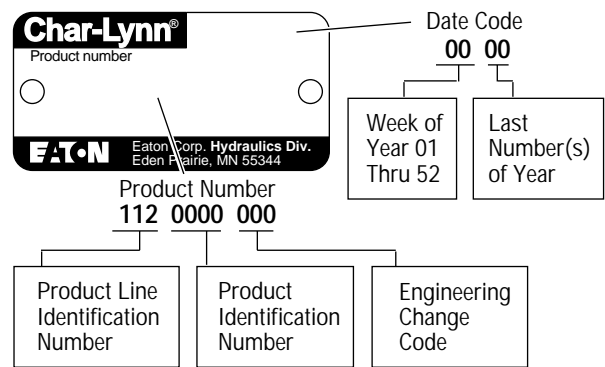
- 160,0 [6.30] Pilot Dia.
- 18,01 [.709] Dia. Mounting Holes
- 200,0 [7.87] Dia. Bolt Circle

#### Output Shaft - Straight (Code 21)

#### Ports - G1 (BSP) Staggered G 1/4 Case Drain (Code C)

#### Paint - Low Gloss Black

Use digit prefix —112- plus four digit number from charts for complete product number—**Example 112-1215.**  
**Orders will not be accepted without three digit prefix.**



| Mounting | Shaft          | Ports     | Displacement cm <sup>3</sup> /r [ in <sup>3</sup> /r ] and Product Number |            |            |            |            |            |            |
|----------|----------------|-----------|---------------------------------------------------------------------------|------------|------------|------------|------------|------------|------------|
|          |                |           | 310 [19.0]                                                                | 390 [23.9] | 490 [30.0] | 625 [38.0] | 737 [45.0] | 800 [49.0] | 985 [60.0] |
| Standard | 50 mm Straight | G 1 (BSP) | 112-1217                                                                  | -1218      | -1215      | -1216      | -1247      | -1219      | -1220      |

112-1215

## Disc Valve Motors — 6000 Series -005 and -006

---

Eaton Corporation  
**Hydraulics Division**  
15151 Hwy. 5  
Eden Prairie, MN 55344  
Telephone: 612/937-7254  
Fax: 612/937-7130

Sumitomo Eaton  
Hydraulic Company Ltd.  
Ooi-Cho Kameoka-Shi  
621-0017 Kyoto  
Japan  
Telephone: [+81] 771-22-9601  
Fax: [+81] 771-29-2020

Eaton Ltd.  
**Hydraulics Division**  
Glenrothes, Fife  
Scotland, KY7 4NW  
Telephone: [+44] (0)1592-771-771  
Fax: [+44] (0)1592-773-184

Eaton Ltd.  
7th Floor, Woo Duk Building  
832-2 Yeoksam-Dong, Kangnam-Ku  
Soeul 135-750  
Korea  
Telephone: [+82] 2-557-0595  
Fax: [+82] 2-557-1634

Eaton B.V.  
Boeing Avenue 11  
1119 PC Schiphol-Rijk  
The Netherlands  
Telephone: [+31] (0)20-655 6776  
Fax: [+31] (0)20-655 6800

Eaton Hydraulics (Shanghai) Co. Ltd.  
388 Aidu Road, Waigaogiao FTZ  
Pudong New Area  
Shanghai 200137  
Peoples Republic of China  
Telephone: [+86] 21-5046 0758  
Fax: [+86] 21-5046 0767

Sumitomo Eaton Hydraulic Co.  
8 Temasek Blvd.  
42-01 Suntec Tower Three  
Singapore 03988  
Telephone: [+65] 832-7727  
Fax: [+65] 832-7733

Jining Eaton Hydraulic Co. Ltd.  
6 Ji Da Road  
Jining City  
Shandong Province 272131  
Peoples Republic of China  
Telephone: [+86] 537-2221288  
Fax: [+86] 537-2221557



**Quality System Certified**  
Products in this catalog are manufactured  
in an ISO-9001-certified site.

---

[www.eatonhydraulics.com](http://www.eatonhydraulics.com)

Form No. 6-127

Copyright Eaton Corporation, 1991, 1986, 1995, 1996, 1997 and 1999  
All Rights Reserved  
Printed in USA