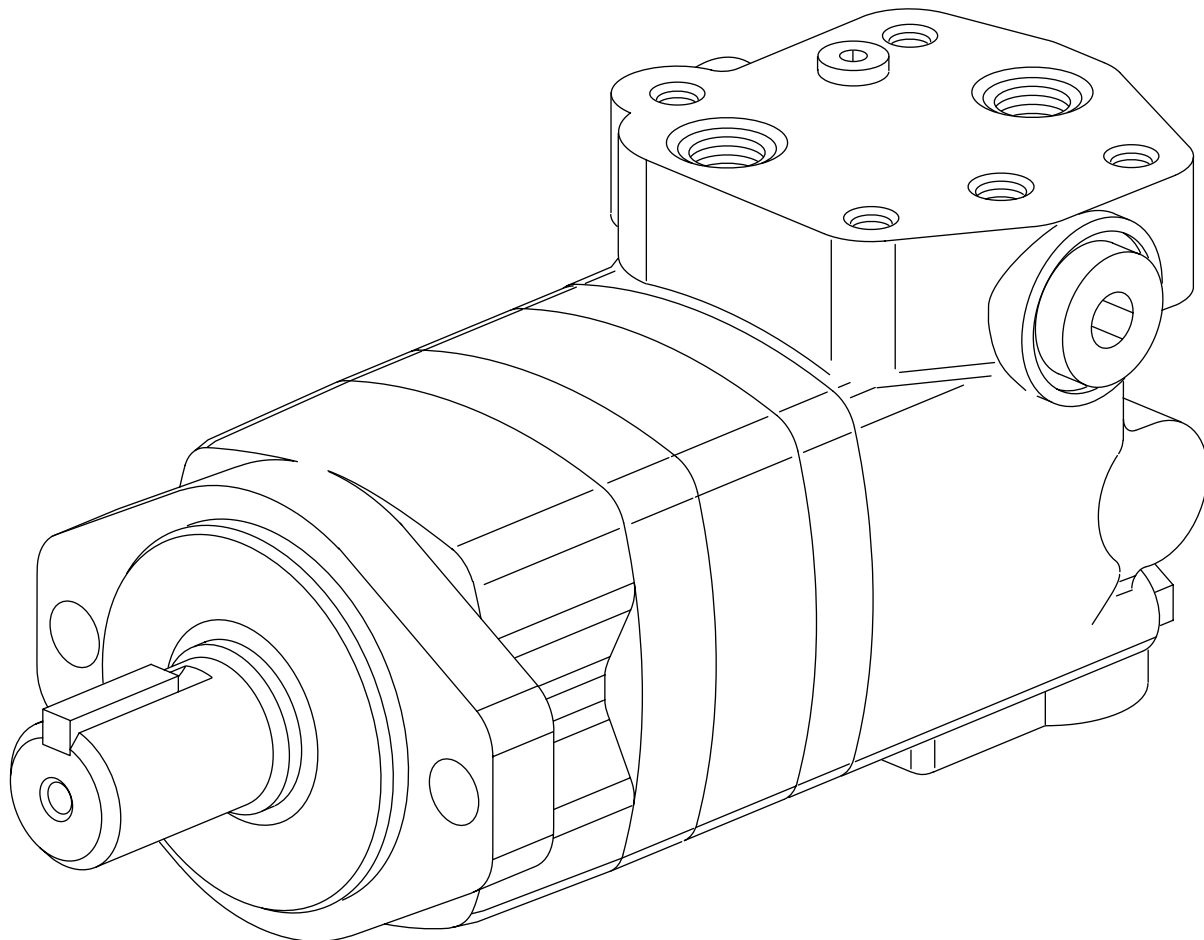


Char-Lynn®
Hydraulic Motor

No. 6-134
May, 1999



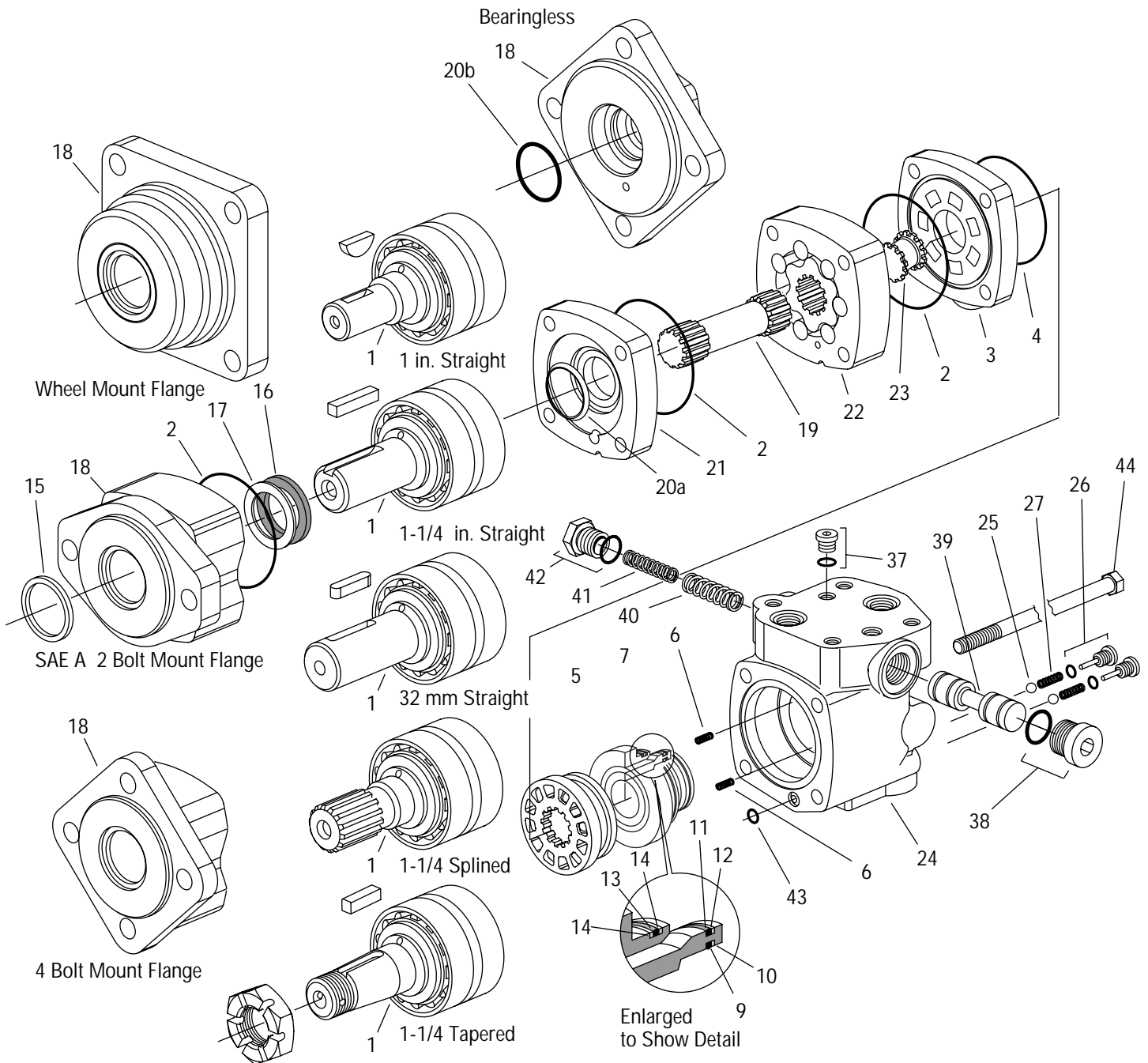
Parts Information



2000 Series — Two Speed
Disc Valve Geroler® Motor

001

Displacement cm ³ /r [in ³ /r]	Drive — Ref. No. 19		Geroler® — Ref. No. 22		Bolt — Ref. No. 44 Standard/Wheel		Bolt — Ref. No. 44 Bearingless	
	Part No.	Length mm [inch]	Part No.	Width mm [inch]	Part No.	Length mm [in.]	Part No.	Length mm [in.]
80 [4.9]	21371-009	76,2 [3.00]	21625-001	17,8 [.70]	14384-010	154,9 [6.10]	14384-006	135,4 [5.33]
100 [6.2]	21371-010	80,8 [3.18]	21625-002	22,5 [.88]	14384-020	159,8 [6.29]	14384-007	138,4 [5.45]
130 [8.0]	21371-004	87,2 [3.43]	21625-003	28,9 [1.14]	14384-012	164,5 [6.48]	14384-008	144,8 [5.70]
155 [9.6]	21371-004	87,2 [3.43]	21625-004	28,9 [1.14]	14384-012	164,5 [6.48]	14384-008	144,8 [5.70]
195 [11.9]	21371-005	94,0 [3.70]	21625-005	35,6 [1.40]	14384-021	172,5 [6.79]	14384-010	154,9 [6.10]
245 [14.9]	21371-006	103,1 [4.06]	21625-006	44,7 [1.76]	14384-014	182,4 [7.18]	14384-012	164,5 [6.48]
305 [18.7]	21371-007	114,6 [4.51]	21625-007	56,0 [2.21]	14384-015	191,5 [7.54]	14384-021	172,5 [6.79]
395 [24.0]	21371-008	130,4 [5.13]	21625-008	72,0 [2.83]	14384-022	208,8 [8.22]	14384-015	191,5 [7.54]
490 [29.8]	21371-012	147,9 [5.82]	21625-010	89,4 [3.52]	14384-032	226,3 [8.91]	—	—



2000 Series — Two Speed Parts List

Ref. No.	Part Number	Description	Quantity Standard	Wheel	Bearingless
1	21618-001	Shaft and Bearing (1 inch Straight)	1	1	
	14193-000	Key (for 1 inch Straight)	1	1	
	21618-002	Shaft and Bearing (1-1/4 inch Straight)	1	1	
	14392-008	Key (for 1-1/4 inch Straight)	1	1	
	21618-003	Shaft and Bearing (1-1/4 inch Tapered)	1	1	
	14392-006	Key (for 1-1/4 inch Tapered)	1	1	
	14163-000	Nut (for 1-1/4 inch Tapered)	1	1	
	21618-004	Shaft and Bearing (1-1/4 inch Splined)	1	1	
	21618-023	Shaft and Bearing (32 mm Straight)	1	1	
	14460-005	Key (for 32 mm Straight)	1	1	
OX 2	14559-006	Seal 76 mm [3 in.] I.D.	3	3	2
3	21722-000	Plate, Valve	1	1	1
OX 4	250002-039	Seal	1	1	1
5	23047-000	Valve	1	1	1
6	7383-000	Spring	2	2	2
7	21601-000	Balance Ring S/A (w/Pins 2)	1	1	1
OX 9	250001-024	O-ring	1	1	
OX 10	14654-023	Ring, Back-up	1	1	1
OX 11	250001-028	O-ring	1	1	1
OX 12	14654-028	Ring, Back-up	1	1	1
OX 13	250001-031	O-ring	1	1	1
OX 14	14654-031	Ring Back-up	2	2	2
X 15	9121-001	Seal, Dust	1	1	
X 16	9057-009	Seal, Shaft	1	1	1
X 17	7382-000	Ring, Back-up	1	1	1
18	21578-001	Housing, Bearing (Std. 2 Bolt SAE B 101,6 [4.00] Pilot Dia.) (Not Shown)	1		
	21578-003	Housing, Bearing (Wheel 4 Bolt 107,9 [4.25] Pilot Dia.)		1	
	21578-004	Housing, Bearing (2 Bolt SAE A 82,5 [3.25] Pilot Dia.)	1		
	21578-005	Housing, Bearing (4 Bolt 82,5 [3.25] Pilot Dia.)	1		
	21578-008	Housing, Bearing (4 Bolt Magneto 82,5 [3.25] Pilot Dia.) (Not Shown)	1		
	22382-000	Flange, Mounting (Bearingless 101,6 [4.00] Pilot Dia.)			1
19	*	Drive	1	1	1
X 20a	9050-000	Seal, Face	1	1	
O 20b	15127-000	O-ring			1
21	22026-000	Wear Plate	1	1	
22	*	Geroler®	1	1	1
23	8433-000	Drive, Main	1	1	1
24	21602-001	Valve, Housing S/A (7/8-14 O-ring Ports (2) 7/16-20 Pilot Port)	1	1	1
25	18026-000	Ball, Steel	2	2	2
26	8350-000	Plug/ O-ring	2	2	2
OX	250003-903	O-ring	2	2	2

Continued on Page 4
* See Chart on Page 2

2000 Series — Two Speed

Continued from Page 3

27	6464-000	Spring, Compression	2	2	2
37	9072-003	Plug/O-ring	1	1	1
OX	250003-904	O-ring	1	1	1
38	9072-006	Plug/O-ring	1	1	1
OX	250003-908	O-ring	1	1	1
39	220449-000	Spool, Control	1	1	1
40	230304-000	Spring, Compression	1	1	1
41	230305-000	Spring, Compression	1	1	1
42	9151-002	Plug/O-ring	1	1	1
OX	250003-908	O-ring	1	1	1
OX 43	250002-012	O-ring	1	1	1
44	*	Bolt	4	4	4
X	61267-000	Seal Kit for Standard and Wheel Motors			
O	61266-000	Seal Kit for Bearingless Motors			
X	61274-000	Seal Kit for Standard and Wheel Motors (Viton)			

* See Chart on Page 2

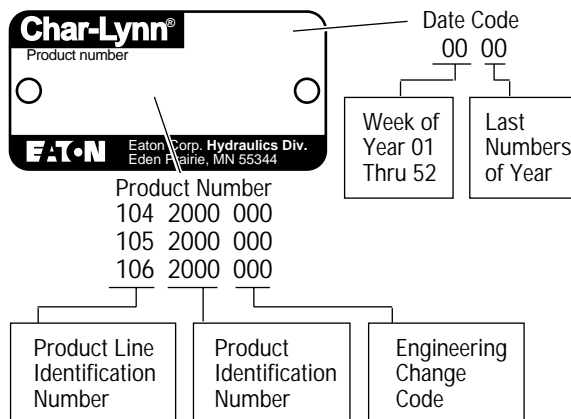
How to Order Replacement Parts

Each Order Must Include the Following:

1. Product Number
2. Date Code
3. Part Name
4. Part Number
5. Quantity of Parts

For More Detailed Information Contact Eaton Corp. Hydraulics Division 15151 Highway 5 Eden Prairie, MN 55344.

- Specifications and performance data, Catalog No. 11-878
- When servicing 2000 Series — Two Speed Motors refer to Repair Information No. 7-131. This repair manual lists Tools required, and step by step disassembly and reassembly procedures.



Eaton Corporation
Hydraulics Division
15151 Hwy. 5
Eden Prairie, MN 55344
Telephone: 612/937-7254
Fax: 612/937-7130

Eaton Ltd.
Hydraulics Division
Glenrothes, Fife
Scotland, KY7 4NW
Telephone: [+44] (0)1592-771-771
Fax: [+44] (0)1592-773-184

Eaton B.V.
Boeing Avenue 11
1119 PC Schiphol-Rijk
The Netherlands
Telephone: [+31] (0)20-655 6776
Fax: [+31] (0)20-655 6800

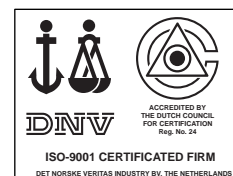
Sumitomo Eaton Hydraulic Co.
8 Temasek Blvd.
42-01 Suntec Tower Three
Singapore 03988
Telephone: [+65] 832-7727
Fax: [+65] 832-7733

Sumitomo Eaton
Hydraulic Company Ltd.
Ooi-Cho Kameoka-Shi
621-0017 Kyoto
Japan
Telephone: [+81] 771-22-9601
Fax: [+81] 771-29-2020

Eaton Ltd.
7th Floor, Woo Duk Building
832-2 Yeoksam-Dong, Kangnam-Ku
Seoul 135-750
Korea
Telephone: [+82] 2-557-0595
Fax: [+82] 2-557-1634

Eaton Hydraulics (Shanghai) Co. Ltd.
388 Aidu Road, Waigaogiao FTZ
Pudong New Area
Shanghai 200137
Peoples Republic of China
Telephone: [+86] 21-5046 0758
Fax: [+86] 21-5046 0767

Jining Eaton Hydraulic Co. Ltd.
6 Ji Da Road
Jining City
Shandong Province 272131
Peoples Republic of China
Telephone: [+86] 537-2221288
Fax: [+86] 537-2221557



Quality System Certified
Products in this catalog are manufactured
in an ISO-9001-certified site.