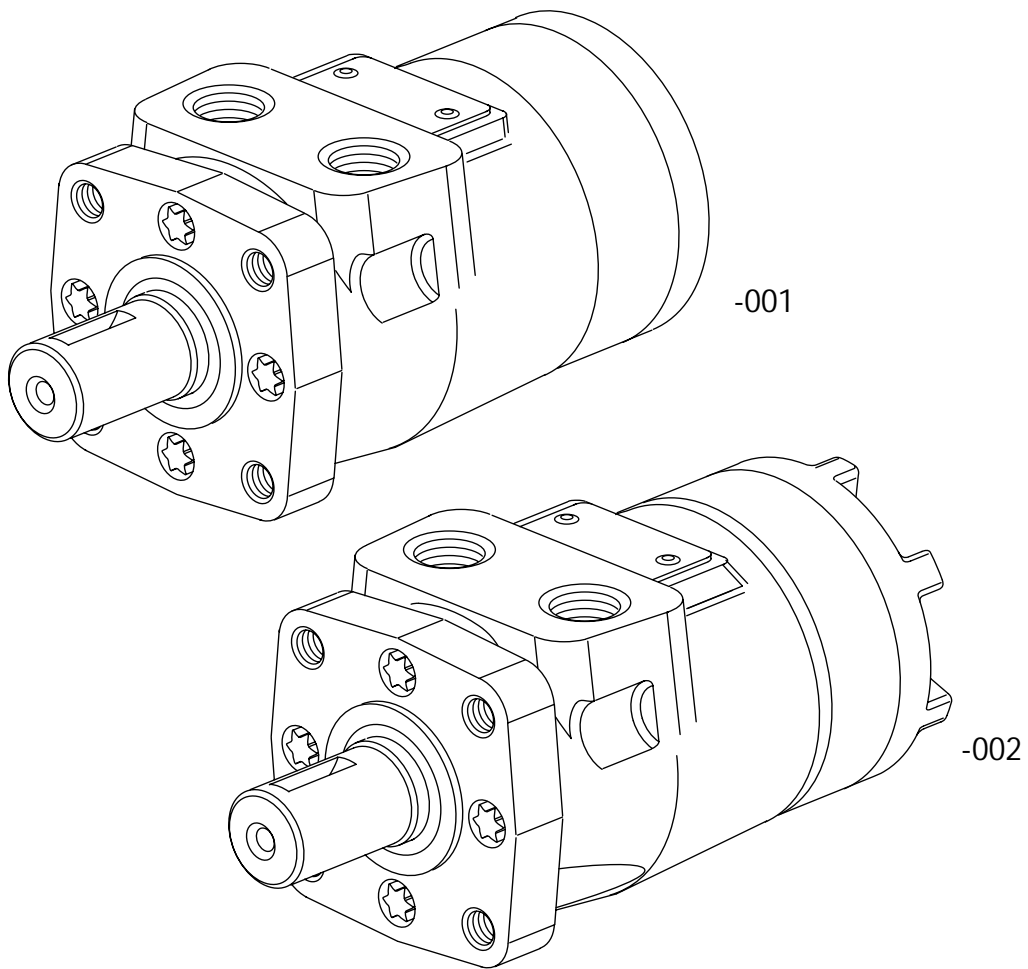


Char-Lynn[®] Hydraulic Motor

No. 6-145
January, 1995



Parts Information

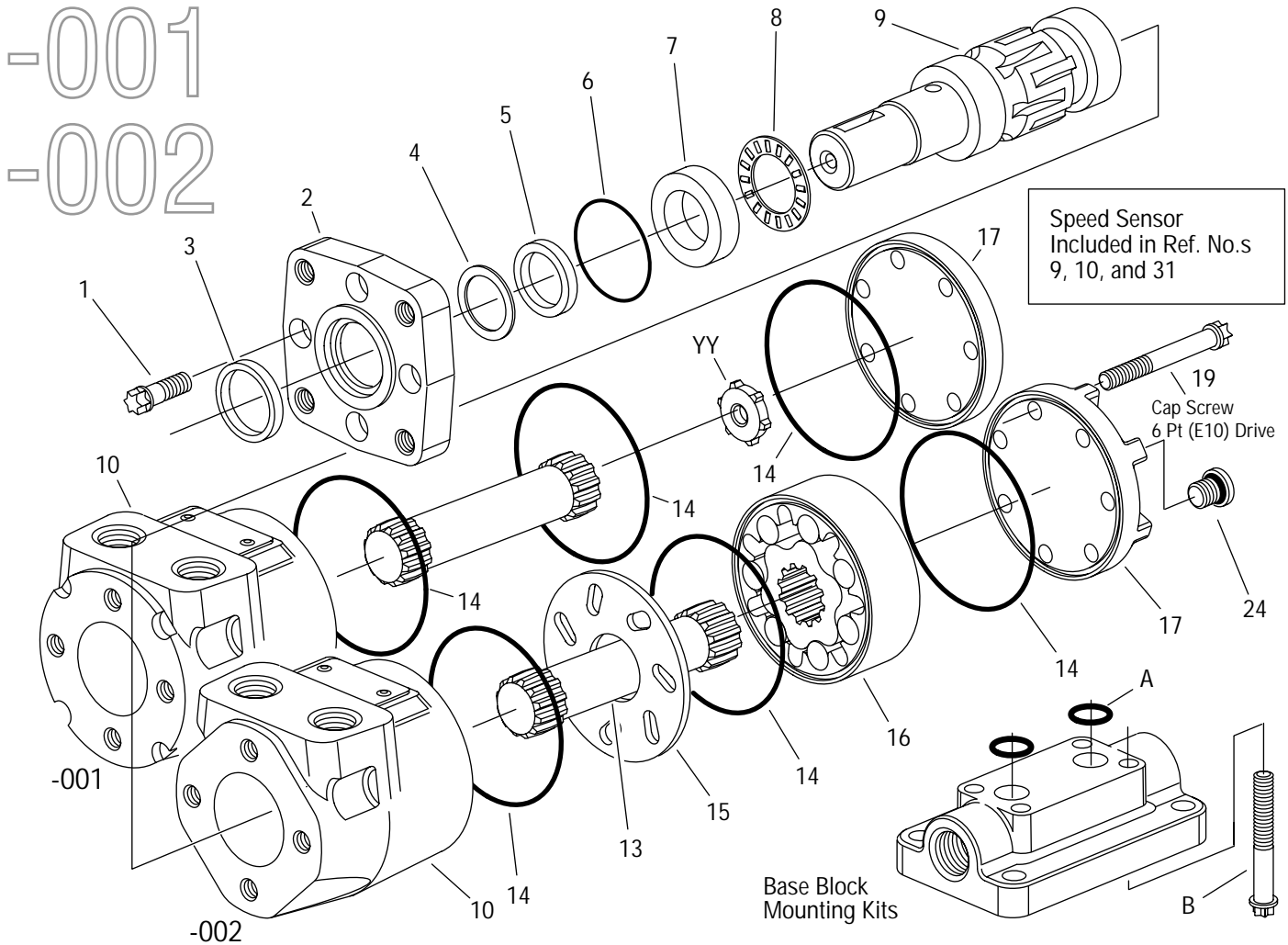


R Series
General Purpose Geroler[®] Motor

001 002

R Series Parts Dwg/List

Displ. cm ³ /r [in ³ /r]	-002		-002 -001		-002 -001	
	Ref. No. 13	Ref. No. 16	Ref. No. 19			
	Drive	Length mm [in.]	Geroler®	Width mm [in.]	Screw, Cap	Length mm [in.]
36 [2.2]	602-000	76,2 [3.00]	22801-001	6,6 [.26]	16294-150	38,1 [1.50]
49 [3.0]	201111-001	78,7 [3.10]	22801-002	8,9 [.36]	16294-162	41,1 [1.62]
66 [4.0]	616-000	81,8 [3.22]	22801-003	11,9 [.47]	16294-175	44,5 [1.75]
80 [4.9]	201111-002	84,6 [3.33]	22801-004	14,7 [.58]	16294-188	47,8 [1.88]
102 [6.2]	201111-003	88,6 [3.49]	22801-005	18,5 [.73]	16294-200	50,8 [2.00]
131 [8.0]	201111-004	94,0 [3.70]	22801-006	23,9 [.94]	16294-225	57,2 [2.25]
157 [9.6]	201111-005	90,8 [3.90]	22801-007	28,9 [1.14]	16294-238	60,5 [2.38]
195 [11.9]	201111-006	105,7 [4.16]	22801-008	35,6 [1.40]	16294-262	66,5 [2.62]
244 [14.9]	201111-007	114,8 [4.52]	22801-009	44,5 [1.76]	16294-300	76,2 [3.00]
306 [18.7]	201111-008	126,2 [4.97]	22801-010	56,1 [2.21]	16294-350	88,9 [3.50]
370 [22.6]	201111-009	137,9 [5.43]	22801-012	67,8 [2.66]	16294-400	101,6 [4.00]



All R -002 parts are interchangeable with R -001 parts except: End Cap (seal groove change), housing, section seals, drives and drive spacer. Note: Each displacement in the R -002 has its own unique drive with no spacer required.

R Series Parts Dwg/List

Ref. No.	-002		-001		Description	Quantity
	Part No.	Part No.	Part No.	Part No.		
1	16292-088	16292-088			Screw, Cap (6 Point (E10) Drive 5/16-24 x 7/8)	4
2	22000-001	22000-001			Flange Mounting (2 Bolt)	1
	22000-002	22000-002			Flange Mounting (4 Bolt) 3/8-16 UNC	1
	22000-006	22000-006			Flange Mounting (4 Bolt) M10 x 1,5	1
	22000-005	22000-005			Flange Mounting (4 Bolt Magneto)	1
X 3	9121-002	9121-002			Seal, Exclusion	1
X 4	22002-000	22002-000			Washer, Backup	1
X 5	9057-014	9057-014			Seal, Pressure	1
X 6	9091-001	9091-001			Seal	1
7	7462-000	7462-000			Race, Thrust Bearing	1
8	7537-000	7537-000			Bearing, Thrust Needle	1
9	7360-001	7360-001			Shaft, Output (1 in. Dia. Straight with Woodruff Key Slot)	1
	220879-001				Shaft, Output (1 in. Dia. Straight with Woodruff Key Slot) — <i>Speed Sensor Shaft</i>	1
	7360-002	7360-002			Shaft, Output (SAE 6B Splined)	1
	7360-007	7360-007			Shaft, Output (1 in. Dia. Straight with .315 Dia. Crosshole)	1
	7360-008	7360-008			Shaft, Output (1 in. Dia. Straight with .406 Dia. Crosshole)	1
	7360-024	7360-024			Shaft, Output (25 mm Dia. Straight)	1
	7360-016	7360-016			Shaft, Output (7/8 in. Dia. SAE B 13 T Splined)	1
	7360-018	7360-018			Shaft, Output (1 in. Dia. Tapered — 37,1 [1.46] Max. Coupling Length)	1
	7360-037	7360-037			Shaft, Output (1 in. Dia. Tapered — 27,6 [1.08] Max. Coupling Length)	1
	14193-000	14193-000			Key, Woodruff (1 in. Dia. Straight Shaft)	1
	14193-000	14193-000			Key, Woodruff (for Tapered Shaft)	1
	14462-006	14462-006			Key, Straight (for 25 mm Dia. Shaft)	1
	14381-000	14381-000			Nut (for Tapered Shaft)	1
	10	201083-001	22807-001			Housing, 7/8-14 O-ring Ports
201382-001					Housing, 7/8-14 O-ring Ports — <i>Speed Sensor Housing</i>	1
201083-002		22807-002			Housing, 1/2 NPTF Ports	1
201083-003		22807-003			Housing, Manifold Ports (5/16-18 UNC)	1
201083-004		22807-004			Housing, Manifold Ports (M8 x 1,5)	1
201083-006		22807-006			Housing, (G 1/2 (BSP))	1
13	*	**			Drive	1
X 14	9086-005	250001-041			Seal	3
15	22808-000	22808-000			Plate, Spacer	1
16	*	*			Geroler	1
17	23986-001	22809-001			Cap, End (No Port)	1
	23986-002	22809-002			Cap, End (with Drain Port 7/16-20 O-ring)	1
	23986-003	22809-003			Cap, End (with Drain Port G 1/4 (BSP))	1
19	*	*			Screw, Cap (6 Point (E10) Drive 5/16-24)	7

Continued on Page 4

R Series

Continued from Page 3

Ref. No.	-002		-001		Description	
	Part No.	Part No.	Part No.	Part No.		
24	9072-003	9072-003			Plug/ O-ring (7/16-20 Drain Port)	1
X	250003-904	250003-904			O-ring for 7/16-20 Drain Port Plug	1
	9170-002	9170-002			Plug/O-ring (G 1/4 (BSP) Drain Port)	1
	—	—			O-ring for G 1/4 (BSP) Drain Port Plug	1
31	201137-001				Sensor, Speed — 127mm [5.0 in.] Lead Wire	1
YY	—	**			Spacer	0/1
	60564-000	60555-000			Seal Kit (Buna N) — Contains Parts Indicated by X Seal Kit (same as above with one exception - Shaft Seal is Viton®) Seal Kit (Viton) — Contains Parts Indicated by X (Part No.s Differ from those Shown)	
	60566-000	60556-000				
	60565-000					
Mounting Kit	123-1007	123-1007			Base Block Mounting Kit (1/2 NPTF Ports (Manifold Mount Motors Only))	
	123-1008	123-1008			Base Block Mounting Kit (7/8-14 O-ring Ports (Manifold Mount Motors Only))	
X A	15058-000	15058-000			Seal, O-ring (2)	
	B	267512-019	267512-019		Screw, Cap (5/16-18 Thread (4))	
		14474-003	14474-003		Screw, Cap (M8 x 1,5) Thread (4)	

Viton® is a Registered Trade Name of Dupont Corporation.

* See Chart (page 2)

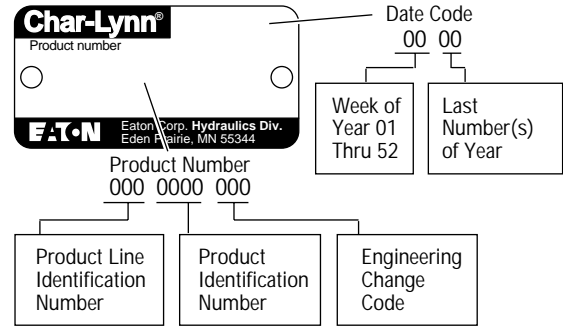
** See Chart (page 4)

Displ. cm ³ /r [in ³ /r]	-001		-001	
	Ref. No. 13 Drive	Length mm [in.]	Ref. No. YY Spacer	Width mm [in.]
36 [2.2]	602-000	76,2 [3.00]	—	—
49 [3.0]	602-000	76,2 [3.00]	6901-015	2,5 [.10]
66 [4.0]	616-000	81,8 [3.22]	—	—
80 [4.9]	616-000	81,8 [3.22]	6901-015	2,5 [.10]
102 [6.2]	22251-000	86,2 [3.39]	6901-015	2,5 [.10]
131 [8.0]	8664-000	91,7 [3.61]	6901-015	2,5 [.10]
157 [9.6]	22189-000	95,8 [3.77]	6901-015	2,5 [.10]
195 [11.9]	22190-000	102,0 [4.01]	6901-009	3,4 [.13]
244 [14.9]	22253-000	121,0 [4.76]	6901-009	3,4 [.13]
306 [18.7]	22191-000	110,5 [4.35]	6901-009	3,4 [.13]

R Series

For Additional Literature Contact Eaton Corp. Hydraulics Division 15151 Highway 5 Eden Prairie, MN 55344.

- Specifications and performance data, Catalog No. 11-103
- When servicing R Series Motors refer to Repair Information No. 7-142. This repair manual lists tools required, and step by step disassembly and reassembly procedures.



How to Order Replacement Parts

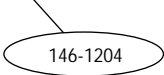
Each Order Must Include the Following:

1. Product Number
2. Date Code
3. Part Name
4. Part Number
5. Quantity of Parts

Product Numbers—R Series

Add three digit prefix —146—to four digit number from chart for complete product number—Example 146-1204.

Mounting	Shaft	Ports	Displ. cm ³ /r [in ³ /r] Product Number 146-xxxx										
			36 [2.2]	49 [3.0]	66 [4.0]	80 [4.9]	102 [6.2]	131 [8.0]	157 [9.6]	195 [11.9]	244 [14.9]	306 [18.7]	370 [22.6]
2 Bolt Flange	1 in. Straight w/Woodruff Key	7/8-14 O-ring	146-1041	-1042	-1043	-1044	-1045	-1046	-1047	-1048	-1049	-1050	—
		1/2 NPTF	146-1031	-1032	-1033	-1034	-1035	-1036	-1037	-1038	-1039	-1040	—
		Manifold	146-1051	-1052	-1053	-1054	-1055	-1056	-1057	-1058	-1059	-1060	—
	1 in. SAE 6B Splined	7/8-14 O-ring	146-1101	-1102	-1103	-1104	-1105	-1106	-1107	-1108	-1109	-1110	—
		1/2 NPTF	146-1091	-1092	-1093	-1094	-1095	-1096	-1097	-1098	-1099	-1100	—
		Manifold	146-1111	-1112	-1113	-1114	-1115	-1116	-1117	-1118	-1119	-1120	—
	1 in. Straight w/.31 Dia. Crosshole	7/8-14 O-ring	146-1121	-1122	-1123	-1124	-1125	-1126	-1127	—	—	—	—
		1/2 NPTF	146-1128	-1129	-1130	-1131	-1132	-1133	-1134	—	—	—	—
		Manifold	146-1135	-1136	-1137	-1138	-1139	-1140	-1141	—	—	—	—
	1 in. Straight w/.40 Dia. Crosshole	7/8-14 O-ring	146-1142	-1143	-1144	-1145	-1146	-1147	-1148	—	—	—	—
		1/2 NPTF	146-1149	-1150	-1151	-1152	-1153	-1154	-1155	—	—	—	—
		Manifold	146-1156	-1157	-1158	-1159	-1160	-1161	-1162	—	—	—	—
4 Bolt Flange	1 in. Straight w/Woodruff Key	7/8-14 O-ring	146-1011	-1012	-1013	-1014	-1015	-1016	-1017	-1018	-1019	-1020	—
		1/2 NPTF	146-1001	-1002	-1003	-1004	-1005	-1006	-1007	-1008	-1009	-1010	—
		Manifold	146-1021	-1022	-1023	-1024	-1025	-1026	-1027	-1028	-1029	-1030	—
	1 in. SAE 6B Splined	7/8-14 O-ring	146-1071	-1072	-1073	-1074	-1075	-1076	-1077	-1078	-1079	-1080	—
		1/2 NPTF	146-1061	-1062	-1063	-1064	-1065	-1066	-1067	-1068	-1069	-1070	—
		Manifold	146-1081	-1082	-1083	-1084	-1085	-1086	-1087	-1088	-1089	-1090	—
	1 in. Straight w/.31 Dia. Crosshole	7/8-14 O-ring	146-1163	-1164	-1165	-1166	-1167	-1168	-1169	—	—	—	—
		1/2 NPTF	146-1170	-1171	-1172	-1173	-1174	-1175	-1176	—	—	—	—
		Manifold	146-1177	-1178	-1179	-1180	-1181	-1182	-1183	—	—	—	—
	1 in. Straight w/.40 Dia. Crosshole	7/8-14 O-ring	146-1184	-1185	-1186	-1187	-1188	-1189	-1190	—	—	—	—
		1/2 NPTF	146-1191	-1192	-1193	-1194	-1195	-1196	-1197	—	—	—	—
		Manifold	146-1198	-1199	-1200	-1201	-1202	-1203	-1204	—	—	—	—

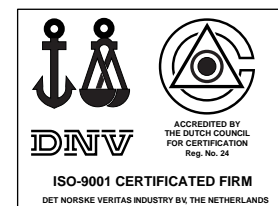


R Series

Eaton Corporation
Hydraulics Division
15151 Hwy. 5
Eden Prairie, MN 55344
Telephone 612/937-9800
Fax 612/937-7130

Eaton Ltd.
Hydraulics Division
Glenrothes, Fife
Scotland, KY7 4NW
Telephone 01-592-771-771
Fax 01-592-773-184

Eaton GmbH
Hydraulics Products
Am Schimmersfeld 7
40880 Ratingen, Germany
Telephone 02102-406-830
Fax 02102-406-800



Quality System Certified
Products in this catalog are manufactured
in an ISO-9001-certified site.

<http://www.eaton.com>

Form No. 6-145

Copyright Eaton Corporation, 1991, 1993, and 1995
All Rights Reserved
Printed in USA

The Eaton logo, featuring the word "EATON" in a bold, black, sans-serif font. The letter "O" is stylized with a dot in the center.