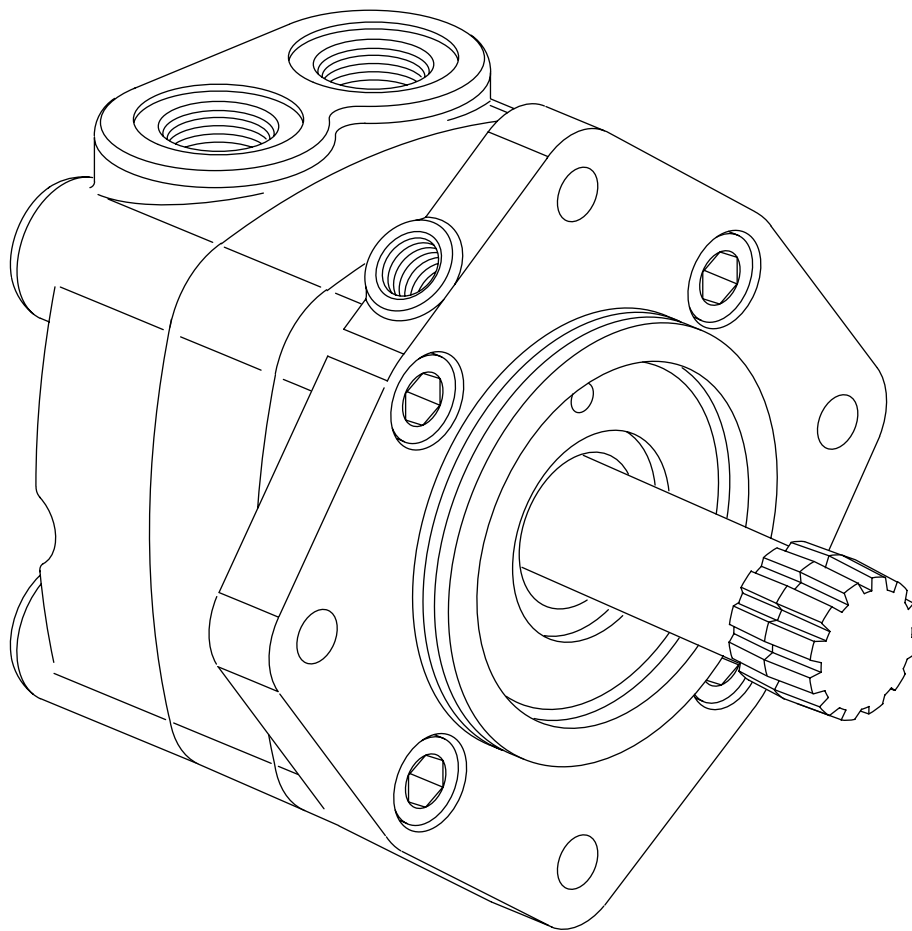




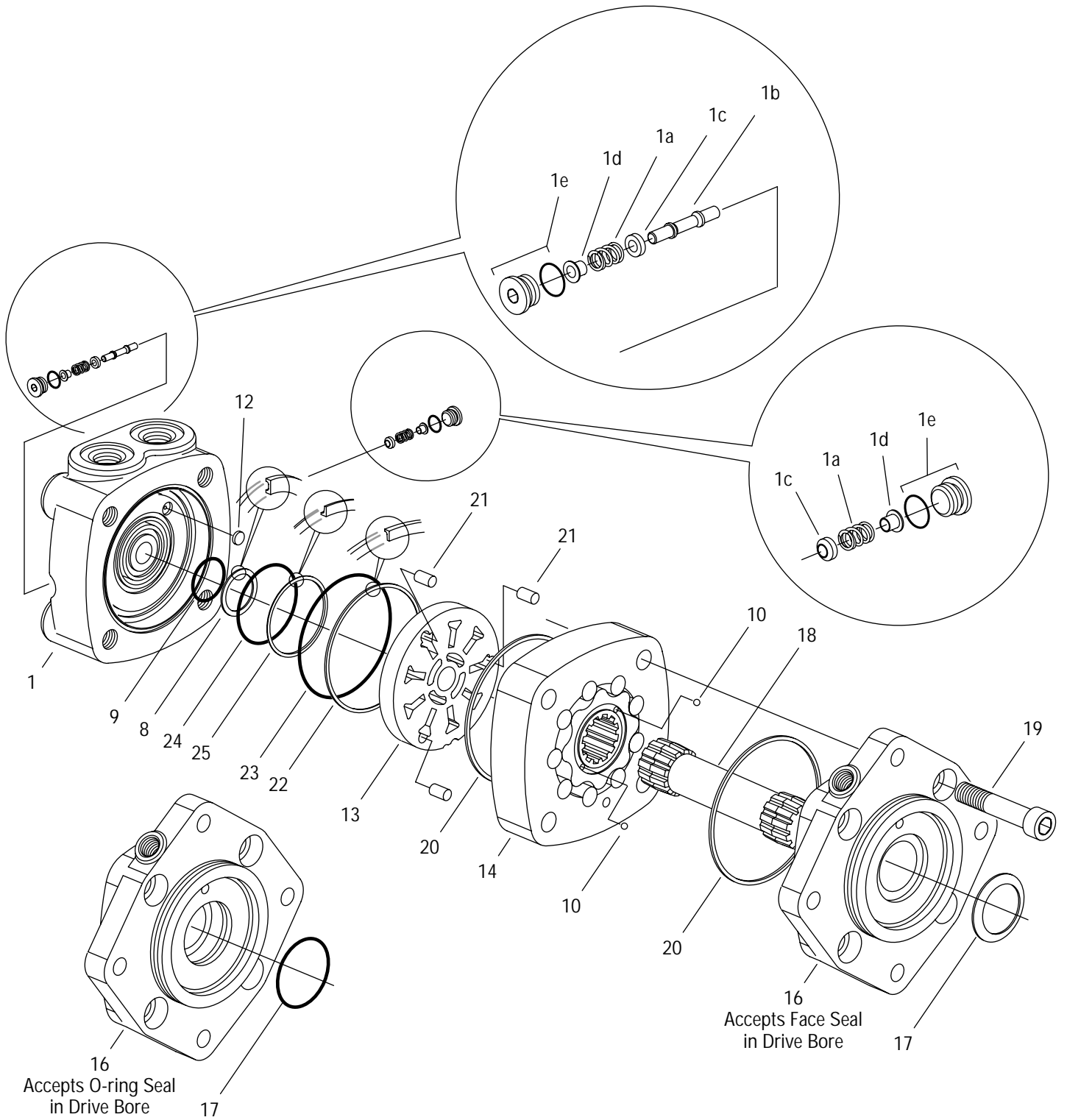
Parts Information



25 Series
VIS Bearingless Motor

001 002

25 Series Parts Dwg



25 Series Parts List

Ref. No.	Part No.	Description	Quantity
1	22961-003	End Cap Assembly 1-1/16-12 O-ring Ports (2)	1
1a	230079-000	Spring	2
1b	8566-000	Piston Shuttle	1
1c	8567-000	Poppet	2
1d	8755-000	Sleeve, Dash Pot	2
1e	9266-006	Plug/O-ring Assembly 9/16-18 UNF	2
X	250003-906	O-ring for 9/16-18 UNF Plug	2
X 8	14516-000	Ring, Back-up	1
X 9	14502-123	O-ring	1
10	285020-060	Ball	2
12	23079-000	Disk	1
13	22960-000	Valve Plate S/A	1
14	*	Geroler®	1
16	22733-000	Flange, Mounting — O-ring Seal Groove in Drive Bore	1
	201669-001	Flange, Mounting — Drive Bore Accepts Face Seal	1
17	9080-001	Shaft Face Seal — for 201669-001 Mounting Flange	1
X	15128-000	O-ring — for 22733 Mounting Flange	1
18	*	Drive	1
19	*	Screw, Cap	4
X 20	250052-047	Seal, Square Cut	2
21	95903-062	Dowel	3
X 22	14514-000	Ring, Back-up	1
X 23	8765-154	O-ring	1
X 24	14502-142	O-ring	1
X 25	14515-000	Ring, Back-up	1
	61275-000	Seal Kit — Contains Parts Indicated by X. Note: Shaft Face Seal 9080-001 NOT Included.	

* See Chart Below

Displacement cm ³ /r [in ³ /r]	Ref. No. 14		Ref. No. 18		Item Ref. No. 19	
	Geroler®	Width mm [inch]	Drive	Length mm [inch]	Screw, Cap Internal Hex	Length mm [inch]
361 [22]	22644-006	33,7 [1.32]	23021-006	122,0 [4.80]	14487-006	76,2 [3.00]
393 [24]	22644-004	36,7 [1.45]	23021-004	125,1 [4.97]	14487-006	76,2 [3.00]
492 [30]	22644-005	45,9 [1.81]	23021-005	134,3 [5.29]	14487-008	88,9 [3.50]

25 Series Geroler Motors

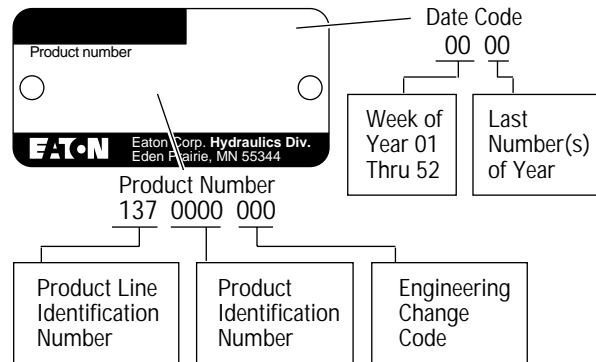
How to Order Replacement Parts

Each Order Must Include the Following:

1. Product Number
2. Date Code
3. Part Name
4. Part Number
5. Quantity of Parts

For More Detailed Information Contact Eaton Corp. Hydraulics Division 15151 Highway 5 Eden Prairie, MN 55344.

- When servicing 25 Series VIS Motors refer to Repair Information No. 7-149. This repair manual lists tools required, and step by step disassembly and reassembly procedures.



Eaton Corporation
Hydraulics Division
15151 Hwy. 5
Eden Prairie, MN 55344
Telephone: 612/937-7254
Fax: 612/937-7130

Eaton Ltd.
Hydraulics Division
Glenrothes, Fife
Scotland, KY7 4NW
Telephone: +44 (0)1592-771-771
Fax: +44 (0)1592-773-184

Eaton GmbH
Hydraulics Products
Am Schimmersfeld 7
40880 Ratingen, Germany
Telephone: +49 (0)2102-406-830
Fax: +49 (0)2102-406-800



Quality System Certified
Products in this catalog are manufactured in an ISO-9001-certified site.

<http://www.eaton.com>

Copyright Eaton Corporation, 1996
All Rights Reserved
Printed in USA

Form No. 6-151

