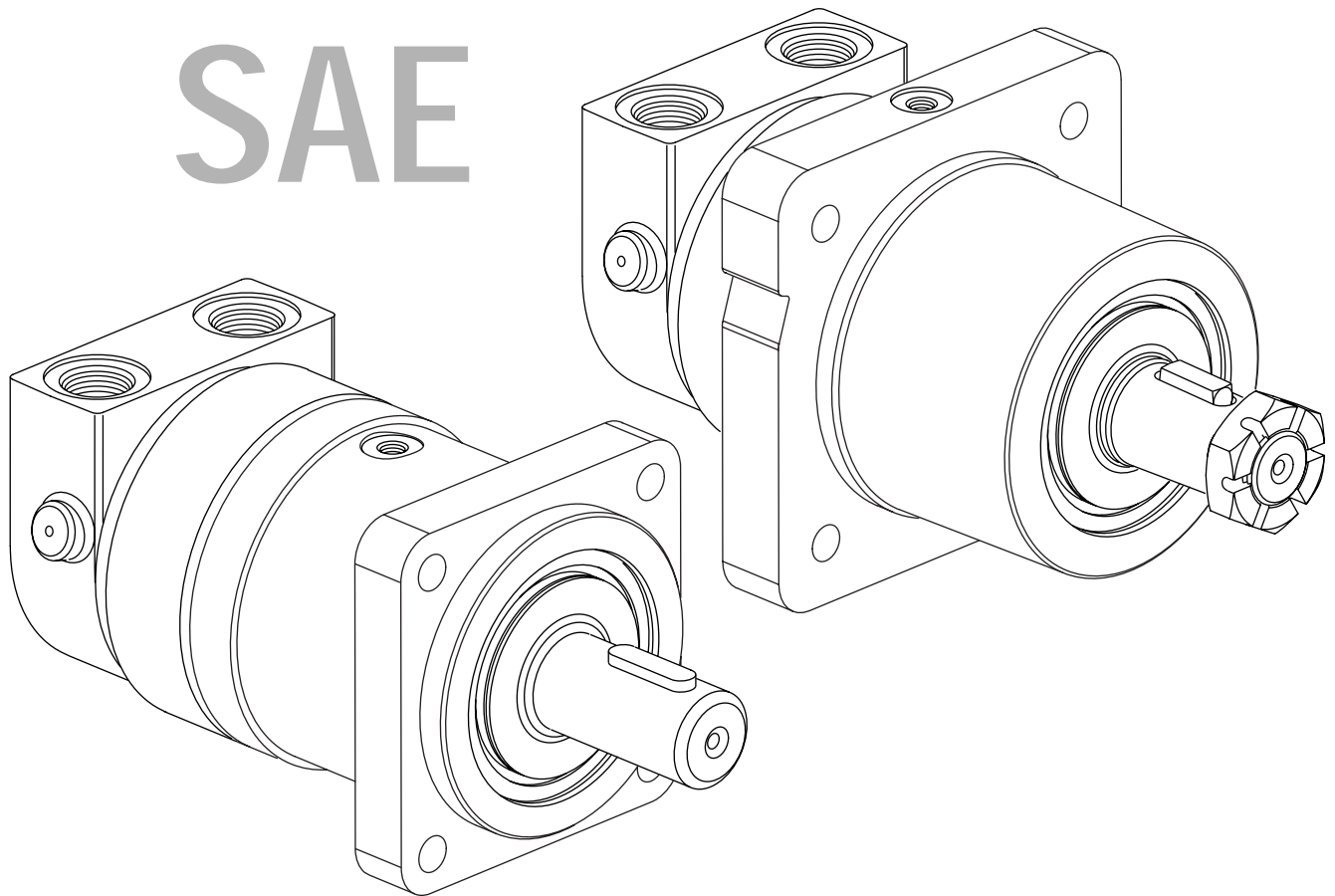




Parts Information

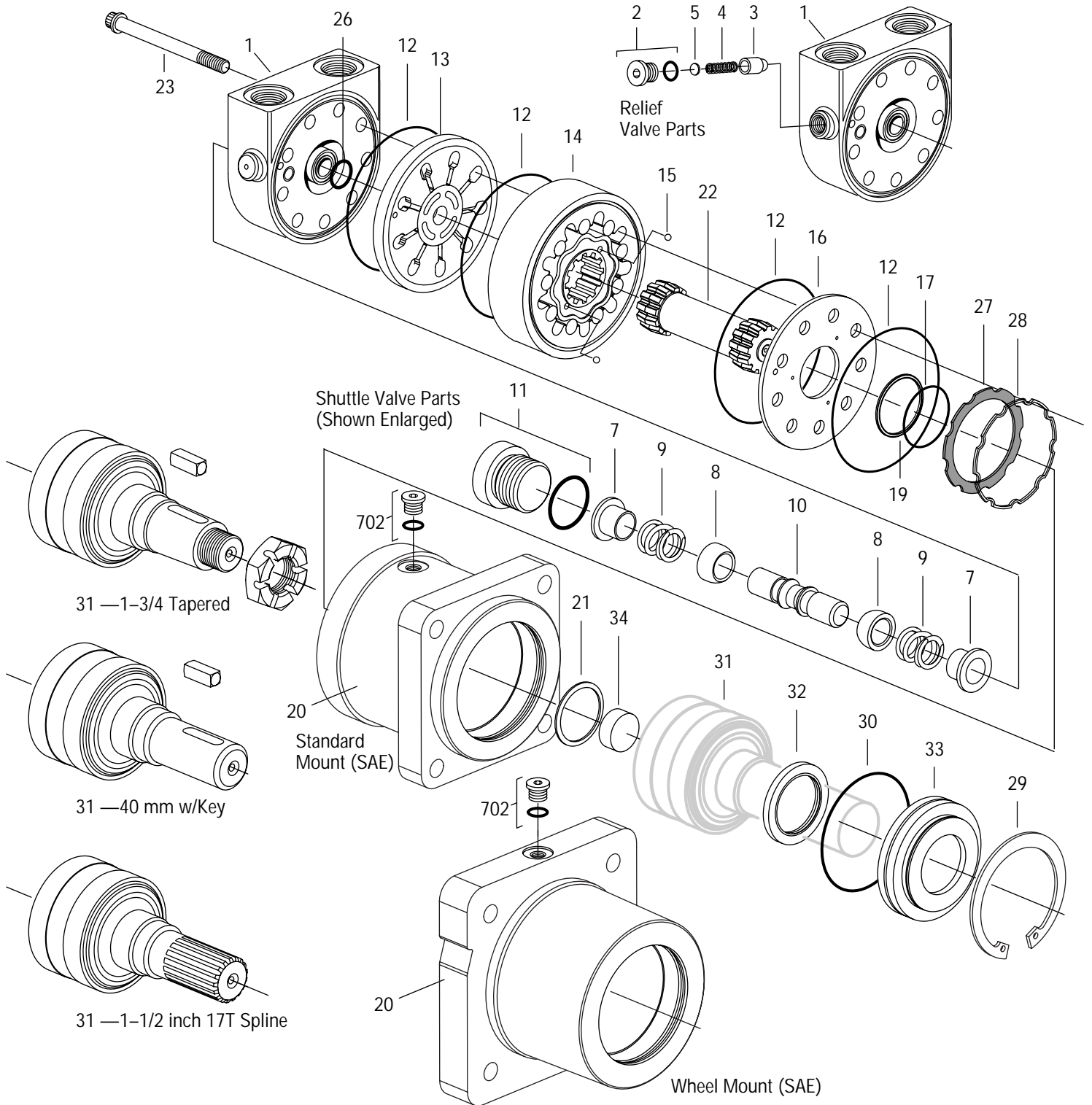
SAE



Series VIS 30
Standard and Wheel Motors (SAE)

002

Series VIS 30 — Parts Dwg



Ref. No.	Part No.	Description	Quantity	
1	201519-003	End Cap Assembly 1-5/16-12 O-ring Ports (2)	1	
	201737-001	End Cap Assembly 1-5/16-12 O-ring Ports (2) w/Relief Valve Bore	1	
2	9072-004	Plug/O-ring (for relief valve unit only)	1	
X	250003-905	O-ring	1	
3	201495-004	Poppet (for relief valve unit only)	1	
4	17024-026	Spring (for relief valve unit only)	1	
5	16048-500	Shim (for relief valve unit only)	A/R	
7	8755-000	Sleeve, Dash Pot	2	
8	8567-000	Poppet	2	
9	230079-000	Spring	2	
10	201494-001	Piston, Shuttle	1	
11	9266-006	Plug/O-ring Sub Assembly	1	
X	250003-906	O-ring	1	
X	14559-014	Seal	4	
13	201946-001	Plate, Valve	1	
14	*	Geroler®	1	
15	285020-060	Ball	2	
16	201273-001	Plate, Balance	1	
X	17	250002-032	O-ring	1
X	19	14693-001	Ring, Back-up	1
	20	202245-008	Flange, Mounting (Standard) — 9/16-18 O-ring Case Drain Port	1
		202245-009	Flange, Mounting (Wheel) — 9/16-18 O-ring Case Drain Port	1
X	21	9080-001	Seal, Face	1
	22	*	Drive	1
	23	*	Screw, Cap 12 pt.	9
X	26	250183-002	O-ring	1
X	27	14720-002	Seal (for relief valve unit only)	1
X	28	14713-002	Ring, Back-up	1
	29	16077-063	Ring, Retaining	1
X	30	250002-044	O-ring	1
	31	202241-010	Shaft S/A (40 mm Straight)	1
		14458-006	Key (for 40 mm Straight)	1
		202241-009	Shaft S/A (1-1/2 Inch 17 Tooth Splined)	1
		202241-006	Shaft S/A (1-3/4 Inch Tapered)	1
		14394-007	Key (for 1-3/4 Inch Tapered)	1
		14230-000	Nut (for 1-3/4 Inch Tapered)	1
X	32	14812-001	Seal, Shaft	1
	33	202243-001	Front Retainer	1
	34	202879-001	Spacer, Drive	1
702	9072-005	Plug/O-ring S/A	1	
	250003-906	O-ring	1	
	61338-000	Seal Kit — Contains Parts Indicated by X		

* See Chart Below

A/R — As Required

Displacement cm ³ /r [in ³ /r]	Ref. No. 14 Geroler®	Width mm [inch]	Ref. No. 22 Drive	Length mm [inch]	Ref. No. 23 Screw, Cap	Length mm [inch]
246 [15.0]	201280-002	24,0 [.94]	201901-002	108,0 [4.25]	16326-425	107,9 [4.25]
323 [19.7]	201280-003	31,4 [1.24]	201901-003	114,8 [4.52]	16326-450	114,3 [4.50]
397 [24.2]	201280-005	38,6 [1.52]	201901-005	123,1 [4.85]	16326-475	120,6 [4.75]
492 [30.0]	201280-006	47,9 [1.89]	201901-006	131,3 [5.17]	16326-500	127,0 [5.00]
623 [38.0]	201280-007	60,7 [2.39]	201901-007	144,0 [5.67]	16326-550	139,7 [5.50]

Series VIS 30

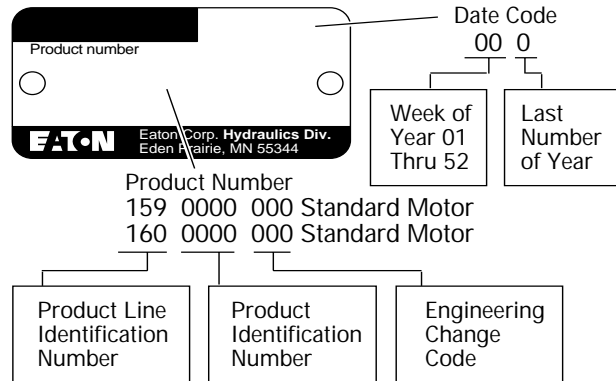
How to Order Replacement Parts

Each Order Must Include the Following:

- | | |
|-------------------|----------------------|
| 1. Product Number | 4. Part Number |
| 2. Date Code | 5. Quantity of Parts |
| 3. Part Name | |

For More Detailed Information Contact Eaton Corp. Hydraulics Division 15151 Highway 5 Eden Prairie, MN 55344.

- Specifications and performance data, Catalog No. 11-112
- When servicing 30 Series Motors refer to Repair Information No. 7-153. This repair manual lists tools required, and step by step disassembly and reassembly procedures.



Eaton Corporation
Hydraulics Division
 15151 Hwy. 5
 Eden Prairie, MN 55344
 Telephone: 612/937-7254
 Fax: 612/937-7130

Eaton Ltd.
Hydraulics Division
 Glenrothes, Fife
 Scotland, KY7 4NW
 Telephone: [+44] (0)1592-771-771
 Fax: [+44] (0)1592-773-184

Eaton B.V.
 Boeing Avenue 11
 1119 PC Schiphol-Rijk
 The Netherlands
 Telephone: [+31] (0)20-655 6776
 Fax: [+31] (0)20-655 6800

Sumitomo Eaton Hydraulic Co.
 8 Temasek Blvd.
 42-01 Suntec Tower Three
 Singapore 03988
 Telephone: [+65] 832-7727
 Fax: [+65] 832-7733

Sumitomo Eaton
 Hydraulic Company Ltd.
 Ooi-Cho Kameoka-Shi
 621-0017 Kyoto
 Japan
 Telephone: [+81] 771-22-9601
 Fax: [+81] 771-29-2020

Eaton Ltd.
 7th Floor, Woo Duk Building
 832-2 Yeoksam-Dong, Kangnam-Ku
 Seoul 135-750
 Korea
 Telephone: [+82] 2-557-0595
 Fax: [+82] 2-557-1634

Eaton Hydraulics (Shanghai) Co. Ltd.
 388 Aidu Road, Waigaogiao FTZ
 Pudong New Area
 Shanghai 200137
 Peoples Republic of China
 Telephone: [+86] 21-5046 0758
 Fax: [+86] 21-5046 0767

Jining Eaton Hydraulic Co. Ltd.
 6 Ji Da Road
 Jining City
 Shandong Province 272131
 Peoples Republic of China
 Telephone: [+86] 537-2221288
 Fax: [+86] 537-2221557



Quality System Certified
 Products in this catalog are manufactured
 in an ISO-9001-certified site.