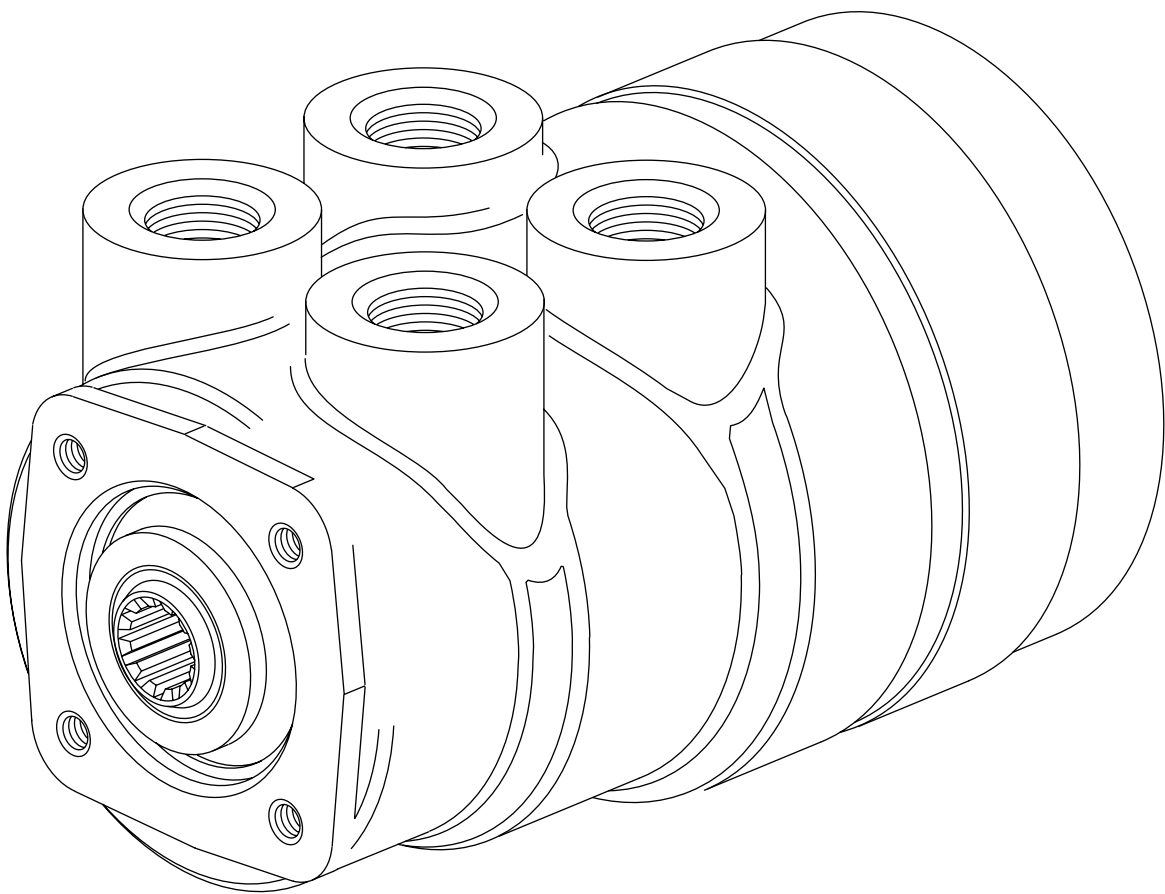


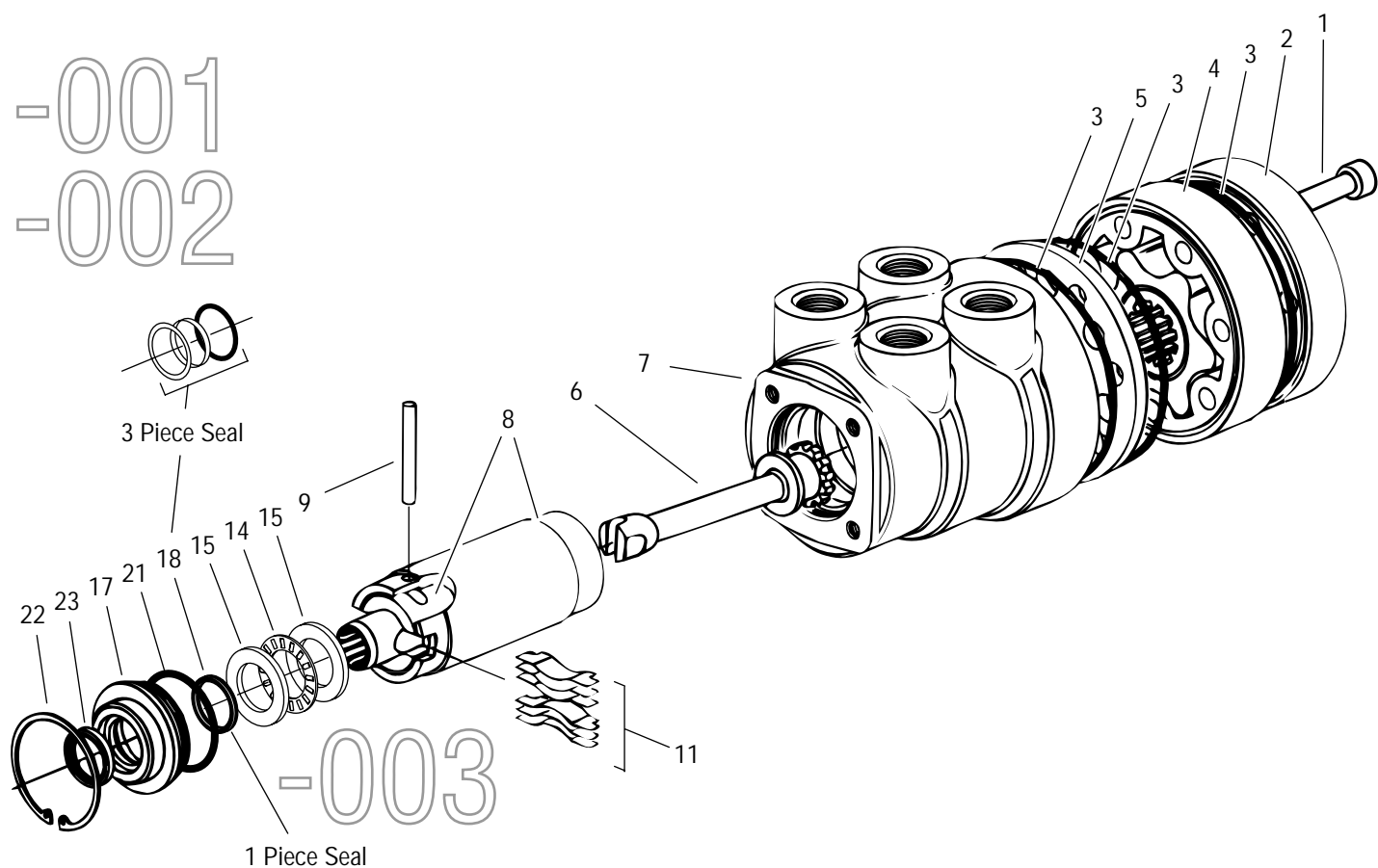


Parts Information



25 Series
Steering Control Units

001 002 003



Actual Displacement cm ³ /r [in ³ /r]	Ref. No. 4 Gerotor		Ref. No.1 Socket Head Cap Screw	
	Part No.	Width mm [in.]	Part No.	Length mm [in.]
490 [30]	21519-001	23,1 [.91]	16148-824	63,5 [2.50]
625 [38]	21519-002	29,2 [1.15]	16148-826	69,8 [2.75]
795 [48]	21519-003	36,8 [1.45]	16148-830	76,2 [3.00]
985 [60]	21519-004	46,0 [1.81]	16148-834	88,9 [3.50]
1230 [75]	21519-005	57,6 [2.27]	16148-836	95,2 [3.75]

Ref. No.	Part Number	Description	Qty. Per Unit
1	*	Screw, Cap	7
2	21509-000	Cap, End	1
X 3	250001-048	Seal, O-ring 120,4 mm [4.74 in.] ID	3
4	*	Gerotor	1
5	21847-000	Plate, Wear	1
6	21514-000	Drive	1
7	NSS	Housing	1
8	NSS	Sleeve, Control	1
	NSS	Spool, Control	1
9	14451-000	Pin, Centering	1
* * 11	NSS	Spring, Centering	6
14	5544-000	Bearing, Needle Thrust	1
15	8329-000	Bearing Race	2
17	21513-000	Retainer, Front	1
X 18	9233-001	Seal, 25,4 mm [1.00 in.] ID	1
X 21	250001-136	Seal, O-ring, 50,5 mm [1.99 in.] ID	1
22	14296-000	Ring, Retaining	1
X 23	844-000	Seal, Dust, 31,7 mm [1.25 in.] OD	1
	64468-000	Seal Kit — Contains Parts Indicated by X.	

* — See Chart on Page 2 for Information on Specific Models

** — Ref. 11 Sold only in Kit form, Spring Kit No. 64428-001 Includes 8 Springs, 6 Springs are Required for 25 Series Steering Control Units (8 Springs Used on 35 Series and 40 Series Open Center Steering Control Units Only).

NSS — Not Sold Separately

25 Series Steering Control Units

25 Series SCU

System	Signal	Load Circuit	Rated Flow l/min [GPM]	O-ring Port Size	Actual Displacement cm ³ /r [in ³ /r] — Product Number				
					490 [30]	625 [38]	795 [48]	985 [60]	1230 [75]
Open Center	N/A	Non Load Reaction	95 [25]	1- 1/16-12	251-1001	251-1002	251-1003	251-1004	251-1005
Closed Center	N/A	Non Load Reaction	95 [25]	1- 1/16-12	252-1001	252-1002	252-1003	252-1004	252-1005
				1- 1/16-12	252-1008**	252-1009**	252-1012**	252-1013**	252-1006**
Load Sensing	Dynamic	Non Load Reaction	95 [25]	1- 1/16-12	253-1001	253-1002	253-1003	253-1004	253-1005

** Closed Center Units with Neutral Bleed
2,3 l/min [.6 GPM] at 172 bar [2500 PSI]

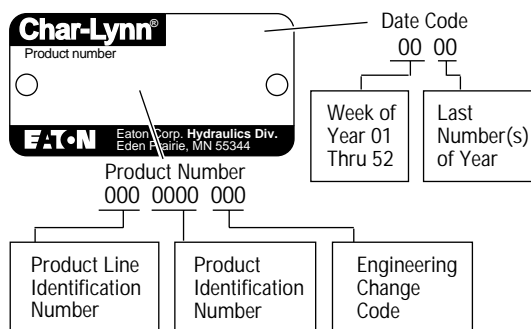
How to Order Replacement Parts

Each Order Must Include the Following:

1. Product Number
2. Date Code
3. Part Name
4. Part Number
5. Quantity of Parts

For More Detailed Information Contact Eaton Corp. Hydraulics Division 15151 Highway 5 Eden Prairie, MN 55344.

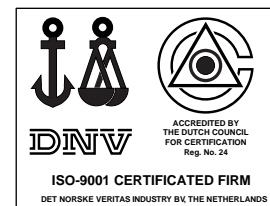
- Specifications and performance data, Catalog No. 11-872
- When servicing Steering Control Unit refer to Repair Information No. 7-306. This repair manual lists tools required, and step by step disassembly and reassembly procedures.



Eaton Corporation
Hydraulics Division
15151 Hwy. 5
Eden Prairie, MN 55344
Telephone 612/937-9800
Fax 612/937-7130

Eaton Ltd.
Hydraulics Division
Glenrothes, Fife
Scotland, KY7 4NW
Telephone 01-592-771-771
Fax 01-592-773-184

Eaton GmbH
Hydraulics Products
Am Schimmersfeld 7
40880 Ratingen, Germany
Telephone 02102-406-830
Fax 02102-406-800



Quality System Certified
Products in this catalog are manufactured
in an ISO-9001-certified site.

<http://www.eaton.com>

Copyright Eaton Corporation, 1987, 1993, 1995, and 1997
All Rights Reserved
Printed in USA

Form No. 6-225