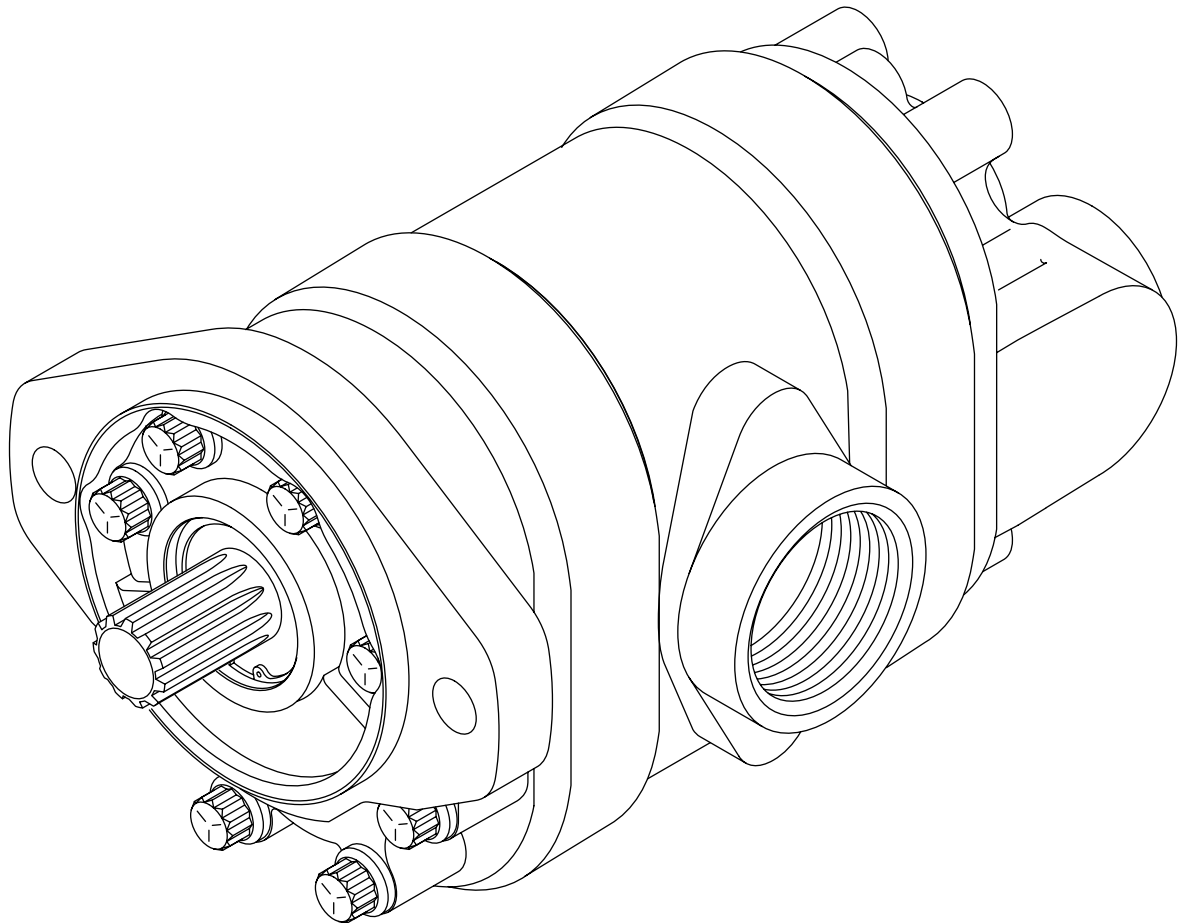


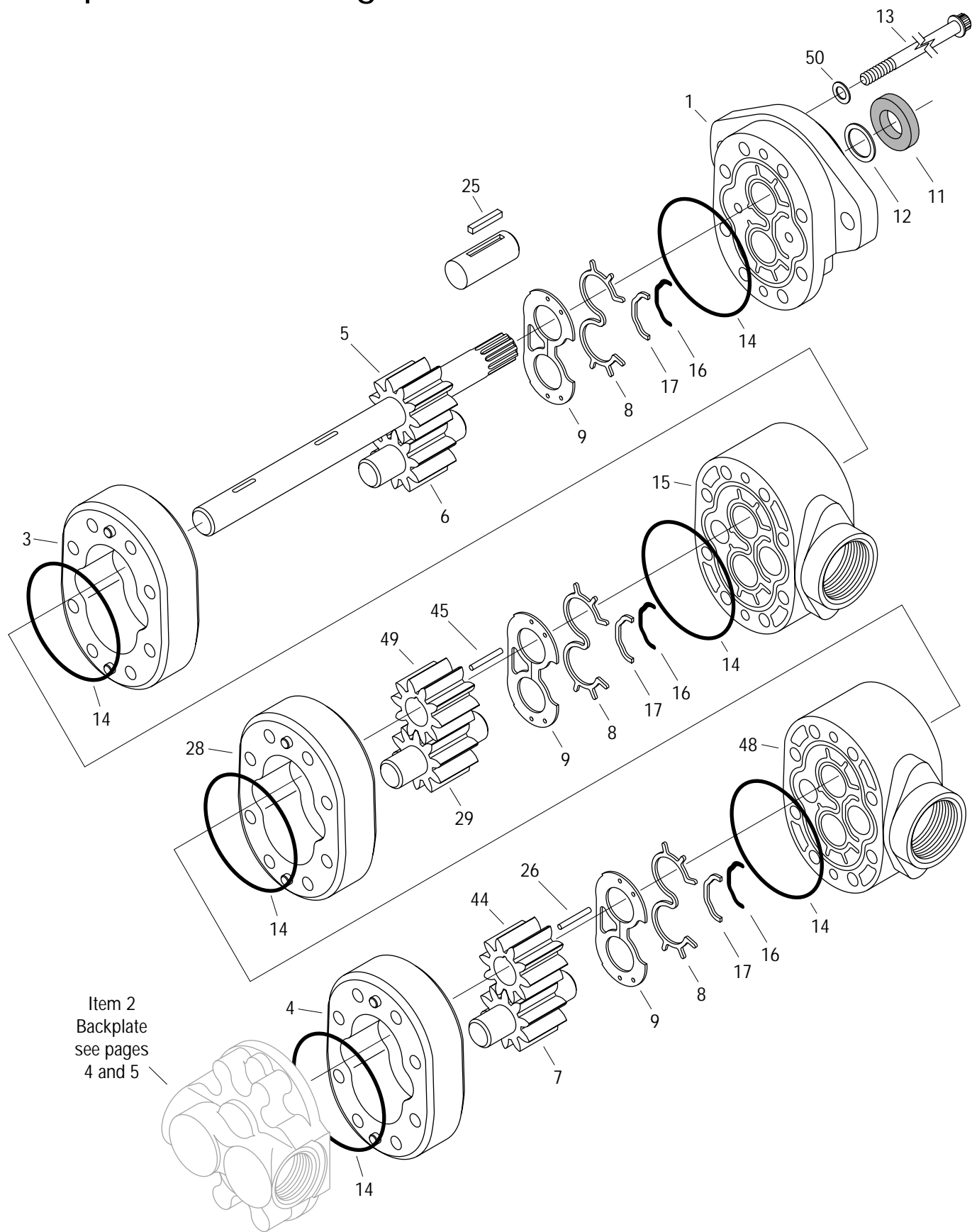


## Parts Information



Model 25380 Multiple Gear Pumps  
B2 Series

# Pump Parts Drawing



# Pump Parts List

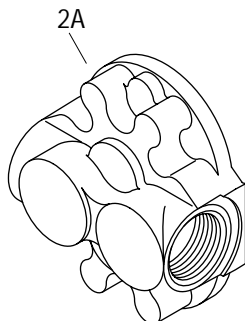
Item No.	Part Number	Description	Qty.
1		Frontplate Assembly	1
	25300-526	Left-Hand Rotation	
	25300-523	Right-Hand Rotation	
2		Backplate (see pages 4 and 5)	1
3	Δ	Body Assembly – Front	1
4	Δ	Body Assembly – Rear	1
5	†	Drive Gear Assembly	1
6	Δ	Idler Gear Assembly – Front	1
7	Δ	Idler Gear Assembly – Rear	1
~	8	25300-647 Backup Gasket	A/R
~	9	25300-600 Wear Plate	A/R
~	11	15147-281 Shaft Seal	1
~	12	16048-27 Washer	1
	13	† Cap Screw	8
~	14	16007-513 O-ring	A/R
	15	25380-469 Adaptor Plate– Front	1
~	16	25300-601 Molded O-ring	A/R
~	17	25300-603 Bearing Seal	A/R
	25	15511-568 Key for Straight Shaft	1
	26	Δ Key – Rear Gear	1
	28	Δ Body Assembly – Center	A/R
	29	Δ Idler Gear Assembly – Center	A/R
	44	Δ Gear – Rear	1
	45	Δ Key – Center Gear	A/R
	48	25380-469 Adaptor Plate – Rear	A/R
	49	Δ Gear – Center	A/R
	50	21006-19 Copper Washer	4
		25380-930 Seal Kit for Double Pump	
		25380-950 Seal Kit for Triple Pump	

- Δ – See table, below, for specific part number
- † – See tables on pages 6 and 7 for specific part number
- ~ – Parts contained in seal kits
- A/R – As Required

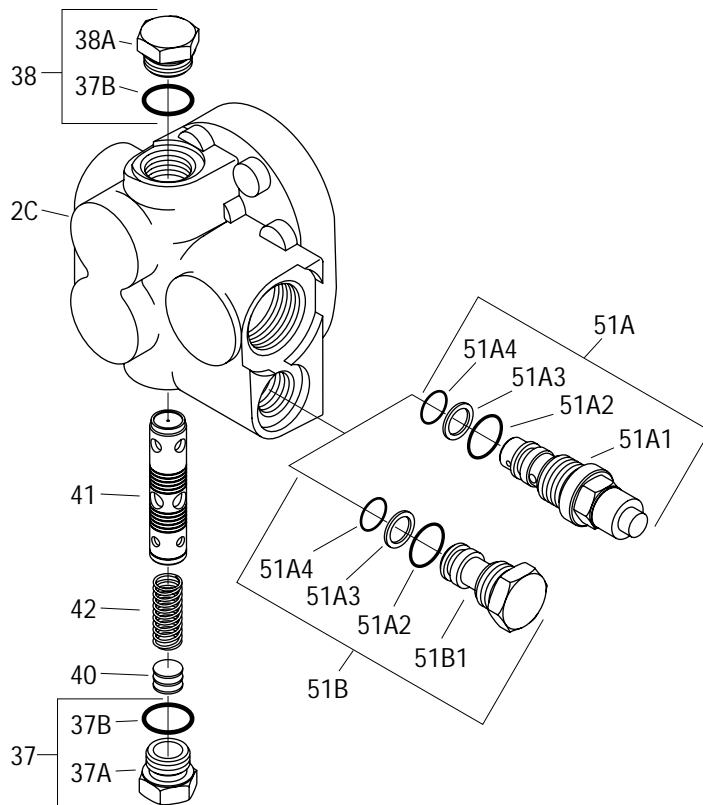
Displacement cm <sup>3</sup> /r [in <sup>3</sup> /r]	Item No. 3, 4 and 28 Body Assembly	Item No. 6, 7 and 29 Idler Gear	Item No. 44 and 49 Gear	Item No. 26 and 45 Key
8.2 [.50]	25300-252	25300-302	25380-250	16243-105
10.8 [.66]	25301-255	25301-303	25381-251	16243-107
13.8 [.84]	25302-255	25302-303	25382-251	16243-109
16.7 [1.02]	25303-255	25303-303	25383-251	16243-111
19.7 [1.20]	25304-258	25304-307	25384-253	16243-113
22.5 [1.37]	25305-255	25305-303	25385-250	16243-114
25.2 [1.54]	25306-255	25306-303	25386-251	16243-115
27.7 [1.69]	25307-254	25307-314	25387-252	16243-117
30.6 [1.87]	25308-259	25308-306	25388-251	16243-120

# Backplate Drawings

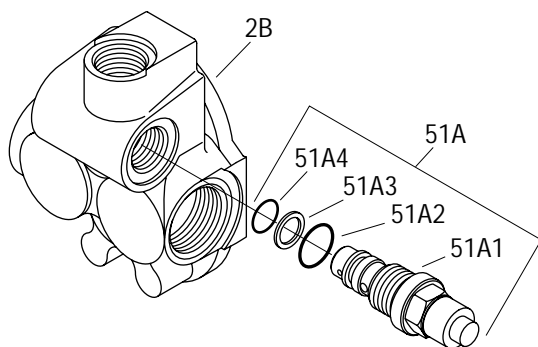
Plain Backplate



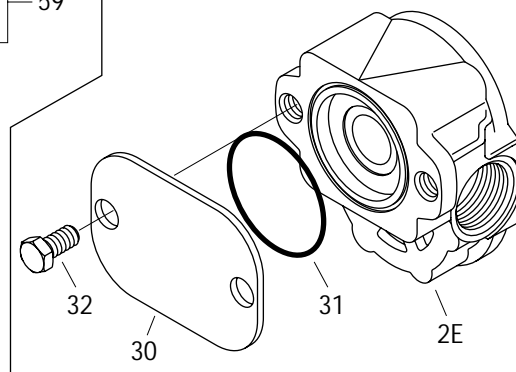
Flow Divider Backplate



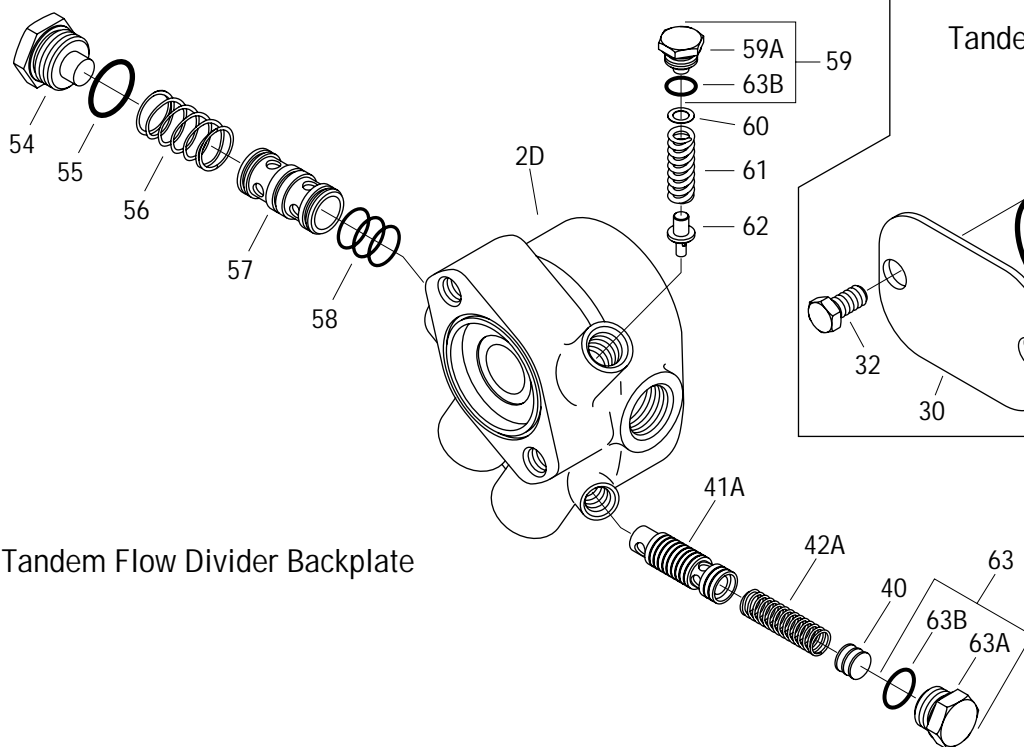
Relief Valve Backplate



Tandem Backplate



Tandem Flow Divider Backplate



# Backplate Parts List

Item No.	Part Number	Description	Qty.
2A		Plain Backplate	1
	25300-38	Side Ports – 1 5/16-12 Suction, 7/8-14 Pressure	
	25300-39	Rear Ports – 1 5/16-12 Suction, 7/8-14 Pressure	
	25300-41	Side Ports – 1 1/16-12 Suction, 7/8-14 Pressure	
2B		Relief Valve Backplate	1
	25310-27	Side Ports – 1 1/16-12 Suction, 7/8-14 Pressure, 7/8-14 Drain	
	25310-28	Side Ports – 1 1/16-12 Suction, 7/8-14 Pressure, Internal Drain	
	25310-30	Side Ports – No Suction, 7/8-14 Pressure, Internal Drain	
2C		Flow Divider Backplate	1
	25330-22	Side Ports – 1 5/16-12 Suction, 3/4-16 Priority, 7/8-14 Secondary	
	25330-23	Rear Ports – 1 5/16-12 Suction, 3/4-16 Priority, 7/8-14 Secondary	
2D		Tandem Flow Divider Backplate	1
	X25340-10	Side Ports – 1 1/16-12 Suction, 3/4-16 Priority, 7/8-14 Secondary	
2E		Tandem Backplate	1
	X25340-11	Side Ports – 1 1/16-12 Suction, 7/8-14 Pressure	
	25380-38	Side Port – No Suction, 7/8-14 Pressure	
30	25340-601	Tandem Cover Plate	1
31	16015-38	O-ring	1
32	16032-606	Cap Screw	2
37	15440-303	Plug/O-ring Assembly	1
37A	NSS	Plug	1
37B	16003-12-90	O-ring	2
38	16224-05	Plug/O-ring Assembly	1
38A	NSS	Plug	1
40	15511-141	Shim (.0239 inch thick)	A/R
41	Δ	Flow Divider Spool	1
41A	24330-604	Spool for Tandem Flow Divider Backplate	
42	17046-20	Spring	1
42A	15511-142	Spring for Tandem Flow Divider Backplate	1
51A	Δ	Relief Valve Assembly	1
51A1	NSS	Relief Valve	1
51A2	16015-17	O-ring	1
51A3	16235-111	Backup Ring	1
51A4	16003-11	O-ring	1
51B	33100-301	Plug Assembly	1
51B1	NSS	Plug	1
54	15511-430	Plug	1
55	16015-18-90	O-ring	1
56	15511-473	Spring	1
57	15511-110	Sleeve	1
58	16015-5-90	O-ring	3
59	16225-05	Plug/O-ring Assembly	1
59A	NSS	Plug	1
60	16048-35	Shim Washer (.010 inch thick)	A/R
61	32015-24	Relief Valve Spring	1
62	32015-51	Poppet	1
63	16224-09	Plug/O-ring Assembly	1
63A	NSS	Plug	1
63B	16003-12-90	O-ring	2

Δ – See tables on pages 6 and 7 for specific part numbers  
 NSS – Not Sold Separately  
 A/R – As Required

## Parts List

### Item No. 5 – Drive Gear Assembly

Part Number	Front Displacement cm <sup>3</sup> /r [in <sup>3</sup> /r]	Center Displacement cm <sup>3</sup> /r [in <sup>3</sup> /r]	Rear Displacement cm <sup>3</sup> /r [in <sup>3</sup> /r]	Shaft End
25380 - 313	8.2 [.50]		8.2 [.50]	5/8 inch 9 Tooth spline
25380 - 324	8.2 [.50]		8.2 [.50]	3/4 inch 11 Tooth Spline
25381 - 301	10.8 [.66]		8.2 [.50]	5/8 inch 9 Tooth Spline
25381 - 305	10.8 [.66]		10.8 [.66]	3/4 inch 11 Tooth Spline
25381 - 317	10.8 [.66]		16.7 [1.02]	5/8 inch 9 Tooth Spline
25381 - 319	10.8 [.66]	10.8 [.66]	10.8 [.66]	3/4 inch 11 Tooth Spline
25381 - 321	10.8 [.66]		16.7 [1.02]	3/4 inch 11 Tooth Spline
25381 - 325	10.8 [.66]	10.8 [.66]	8.2 [.50]	3/4 inch 11 Tooth Spline
25382 - 305	13.8 [.84]		13.8 [.84]	5/8 inch 9 Tooth Spline
25382 - 327	13.8 [.84]	13.8 [.84]	13.8 [.84]	3/4 inch 11 Tooth Spline
25383 - 323	16.7 [1.02]		8.2 [.50]	5/8 inch 9 Tooth Spline
25384 - 309	19.7 [1.20]		19.7 [1.20]	3/4 inch 11 Tooth Spline
25384 - 311	19.7 [1.20]		13.8 [.84]	5/8 inch 9 Tooth Spline
25384 - 319	19.7 [1.20]		10.8 [.66]	5/8 inch 9 Tooth Spline
25384 - 325	19.7 [1.20]		8.2 [.50]	3/4 inch 11 Tooth Spline
25385 - 319	22.5 [1.37]		19.7 [1.20]	3/4 inch 11 Tooth Spline
25385 - 341	22.5 [1.37]		10.8 [.66]	3/4 inch Straight Keyed
25386 - 307	25.2 [1.54]		16.7 [1.02]	3/4 inch 11 Tooth Spline
25386 - 315	25.2 [1.54]		19.7 [1.20]	3/4 inch 11 Tooth Spline
25387 - 305	27.7 [1.69]		16.7 [1.02]	5/8 inch 9 Tooth Spline
25387 - 307	27.7 [1.69]		10.8 [.66]	5/8 inch 9 Tooth Spline
25387 - 313	27.7 [1.69]		10.8 [.66]	3/4 inch 11 Tooth Spline
25388 - 303	30.6 [1.87]		30.6 [1.87]	5/8 inch 9 Tooth Spline
25388 - 309	30.6 [1.87]		13.8 [.84]	5/8 inch 9 Tooth Spline
25388 - 311	30.6 [1.87]		16.7 [1.02]	3/4 inch 11 Tooth Spline

### Item No. 51A – Relief Valve Assembly

Part Number	Pressure Setting (bar [PSI])
	34.5 [500]
	51.7 [750]
32080 - CA	68.9 [1000]
32080 - EA	86.2 [1250]
32080 - GA	103.4 [1500]
32080 - JA	120.6 [1750]
32080 - LA	137.9 [2000]
32080 - NA	155.1 [2250]
32080 - QA	172.4 [2500]

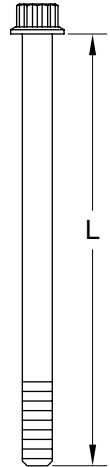
# Parts List

## Item No. 41 – Flow Divider Spool

Part Number	Flow Setting (LPM [GPM])
	3.8 [1.00]
25330 - 612	5.7 [1.50]
25330 - 617	7.6 [2.00]
	9.5 [2.50]
25330 - 600	11.4 [3.00]
	13.3 [3.50]
25330 - 603	15.1 [4.00]
25330 - 608	17.0 [4.50]
25330 - 608	18.9 [5.00]
25330 - 605	20.8 [5.50]
25330 - 601	22.7 [6.00]

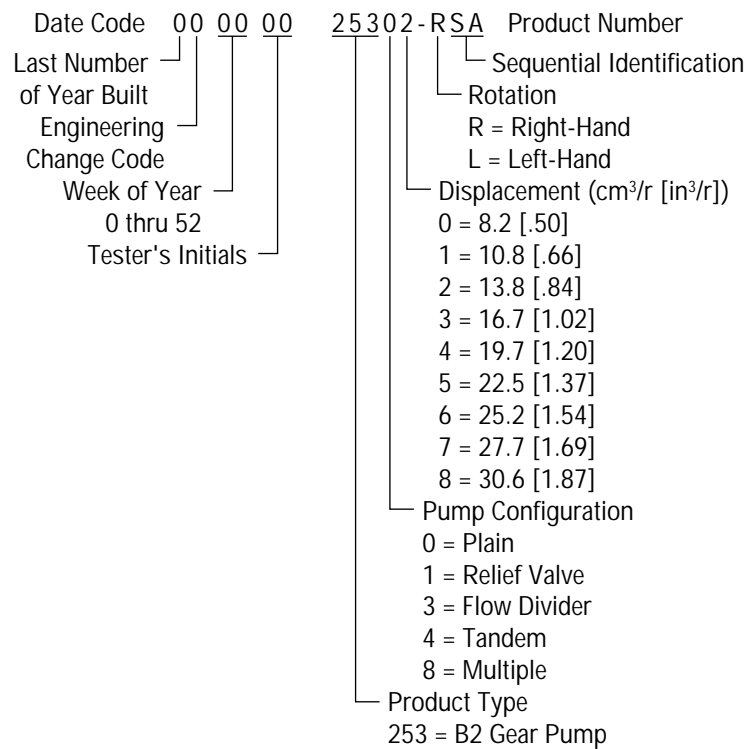
## Item No. 13 – Cap Screw

Part Number	Dimension L (mm [in.])
16119 - 544	114 [4.50]
16119 - 546	121 [4.75]
16119 - 550	127 [5.00]
16119 - 552	133 [5.25]
16119 - 554	140 [5.50]
16119 - 556	146 [5.75]
16119 - 560	152 [6.00]
16119 - 562	159 [6.25]
16119 - 564	165 [6.50]
16119 - 572	184 [7.25]
16119 - 574	191 [7.50]
16119 - 580	203 [8.00]



# Pump Identification

## Numbers Stamped on Mounting Flange



Eaton Corporation  
Hydraulics Division  
15151 Hwy. 5  
Eden Prairie, MN 55344  
Telephone 612/937-9800  
Fax 612/937-7130

Eaton Ltd.  
Hydraulics Division  
Glenrothes, Fife  
Scotland, KY7 4NW  
Telephone 01-592-771-771  
Fax 01-592-773-184

Eaton GmbH  
Hydraulics Products  
Am Schimmersfeld 7  
40880 Ratingen, Germany  
Telephone 02102-406-830  
Fax 02102-406-800



Quality System Certified  
Products in this catalog are manufactured  
in an ISO-9001-certified site.