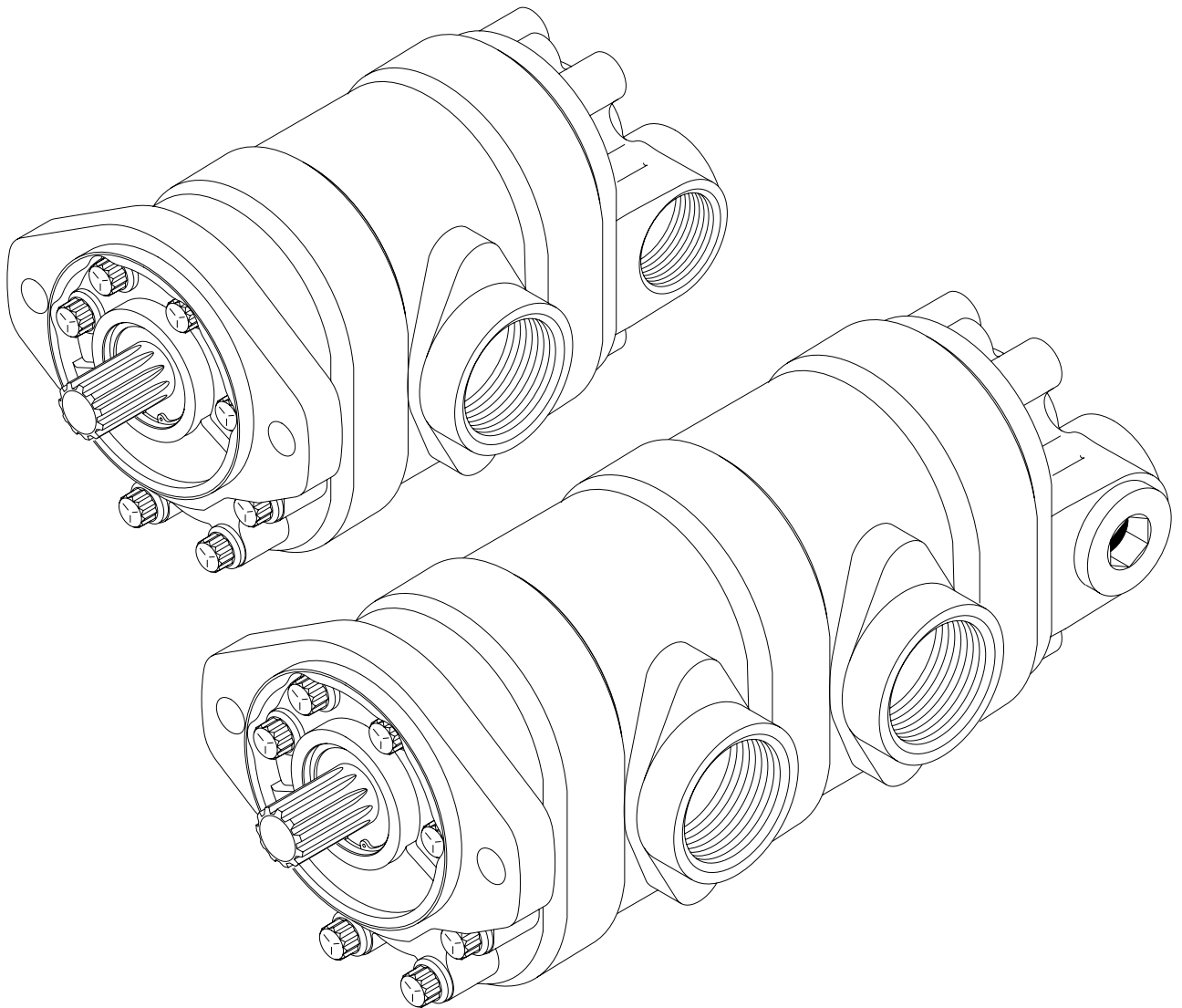




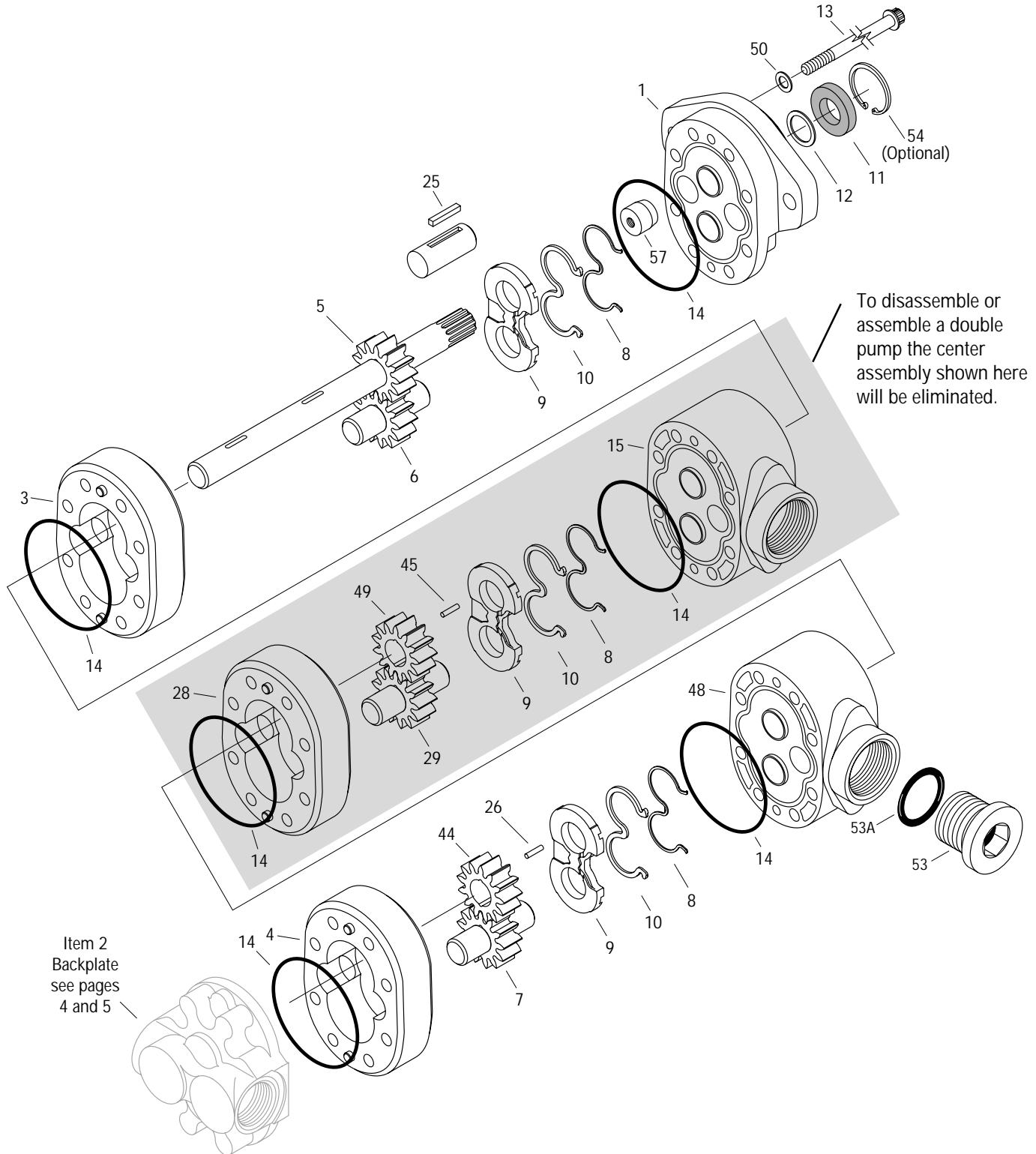
Parts Information



Series 26
Model 26000 Multiple Gear Pump

Pump Parts Drawing

Triple righthand (CW) rotation pump shown.



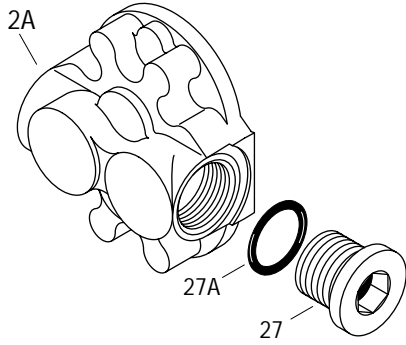
Pump Parts List

Item No.	Part Number	Description	Qty.
1		Frontplate Assembly	1
	26000-500	Left-hand or Right-hand Rotation (2-Bolt A)	
2	See Table pg. 4 & 5	Backplate	1
3	See Table Below	Body Assembly – Front	1
4	See Table Below	Body Assembly – Rear	1
5	See Table pg. 6	Drive Gear Assembly	1
6	See Table Below	Idler Gear Assembly – Front	1
7	See Table Below	Idler Gear Assembly – Rear	1
~	8	26000-552 Backup Gasket	A/R
~	9	26000-550 Wear Plate	A/R
~	10	26000-551 Seal	A/R
	10	26000-553 Seal (Viton)	A/R
~	11	15147-281 Shaft Seal	1
	11	16252-112 Shaft Seal (Viton)	1
~	12	16048-27 Washer	1
	13	See Table pg. 7 Cap Screw	8
~	14	16007-513 O-ring	A/R
	15	See Table pg. 7 Adaptor Plate– Front	1
	25	15511-568 Key for Straight Shaft	1
	26	See Table Below Key – Rear Gear	1
	28	See Table Below Body Assembly – Center	A/R
	29	See Table Below Idler Gear Assembly – Center	A/R
	44	See Table Below Gear – Rear	1
	45	See Table Below Key – Center Gear	A/R
	48	See Table pg. 7 Adaptor Plate – Rear	1
	49	See Table Below Gear – Center	A/R
	50	21006-19 Washer	4
	53	16103-320 Plug Assembly	1
~	53A	16133-20 O-ring	1
	54	16077-22 Retaining Ring	1
~	57	26000-554 Plug	1
~		26000-902 Seal Kit for Double Pump	
~		26000-903 Seal Kit for Triple Pump	
A/R		– As Required	
~		– Parts contained in seal kits	

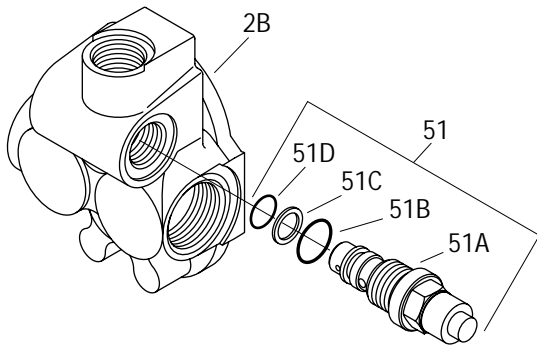
Displacement cm ³ /r [in ³ /r]	Item No. 3, 4 & 28 Body Assembly	Body Width mm [in]	Item No. 6, 7 & 29 Idler Gear	Item No. 44 & 49 Gear	Item No. 26 & 45 Key
6,6 [.40]	26001-101	14.4 [.57]	26001-201	26501-150	16243-105
8,2 [.50]	26002-101	16.3 [.64]	26002-201	26502-150	16243-105
9,5 [.58]	26003-101	17.7 [.70]	26003-201	26503-150	16243-106
10,8 [.66]	26004-101	19.5 [.77]	26004-201	26504-150	16243-107
13,8 [.84]	26005-101	22.7 [.89]	26005-201	26505-150	16243-109
16,7 [1.02]	26006-101	25.9 [1.02]	26006-201	26506-150	16243-111
19,7 [1.20]	26007-101	29.1 [1.15]	26007-201	26507-150	16243-113
22,5 [1.37]	26008-101	32.3 [1.27]	26008-201	26508-150	16243-114
24,3 [1.48]	26009-101	34.7 [1.36]	26009-201	26509-150	16243-114
25,2 [1.54]	26010-101	35.5 [1.40]	26010-201	26510-150	16243-115
27,7 [1.69]	26011-101	38.7 [1.52]	26011-201	26511-150	16243-117
29,0 [1.77]	26012-101	40.3 [1.59]	26012-201	26512-150	16243-117
30,6 [1.87]	26013-101	41.9 [1.65]	26013-201	26513-150	16243-120

Backplate Drawings

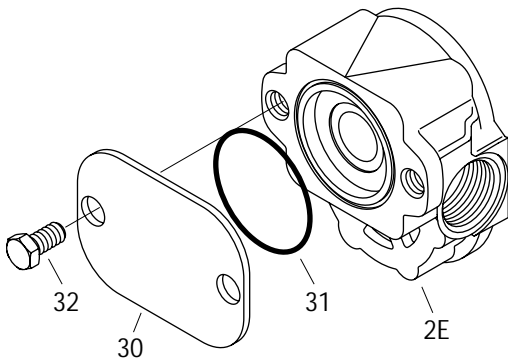
Plain Backplate



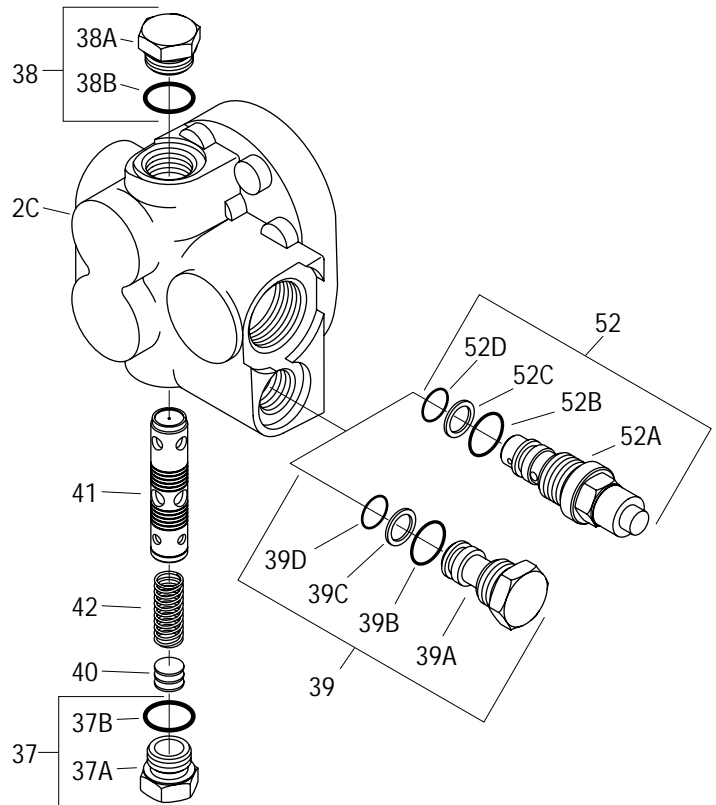
Relief Valve Backplate



Tandem Backplate



Flow Divider Backplate



Backplate Parts List

Item No.	Part Number	Description	Qty.
2A		Plain Backplate	1
	26000-02	Side Ports – 1 5/16-12 Suction, 7/8-14 Pressure	
	26000-03	Rear Ports – 1 5/16-12 Suction, 7/8-14 Pressure	
	26000-04	Side Ports – 1 1/16-12 Suction, 7/8-14 Pressure	
	26000-05	Rear Ports – 1 1/16-12 Suction, 7/8-14 Pressure	
2B		Relief Valve Backplate	1
	26100-07	Side Ports – 1 1/16-12 Suction, 7/8-14 Pressure, 7/8-14 Drain	
	26100-03	Side Ports – 1 1/16-12 Suction, 7/8-14 Pressure, Internal Drain	
2C		Flow Divider Backplate	1
	26200-02	Side Ports – 1 5/16-12 Suction, 3/4-16 Priority, 7/8-14 Secondary	
	26200-03	Rear Ports – 1 5/16-12 Suction, 3/4-16 Priority, 7/8-14 Secondary	
2E		Tandem Backplate	1
	26400-02	Side Ports – 1 1/16-12 Suction, 7/8-14 Pressure	
30	25340-601	Tandem Cover Plate	1
31	16015-38	O-ring	1
32	16032-606	Cap Screw	2
37	15440-303	Plug/O-ring Assembly	1
37A	NSS	Plug	1
~	37B	16003-12-90 O-ring	1
	38	16224-05 Plug/O-ring Assembly	1
	38A	NSS Plug	1
~	38B	16003-12-90 O-ring	1
	39	33100-301 Plug Assembly	1
	39A	NSS Plug	1
~	39B	16015-17 O-ring	1
	39C	16235-111 Backup Ring	1
~	39D	16003-11 O-ring	1
	40	15511-141 Shim (.0239 inch thick)	A/R
	41	Δ Flow Divider Spool	1
	42	17046-20 Spring	1
	51	Δ Relief Valve Assembly	1
	51A	NSS Relief Valve	1
~	51B	16015-17 O-ring	1
~	51C	16235-111 Backup Ring	1
~	51D	16003-11 O-ring	1
	52	Δ Relief Valve Assembly	1
	52A	NSS Relief Valve	1
~	52B	16015-17 O-ring	1
~	52C	16235-111 Backup Ring	1
~	52D	16003-11 O-ring	1

Δ – See tables on pages 6 and 7 for specific part numbers

NSS – Not Sold Separately

A/R – As Required

Parts List

Item No. 5 – Drive Gear Assembly

Identify gear assembly by measuring bodies to determine displacement (refer to page 3 for dimension vs. displacement). Match displacements and shaft ends to determine part number. If you don't find a match contact your supplier.

D.G.A. Part Number	Pump Displacement cm ³ /r [in ³ /r]			Shaft End
	Front	Center	Rear	
26501-205	6,6 [.40]		8,2 [.50]	5/8 in., 9 T Spline
26502-205	8,2 [.50]		10,8 [.66]	3/4 in., 11 T Spline
26502-207	8,2 [.50]		8,2 [.50]	5/8 in., 9 T Spline
26502-209	8,2 [.50]		13,8 [.84]	5/8 in., 9 T Spline
26504-201	10,8 [.66]	10,8 [.66]	6,6 [.40]	5/8 in., 9 T Spline
26504-205	10,8 [.66]	10,8 [.66]	10,8 [.66]	3/4 in., 11 T Spline
26504-209	10,8 [.66]		8,2 [.50]	5/8 in., 9 T Spline
26504-211	10,8 [.66]		10,8 [.66]	5/8 in., 9 T Spline
26504-213	10,8 [.66]		10,8 [.66]	3/4 in., 11 T Spline
26504-215	10,8 [.66]		19,7 [1.20]	5/8 in., 9 T Spline
26504-217	10,8 [.66]		19,7 [1.20]	3/4 in., 11 T Spline
26504-219	10,8 [.66]	10,8 [.66]	8,2 [.50]	3/4 in., 11 T Spline
26504-221	10,8 [.66]	10,8 [.66]	8,2 [.50]	5/8 in., 9 T Spline
26504-223	10,8 [.66]	10,8 [.66]	6,6 [.40]	5/8 in., 9 T Spline
26504-225	10,8 [.66]		6,6 [.40]	5/8 in., 9 T Spline
26505-205	13,8 [.84]	13,8 [.84]	13,8 [.84]	3/4 in., 11 T Spline
26505-207	13,8 [.84]		13,8 [.84]	5/8 in., 9 T Spline
26505-209	13,8 [.84]		25,2 [1.54]	3/4 in., 11 T Spline
26505-211	13,8 [.84]		8,2 [.50]	5/8 in., 9 T Spline
26505-213	13,8 [.84]		10,8 [.66]	5/8 in., 9 T Spline
26506-207	16,7 [1.02]		16,7 [1.02]	5/8 in., 9 T Spline
26506-209	16,7 [1.02]		6,6 [.40]	3/4 in., 11 T Spline
26506-213	16,7 [1.02]		8,2 [.50]	5/8 in., 9 T Spline
26506-215	16,7 [1.02]		13,8 [.84]	5/8 in., 9 T Spline
26506-217	16,7 [1.02]		16,7 [1.02]	3/4 in., Straight Keyed
26507-201	19,7 [1.20]		16,7 [1.02]	5/8 in., 9 T Spline
26507-203	19,7 [1.20]		13,8 [.84]	5/8 in., 9 T Spline
26507-207	19,7 [1.20]		16,7 [1.02]	3/4 in., 11 T Spline
26507-209	19,7 [1.20]		10,8 [.66]	5/8 in., 9 T Spline
26507-211	19,7 [1.20]		8,2 [.50]	3/4 in., 11 T Spline
26507-213	19,7 [1.20]	16,7 [1.02]	10,8 [.66]	5/8 in., 9 T Spline
26508-201	22,4 [1.37]		19,7 [1.20]	3/4 in., 11 T Spline
26508-203	22,4 [1.37]		8,2 [.50]	3/4 in., 11 T Spline
26508-207	22,4 [1.37]		10,8 [.66]	3/4 in., Straight Keyed
26508-209	22,4 [1.37]		22,4 [1.37]	3/4 in., 11 T Spline
26508-211	22,4 [1.37]		10,8 [.66]	3/4 in., 11 T Spline
26508-213	22,4 [1.37]		13,8 [.84]	3/4 in., 11 T Spline
26508-215	22,4 [1.37]		8,2 [.50]	5/8 in., 9 T Spline
26510-201	25,2 [1.54]		13,8 [.84]	3/4 in., 11 T Spline
26510-205	25,2 [1.54]		16,7 [1.02]	3/4 in., 11 T Spline
26510-207	25,2 [1.54]		19,7 [1.20]	3/4 in., 11 T Spline

D.G.A. Part Number	Pump Displacement cm ³ /r [in ³ /r]			Shaft End
	Front	Center	Rear	
26510-211	25,2 [1.54]		10,8 [.66]	3/4 in., 11 T Spline
26510-213	25,2 [1.54]		25,2 [1.54]	5/8 in., 9 T Spline
26510-219	25,2 [1.54]	13,8 [.84]	8,2 [.50]	3/4 in., 11 T Spline
26510-221	25,2 [1.54]		16,7 [1.02]	5/8 in., 9 T Spline
26510-223	25,2 [1.54]	16,7 [1.02]	8,2 [.50]	3/4 in., 11 T Spline
26510-225	25,2 [1.54]	13,8 [.84]	13,8 [.84]	3/4 in., 11 T Spline
26511-201	27,7 [1.69]		16,7 [1.02]	5/8 in., 9 T Spline
26511-203	27,7 [1.69]		10,8 [.66]	5/8 in., 9 T Spline
26511-205	27,7 [1.69]		10,8 [.66]	3/4 in., 11 T Spline
26511-211	27,7 [1.69]		8,2 [.50]	3/4 in., 11 T Spline
26512-201	29,0 [1.77]		16,7 [1.02]	3/4 in., 11 T Spline
26512-203	29,0 [1.77]		29,0 [1.77]	5/8 in., 9 T Spline
26512-205	29,0 [1.77]	19,7 [1.20]	16,7 [1.02]	3/4 in., 11 T Spline
26513-201	30,6 [1.87]		30,6 [1.87]	3/4 in., 11 T Spline
26513-203	30,6 [1.87]		13,8 [.84]	5/8 in., 9 T Spline
26513-205	30,6 [1.87]		30,6 [1.87]	5/8 in., 9 T Spline
26513-207	30,6 [1.87]		16,7 [1.02]	3/4 in., 11 T Spline
26513-209	30,6 [1.87]		27,7 [1.69]	3/4 in., 11 T Spline
26513-213	30,6 [1.87]		19,7 [1.20]	3/4 in., 11 T Spline
26513-215	30,6 [1.87]		8,2 [.50]	3/4 in., 11 T Spline

Parts List

Item No. 15 or 48 – Adapter plates

Part Number	Description
26500-450	Common Suction Port 1 5/8 - 12 UN-2B SAE O-ring port: Pressure Port 7/8-14 UNF-2B SAE O-ring port

Item No. 41 – Flow Divider Spool

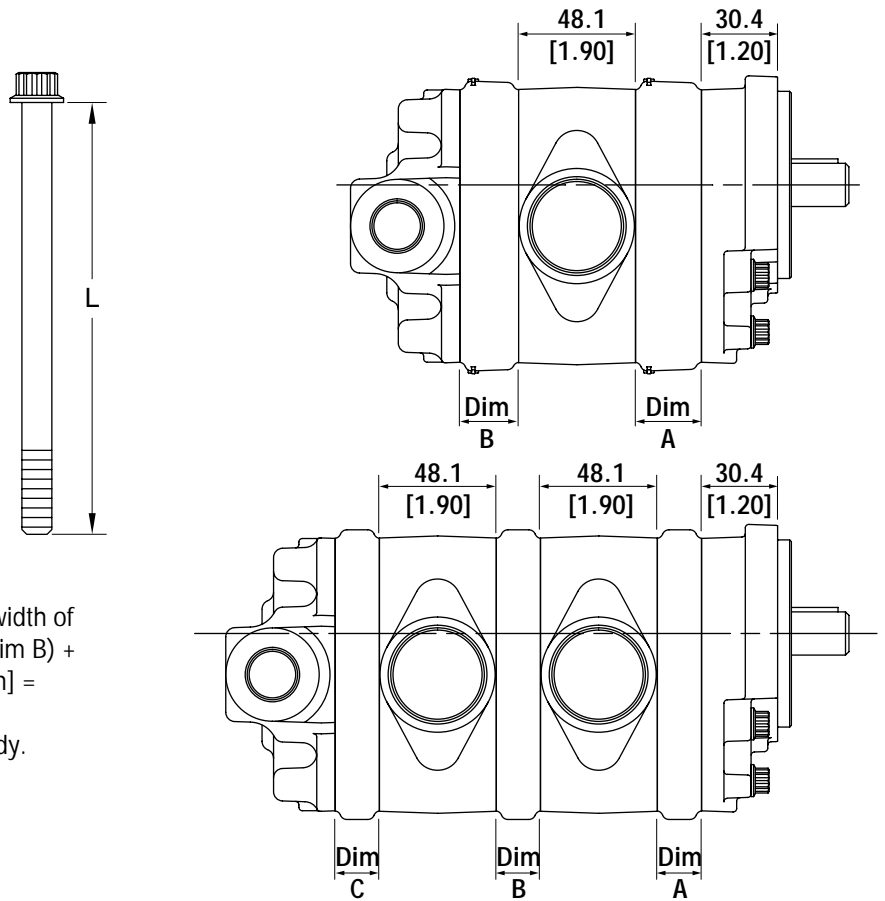
Part Number	Flow Setting (l/min [gal/min])
26200 - 600	3.8 [1.00]
26200 - 601	5.7 [1.50]
26200 - 602	7.6 [2.00]
26200 - 603	9.5 [2.50]
26200 - 604	11.4 [3.00]
26200 - 605	13.3 [3.50]
26200 - 606	15.1 [4.00]
26200 - 607	17.0 [4.50]
26200 - 607	18.9 [5.00]
26200 - 608	20.8 [5.50]
26200 - 609	22.7 [6.00]

Item No. 51A – Relief Valve Assembly

Part Number	Pressure Setting (bar [lbf/in ²])
32080 - AA	34.5 [500]
32080 - BA	51.7 [750]
32080 - CA	68.9 [1000]
32080 - EA	86.2 [1250]
32080 - GA	103.4 [1500]
32080 - JA	120.6 [1750]
32080 - LA	137.9 [2000]
32080 - NA	155.1 [2250]
32080 - QA	172.4 [2500]

Item No. 13 – Cap Screw

Part Number	Dimension L (mm [in.])
16119 - 544	114 [4.50]
16119 - 546	121 [4.75]
16119 - 550	127 [5.00]
16119 - 552	133 [5.25]
16119 - 554	140 [5.50]
16119 - 556	146 [5.75]
16119 - 560	152 [6.00]
16119 - 562	159 [6.25]
16119 - 564	165 [6.50]
16119 - 572	184 [7.25]
16119 - 574	191 [7.50]
16119 - 580	203 [8.00]



To determine bolt length for a triple pump add width of Front Plate + body (Dim A) + Adapter + Body (Dim B) + second Adapter + Body (Dim C) + 19 mm [.75 in] = Length of Cap screws.
Double pump omit second adapter and third body.

Pump Identification Number

Stamped on each units mounting flange.

Product Number: 26 0 01 - R Z A

Series
 26 = Gear Pump
 (SAE "A" Mount)

Features
 0 = Standard Single Pump
 1 = Standard Single W/ Relief
 2 = Flow Divider Backplate
 3 = Flow Divider W/ Load Sense
 4 = Tandem Backplate
 5 = Multiple Pumps

Displacement cm³/r [in³ /r]
 01 = 6.6 [.40] 08 = 22.5 [1.37]
 02 = 8.2 [.50] 09 = 24.3 [1.48]
 03 = 9.5 [.58] 10 = 25.2 [1.54]
 04 = 10.8 [.66] 11 = 27.7 [1.69]
 05 = 13.8 [.84] 12 = 29.0 [1.77]
 06 = 16.7 [1.02] 13 = 30.6 [1.87]
 07 = 19.7 [1.20]

Input Rotation
 R = Right-hand (clockwise)
 L = Left-hand (Counterclockwise)

Catalog / Non-Catalog
 Z = Cataloged Pump
 A-Y = Non-Cataloged Pump

B 95 01 31 JB Serial Number Code:

Testers Initials
 Day of Month (two digits)
 Month (two digits)
 Last two digits of year built.
 (95 for 1995 etc.)
 Revision level of parts list.

Shafts , Porting Size and Location

Side Ports

- A = 3/4 in. 11 Tooth, 1 5/16-12 UN-2B Suction, 7/8-14 UNF-2B Pressure
- C = 3/4 in. Str. Keyed, 1 5/16-12 UN-2B Suction, 7/8-14 UNF-2B Pressure
- E = 3/4 in. 9 Tooth, 1 5/16-12 UN-2B Suction, 7/8-14 UNF-2B Pressure
- G = 5/8 in. Str. Keyed, 1 1/16-12 UN-2B Suction, 7/8-14 UNF-2B Pressure
- J = 5/8 in. 9 Tooth, 1 1/16-12 UN-2B Suction, 7/8-14 UNF-2B Pressure
- L = 5/8 in. Str. Keyed, 1 5/16-12 UN-2B Suction, 7/8-14 UNF-2B Pressure
- N = 3/4 in. 11 Tooth, 1 1/16-12 UN-2B Suction, 7/8-14 UNF-2B Pressure
- R = 3/4 in. Str. Keyed, 1 1/16-12 UN-2B Suction, 7/8-14 UNF-2B Pressure

Rear Ports

- B = 3/4 in. 11 Tooth, 1 5/16-12 UN-2B Suction, 7/8-14 UNF-2B Pressure
- D = 3/4 in. Str. Keyed, 1 5/16-12 UN-2B Suction, 7/8-14 UNF-2B Pressure
- F = 3/4 in. 9 Tooth, 1 5/16-12 UN-2B Suction, 7/8-14 UNF-2B Pressure
- H = 5/8 in. Str. Keyed, 1 1/16-12 UN-2B Suction, 7/8-14 UNF-2B Pressure
- K = 5/8 in. 9 Tooth, 1 1/16-12 UN-2B Suction, 7/8-14 UNF-2B Pressure
- M = 5/8 in. Str. Keyed, 1 5/16-12 UN-2B Suction, 7/8-14 UNF-2B Pressure
- P = 3/4 in. 11 Tooth, 1 1/16-12 UN-2B Suction, 7/8-14 UNF-2B Pressure
- S = 3/4 in. Str. Keyed, 1 1/16-12 UN-2B Suction, 7/8-14 UNF-2B Pressure

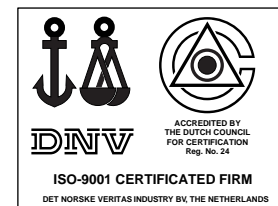
Each order must include the following information.

1. Product and/or Part Number
2. Serial Number Code
3. Part Name
4. Quantity

Eaton Corporation
Hydraulics Division
 15151 Hwy. 5
 Eden Prairie, MN 55344
 Telephone 612/937-9800
 Fax 612/937-7130

Eaton Ltd.
Hydraulics Division
 Glenrothes, Fife
 Scotland, KY7 4NW
 Telephone 01-592-771-771
 Fax 01-592-773-184

Eaton GmbH
Hydraulics Products
 Am Schimmersfeld 7
 40880 Ratingen, Germany
 Telephone 02102-406-830
 Fax 02102-406-800



Quality System Certified
 Products in this catalog are manufactured in an ISO-9001-certified site.