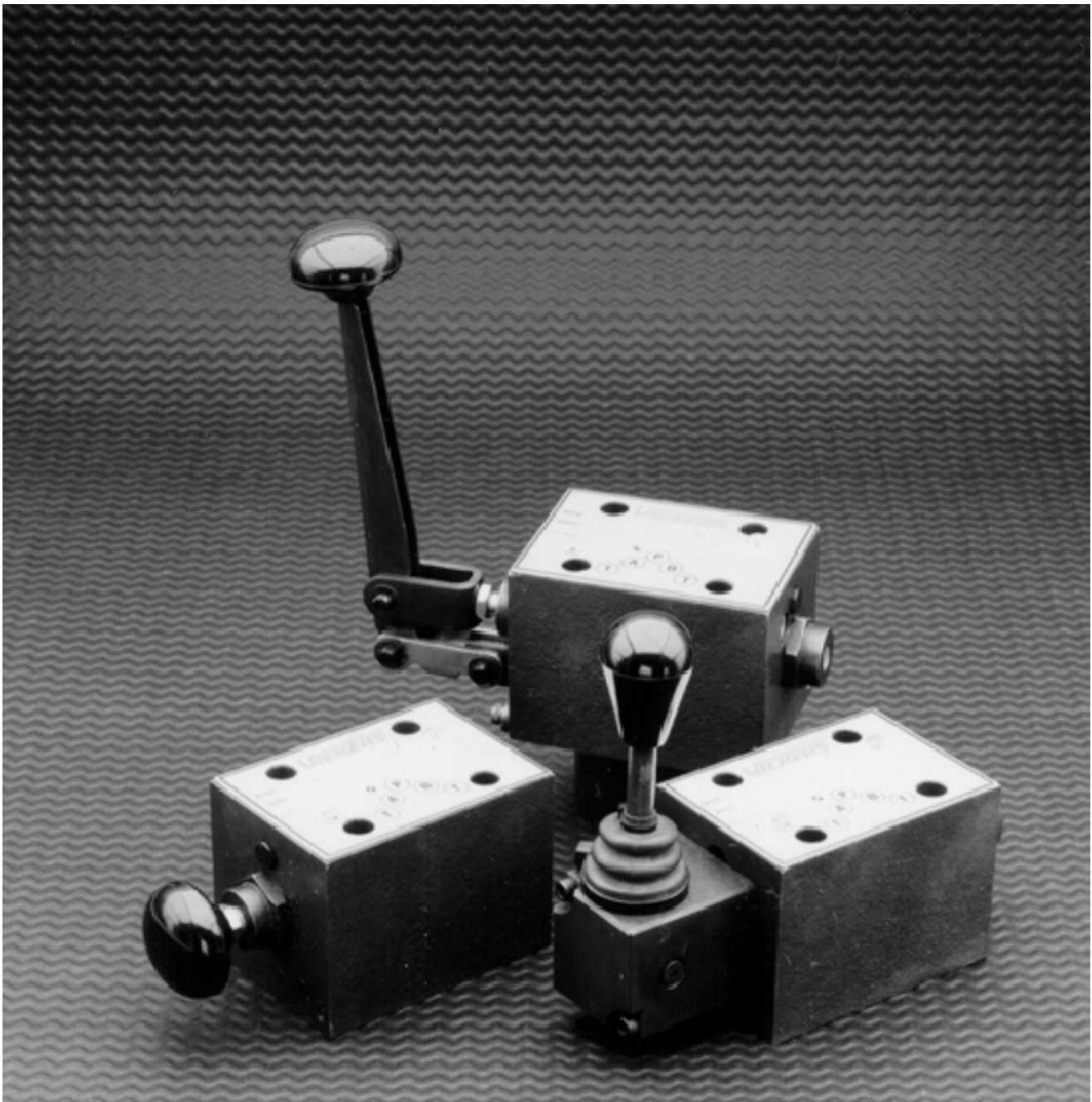


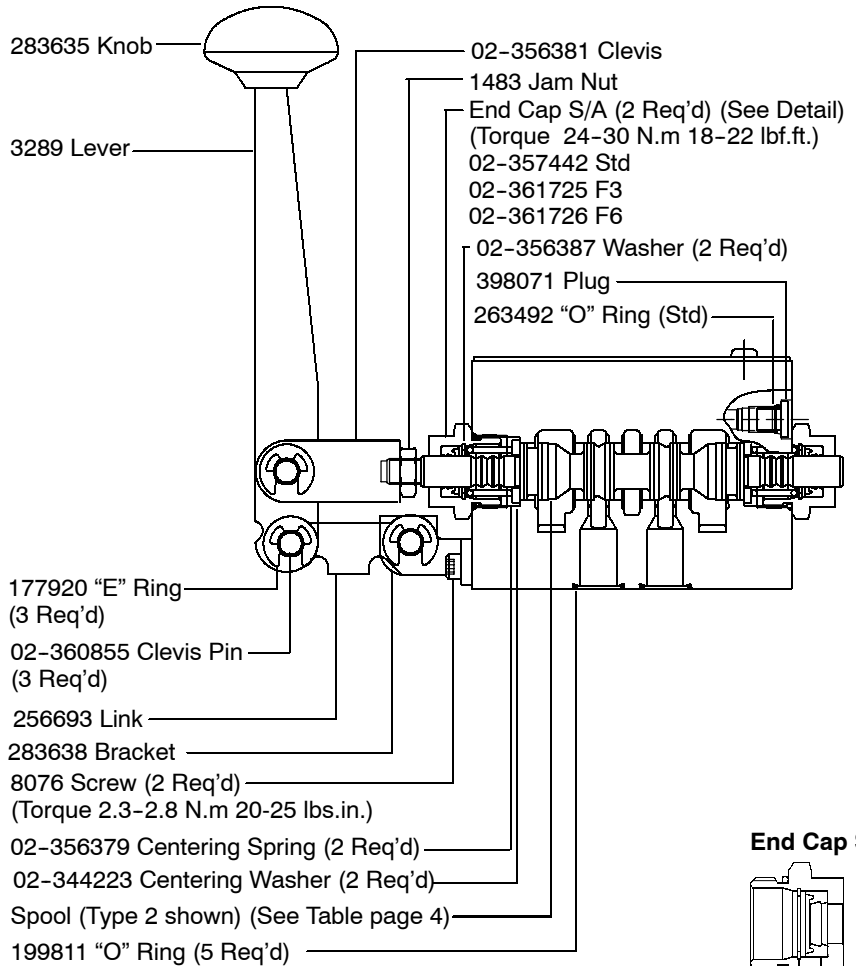
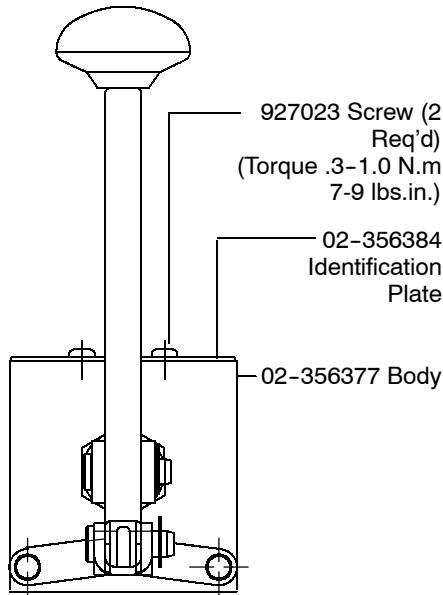
Mechanical Actuators Directional Control Valves 310 bar (4500 psi)

DG1V4-01**-10 Knob Operated

DG17V4-01**-10 Lever Operated



DG17V4-01*C-10



Std Seal	F3 Seal	F6 Seal
199811	262334	200085
262338	262338	157515
263492	263492	154129
02-356378	02-360886	02-361724

Above parts included in seal kit:
 STD KIT F3 KIT F6 KIT
 02-363850 02-363851 02-363852

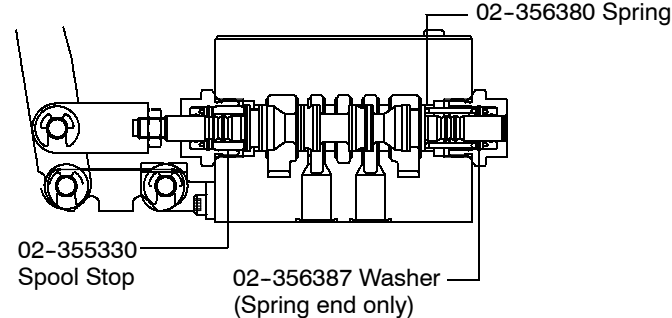
NOTE

Right hand assembly shown in all views.
 For left hand, all parts except body and nameplate are reversed.
 Reverse spools for: 0, 2, 6, 7, 8, 22 & 33

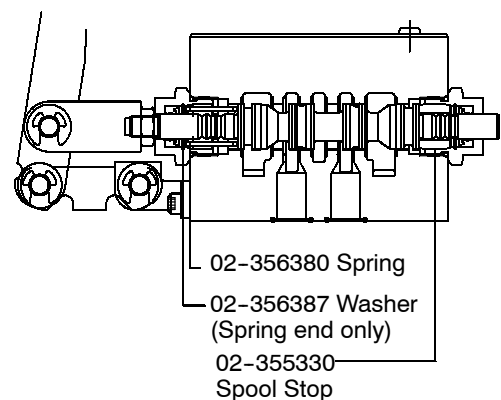
- 283635 Knob
- 3289 Lever
- 02-356381 Clevis
- 1483 Jam Nut
- End Cap S/A (2 Req'd) (See Detail) (Torque 24-30 N.m 18-22 lbf.ft.)
- 02-357442 Std
- 02-361725 F3
- 02-361726 F6
- 02-356387 Washer (2 Req'd)
- 398071 Plug
- 263492 "O" Ring (Std)
- 177920 "E" Ring (3 Req'd)
- 02-360855 Clevis Pin (3 Req'd)
- 256693 Link
- 283638 Bracket
- 8076 Screw (2 Req'd) (Torque 2.3-2.8 N.m 20-25 lbs.in.)
- 02-356379 Centering Spring (2 Req'd)
- 02-344223 Centering Washer (2 Req'd)
- Spool (Type 2 shown) (See Table page 4)
- 199811 "O" Ring (5 Req'd)
- 262338 "O" Ring (Std & F3)
- 855897 Retaining Ring
- 02-343367 Plug Guide
- 02-356378 "U" Cup Seal

DG17V4-01*A-10
Spring Offset - Handle Out

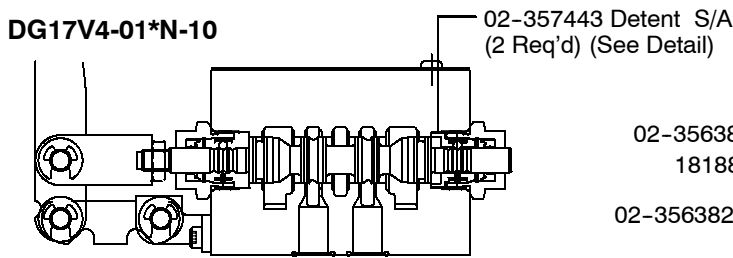
Builds otherwise same as "C" spring centered model



DG17V4-01*A2-10
Spring Offset - Handle In



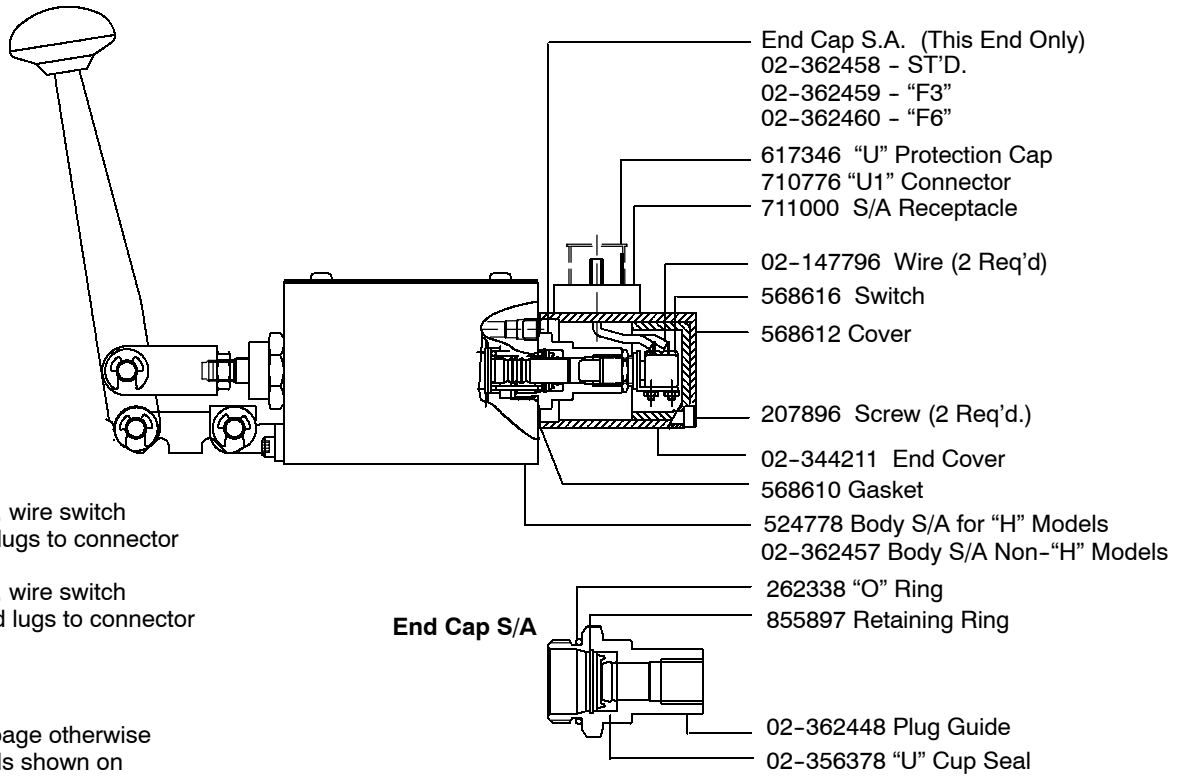
DG17V4-01*N-10



Detent S/A

- 02-356383 Spring Detent
- 181880 Ball (3 Req'd)
- 02-356382 Detent Housing
- 154595 Roll Pin

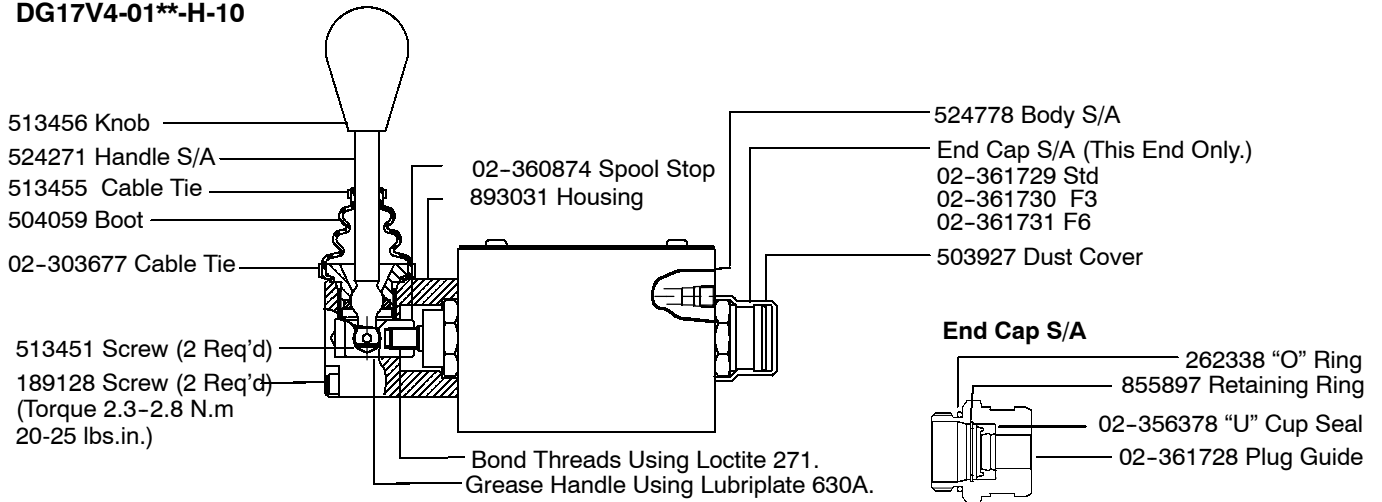
DG17V4-01- (H)-M-S*-U(1)-10**



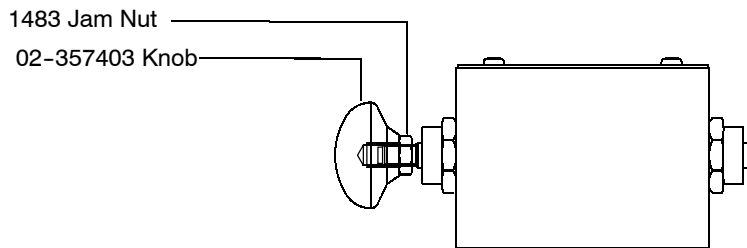
For S3 models, wire switch normally open lugs to connector pins 1 & 2
 For S4 models, wire switch normally closed lugs to connector pins 1 & 2

Builds on this page otherwise same as models shown on page 2

DG17V4-01-H-10**



DG1V4-01-10**



Model Code

(F*) D G 1* V4 - 01 * * (L) - (H) (M - S* - U(1) - 10

1234567891011121314

1 Interface seals

Blank - Buna N (std.)
 F3 - Viton (fire resistant seals)
 F6 - Nitrile seals (water glycol)
Viton is a registered trademark of E.I. DuPont Co.

2 Directional control

3 Mounting type

G - Manifold or subplate

4 Control type

17 - Manual lever operated
 1 - Knob operated

5 Flow direction

V4 - Four-way, 310 bar (4500 psi)

6 Valve size

01 - ISO-4401-05, NFPA-D05 interface

7 Spool type (crossover condition)

0 - Open center, all ports
 1 - Open center, B blocked
 2 - Closed center
 3 - Closed center, P and B blocked
 6 - Closed center, P only
 7 - Closed center, T blocked
 8 - Open center, A and B blocked
 11 - Open center, A blocked
 22 - Closed center, 2-way
 31 - Closed center, A and P blocked
 33 - Closed center, bleed A & B

8 Spool/Spring arrangement

A - Spring offset (handle out)
 A2 - Spring offset (handle in)
 C - Spring centered
 N - No spring detented

9 Left hand build

Omit for standard right hand assembly

10 Handle

H - Booted handle for harsh environment
 Omit if not required

11 Flag symbol

M - Electrical features (applies only to switch models)
 Omit if not required

12 Spool indicator switch

S3 - Switch wired normally open
 S4 - Switch wired normally closed
 Omit if not required

13 Switch connection

U - DIN 43650 connection for switch
 U1 - DIN 43650 connector provided for switch
 Omit if not required

14 Design number

Subject to change. Installation dimensions remain as shown for design numbers 10 through 19.

SPOOL	SPOOL TYPE	PART NO.	SYMBOL
	TYPE #0	02-355333	
	TYPE #1	02-362445	
	TYPE #2	02-343361	
	TYPE #3	02-355334	
	TYPE #6	02-355335	
	TYPE #7	02-355336	
	TYPE #8	02-355342	
	TYPE #11	02-362446	
	TYPE #22	02-362447	
	TYPE #31	02-355337	
	TYPE #33	02-355338	

SPOOL NOTE:

For left hand build type 1 use 02-362446
 For left hand build type 11 use 02-362445
 For left hand build type 3 use 02-355337
 For left hand build type 31 use 02-355334