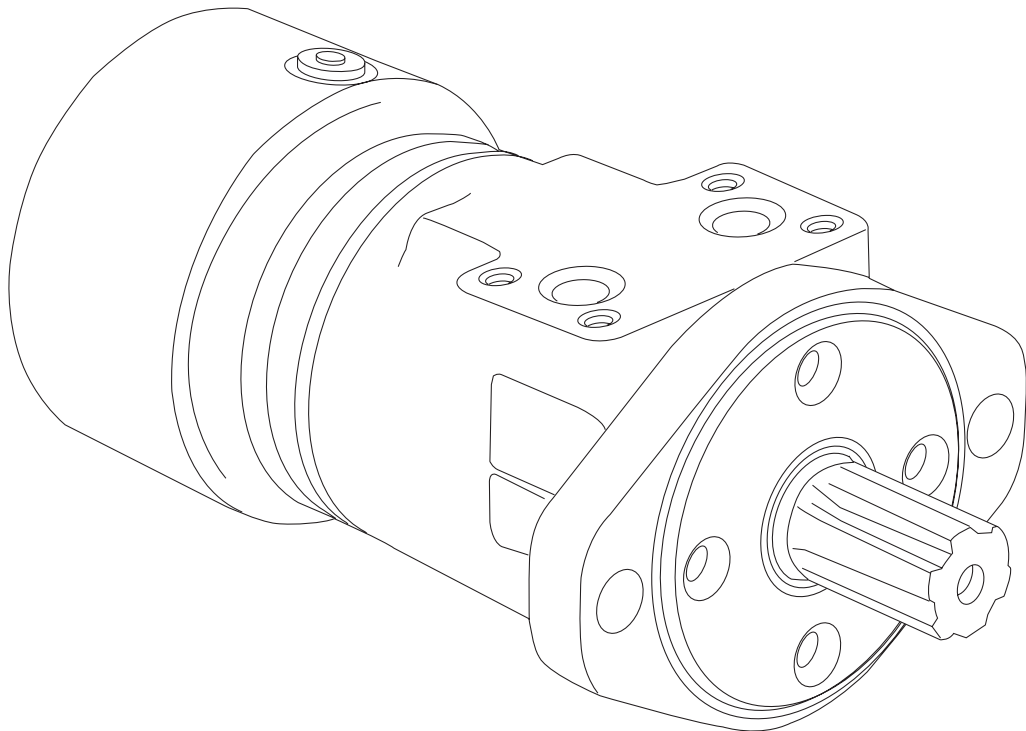


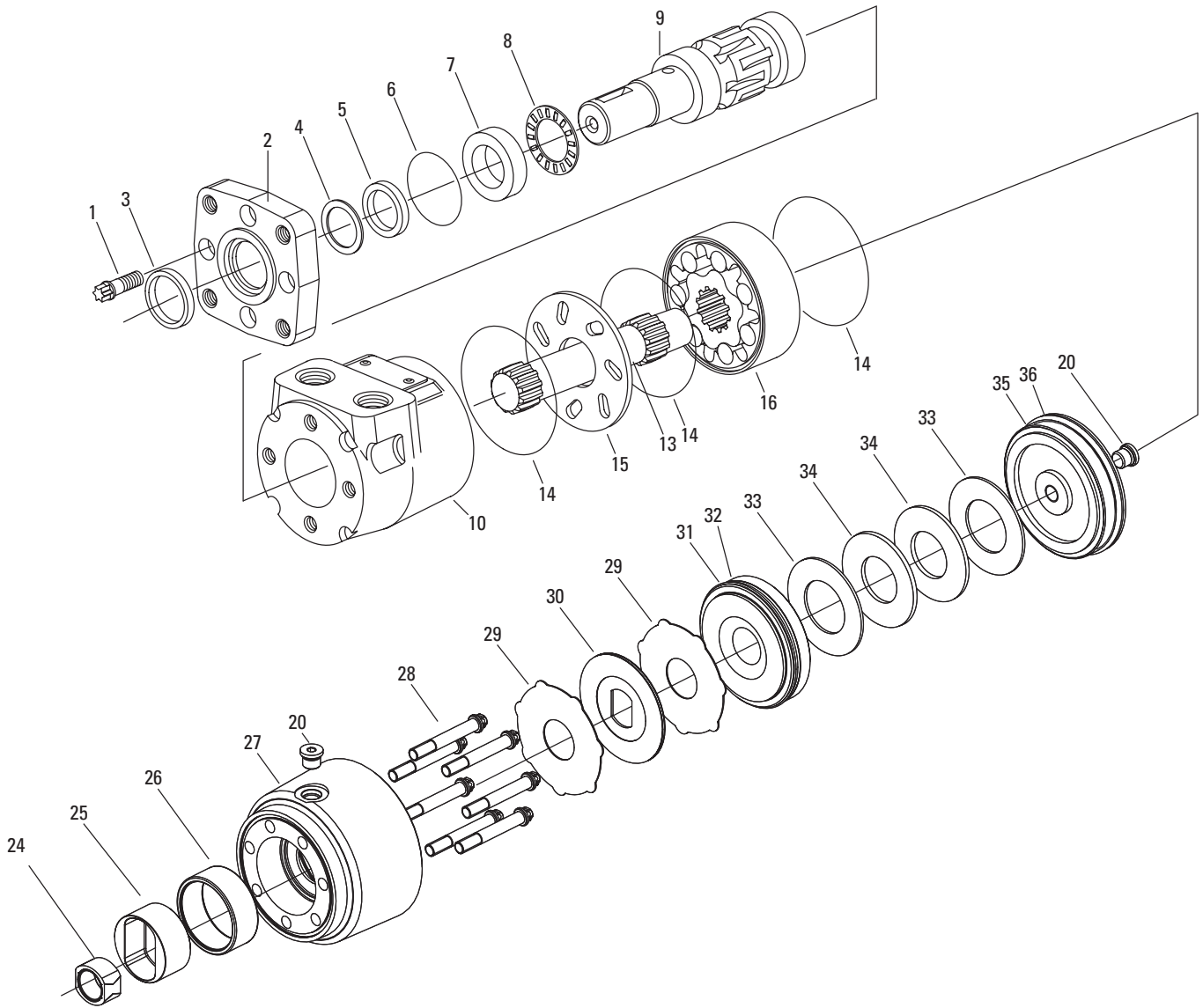


**Char-Lynn**

**T-Brake Motor**  
Parts Information



**Char-Lynn®**



REFERENCE NUMBER 13			REFERENCE NUMBER 16		REFERENCE NUMBER 28	
Displ. in./r	Drive	Length mm [in.]	Geroler	Width mm [in.]	Cap Screw	Length mm [in.]
36 [ 2.2]	4993321-010	91,4 [3.60]	22801-001	6,6 [ .26]	16294-200	50,8 [2.00]
49 [ 3.0]	4993321-001	94,0 [3.70]	22801-002	9,9 [ .35]	16294-212	53,8 [2.12]
66 [ 4.0]	4993321-011	97,1 [3.82]	22801-003	11,9 [ .47]	16294-225	57,2 [2.25]
80 [ 4.9]	4993321-002	99,8 [3.93]	22801-004	14,7 [ .58]	16294-238	60,5 [2.38]
102 [ 6.2]	4993321-003	106,4 [4.19]	22801-005	18,5 [ .73]	16294-250	63,5 [2.50]
131 [ 8.0]	4993321-004	109,2 [4.30]	22801-006	23,9 [ .94]	16294-275	69,9 [2.75]
157 [ 9.6]	4993321-005	114,3 [4.50]	22801-007	28,9 [1.14]	16294-288	73,1 [2.88]
195 [11.9]	4993321-006	120,7 [4.76]	22801-008	35,6 [1.40]	16294-312	79,2 [3.12]
244 [14.9]	4993321-007	130,0 [5.12]	22801-009	44,5 [1.75]	16294-350	88,9 [3.50]
306 [18.7]	4993321-008	141,5 [5.57]	22801-010	56,1 [2.21]	16294-400	101,6 [4.00]
370 [22.6]	4993321-009	153,2 [6.03]	22801-011	67,8 [2.67]	16294-425	108,0 [4.25]

REF. NO.	PART NUMBER	DESCRIPTION	QTY. PER UNIT	
01	16292-088	Screw, Cap (6 Point (E10) Drive 5/16-24 x 7/8)	4	
02	22000-001	Flange Mounting (2 Bolt)	1	
	22000-002	Flange Mounting (4 Bolt) 3/8-16 UNC	1	
	22000-004	Flange Mounting (2 Bolt SAE B)	1	
	22000-005	Flange Mounting (4 Bolt Magneto)	1	
	22000-006	Flange Mounting (4 Bolt) M10 x 1,5	1	
X 03	9121-002	Seal, Exclusion	1	
X 04	22002-000	Washer, Backup	1	
X 05	9057-014	Seal, Pressure	1	
X 06	9091-001	Seal	1	
	07	7462-000	Race, Thrust Bearing	1
	08	7537-000	Bearing, Thrust Needle	1
	09	7360-001	Shaft, Output (1 in. Dia. Straight with Woodruff Key Slot)	1
		7360-002	Shaft, Output (SAE 6B Splined)	1
		7360-007	Shaft, Output (1 in. Dia. Straight with .315 Dia. Crosshole)	1
		7360-008	Shaft, Output (1 in. Dia. Straight with .406 Dia. Crosshole)	1
		7360-016	Shaft, Output (7/8 in. Dia. SAE B 13 T Splined)	1
		7360-017	Shaft, Output (25 mm Dia. Straight)	1
		7360-018	Key, Woodruff (1 in. Dia. Tapered Shaft)	1
		7360-024	Key, Straight (for 7/8 in. Dia. Shaft)	1
		14193-000	Key, Woodruff (for 1" Dia. Shaft)	1
		14391-004	Key, Straight (for 7/8" Dia. Straight Shaft)	1
		14381-000	Nut, (for Tapered Shaft)	1
		14462-006	Key, Straight (for 25 mm Dia. Shaft)	1
10	201285-001	Housing, 7/8-14 O-ring Ports	1	
	201285-003	Housing, Manifold Ports (5/16-18 UNC)	1	
	201285-004	Housing, Manifold Ports (M8 x 1.5)	1	
	201285-006	Housing, (G 1/2 (BSP))	1	
11	N/A	O-ring	1	
12	N/A	Plug	1	
13	*	Drive	1	
X 14	9086-005	Seal	3	
	15	22808-000	Plate, spacer	1
	16	*	Geroler	1
	24	114981-002	Collar	1
	25	203002-003	Brake Shaft	1
	26	16341-002	Bearing	1
	27	4997010-001	Housing, Brake (7/16-20 Brake Release Port)	1
		4997010-002	Housing, Brake (G 1/4 Brake Release Port)	1

Note: Seal kits below do not include brake seals.

REF. NO.	PART NUMBER	DESCRIPTION	QTY. PER UNIT
29	4995288-001	Stationary Plate	2
30	203012-001	Pad, Friction S/A	1
31	4995340-001	Piston	1
32	14853-002	Seal, Piston	1
33	4995334-001	Washer	2
34	112726-001	Spring, Belleville	2
35	4997055-001	End Cap	1
36	250002-237	Seal, End Cap	1
20	9072-003	Plug S/A	1
	60564-000	Seal Kit (Buna N) — Contains Parts Indicated by X	
	60565-000	Seal Kit (same as above with one exception - Shaft Seal is Viton®)	
	60566-000	Seal Kit (Viton) — Contains Parts Indicated by X (Part No.s Differ from those Shown)	

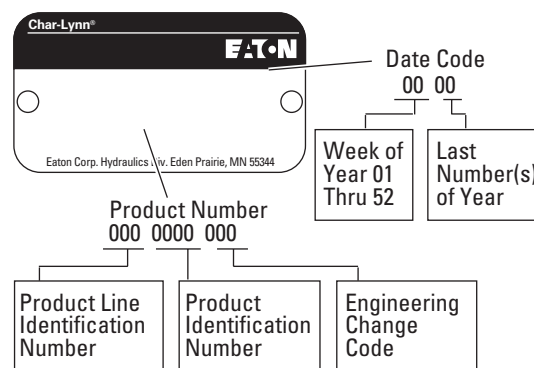
### How to Order Replacement Parts

Each Order Must Include the Following:

1. Product Number
2. Date Code
3. Part Name
4. Part Number
5. Quantity of Parts

For More Detailed Information Contact Eaton Corp. Hydraulics Division  
15151 Highway 5  
Eden Prairie, MN 55344

- Specifications and performance data, Catalog No. 11-872
- When servicing Steering Control Unit refer to Repair Information No. 7-308. This repair manual lists tools required, step by step disassembly and reassembly procedures.



**PRODUCT NUMBERS — T-BRAKE SERIES**

Add three digit prefix —185—to four digit number from chart for complete product number—Example 185-1068.  
Orders will not be accepted without three digit prefix.

Mounting	Shaft	Ports	Part# Prefix	3.0	4.0	4.9	6.2	8.0	9.6	11.9	14.9	18.7	22.6
2-Bolt	1" Keyed	7/8-14 O-ring	185-	2000	2001	2002	2003	2004	2005	2006	2007	2008	2009
		Manifold	185-	2010	2011	2012	2013	2014	2015	2016	2017	2018	2019
	6B Splined	7/8-14 O-ring	185-	2020	2021	2022	2023	2024	2025	2026	2027	2028	2029
		Manifold	185-	2030	2031	2032	2033	2034	2035	2036	2037	2038	2039
	13T Splined 16/32 pitch	7/8-14 O-ring	185-	2040	2041	2042	2043	2044	2045	2046	2047	2048	2049
		Manifold	185-	2050	2051	2052	2053	2054	2055	2056	2057	2058	2059
4-Bolt	1" Keyed	7/8-14 O-ring	185-	2060	2061	2062	2063	2064	2065	2066	2067	2068	2069
		Manifold	185-	2070	2071	2072	2073	2074	2075	2076	2077	2078	2079
	6B Splined	7/8-14 O-ring	185-	2080	2081	2082	2083	2084	2085	2086	2087	2088	2089
		Manifold	185-	2090	2091	2092	2093	2094	2095	2096	2097	2098	2099
	13T Splined 16/32 pitch	7/8-14 O-ring	185-	2100	2101	2102	2103	2104	2105	2106	2107	2108	2109
		Manifold	185-	2110	2111	2112	2113	2114	2115	2116	2117	2118	2119
2-Bolt SAE B	1" Keyed	7/8-14 O-ring	185-	2120	2121	2122	2123	2124	2125	2126	2127	2128	2129
		Manifold	185-	2130	2131	2132	2133	2134	2135	2136	2137	2138	2139
	6B Splined	7/8-14 O-ring	185-	2140	2141	2142	2143	2144	2145	2146	2147	2148	2149
		Manifold	185-	2150	2151	2152	2153	2154	2155	2156	2157	2158	2159
	13T Splined 16/32 pitch	7/8-14 O-ring	185-	2160	2161	2162	2163	2164	2165	2166	2167	2168	2169
		Manifold	185-	2170	2171	2172	2173	2174	2175	2176	2177	2178	2179

**PRODUCT NUMBERS WITH LOW SPEED VALVING — T-BRAKE SERIES**

Mounting	Shaft	Ports	Part# Prefix	3.0	4.0	4.9	6.2	8.0	9.6	11.9	14.9	18.7	22.6
2-Bolt	1" Keyed	7/8-14 O-ring	185-	2180	2181	2182	2183	2184	2185	2186	2187	2188	2189
		Manifold	185-	2190	2191	2192	2193	2194	2195	2196	2197	2198	2199
	6B Splined	7/8-14 O-ring	185-	2200	2201	2202	2203	2204	2205	2206	2207	2208	2209
		Manifold	185-	2210	2211	2212	2213	2214	2215	2216	2217	2218	2219
	13T Splined 16/32 pitch	7/8-14 O-ring	185-	2220	2221	2222	2223	2224	2225	2226	2227	2228	2229
		Manifold	185-	2230	2231	2232	2233	2234	2235	2236	2237	2238	2239
4-Bolt	1" Keyed	7/8-14 O-ring	185-	2240	2241	2242	2243	2244	2245	2246	2247	2248	2249
		Manifold	185-	2250	2251	2252	2253	2254	2255	2256	2257	2258	2259
	6B Splined	7/8-14 O-ring	185-	2260	2261	2262	2263	2264	2265	2266	2267	2268	2269
		Manifold	185-	2270	2271	2272	2273	2274	2275	2276	2277	2278	2279
	13T Splined 16/32 pitch	7/8-14 O-ring	185-	2280	2281	2282	2283	2284	2285	2286	2287	2288	2289
		Manifold	185-	2290	2291	2292	2293	2294	2295	2296	2297	2298	2299
2-Bolt SAE B	1" Keyed	7/8-14 O-ring	185-	2300	2301	2302	2303	2304	2305	2306	2307	2308	2309
		Manifold	185-	2310	2311	2312	2313	2314	2315	2316	2317	2318	2319
	6B Splined	7/8-14 O-ring	185-	2320	2321	2322	2323	2324	2325	2326	2327	2328	2329
		Manifold	185-	2330	2331	2332	2333	2334	2335	2336	2337	2338	2339
	13T Splined 16/32 pitch	7/8-14 O-ring	185-	2340	2341	2342	2343	2344	2345	2346	2347	2348	2349
		Manifold	185-	2350	2351	2352	2353	2354	2355	2356	2357	2358	2359

These motors with the low speed valving option provide very low speed while maintaining high torque.

**Designed to run continuously at up to 200 RPM at standard rated pressures and reduced flows,** provide exceptionally smooth operation at low speeds.

**Motors with this valving are not intended for low pressure applications (41 Bar [600 PSI] Minimum).** Shaft side / radial load ratings are not affected by this valving.

# Notes

# Notes

**Eaton**  
14615 Lone Oak Road  
Eden Prairie, MN 55344  
USA  
Tel: 952 937-9800  
Fax: 952 974-7722  
[www.hydraulics.eaton.com](http://www.hydraulics.eaton.com)

**Eaton**  
20 Rosamond Road  
Footscray  
Victoria 3011  
Australia  
Tel: (61) 3 9319 8222  
Fax: (61) 3 9318 5714

**Eaton**  
Dr.-Reckeweg-Str. 1  
D-76532 Baden-Baden,  
Germany  
Tel: +49 (0) 7221 682-0  
Fax: +49 (0) 7221 682-788



**Char-Lynn**

© 2004 Eaton Corporation  
All rights reserved  
Printed in USA  
Document No. C-MOLO-TP003-E  
January 2004