

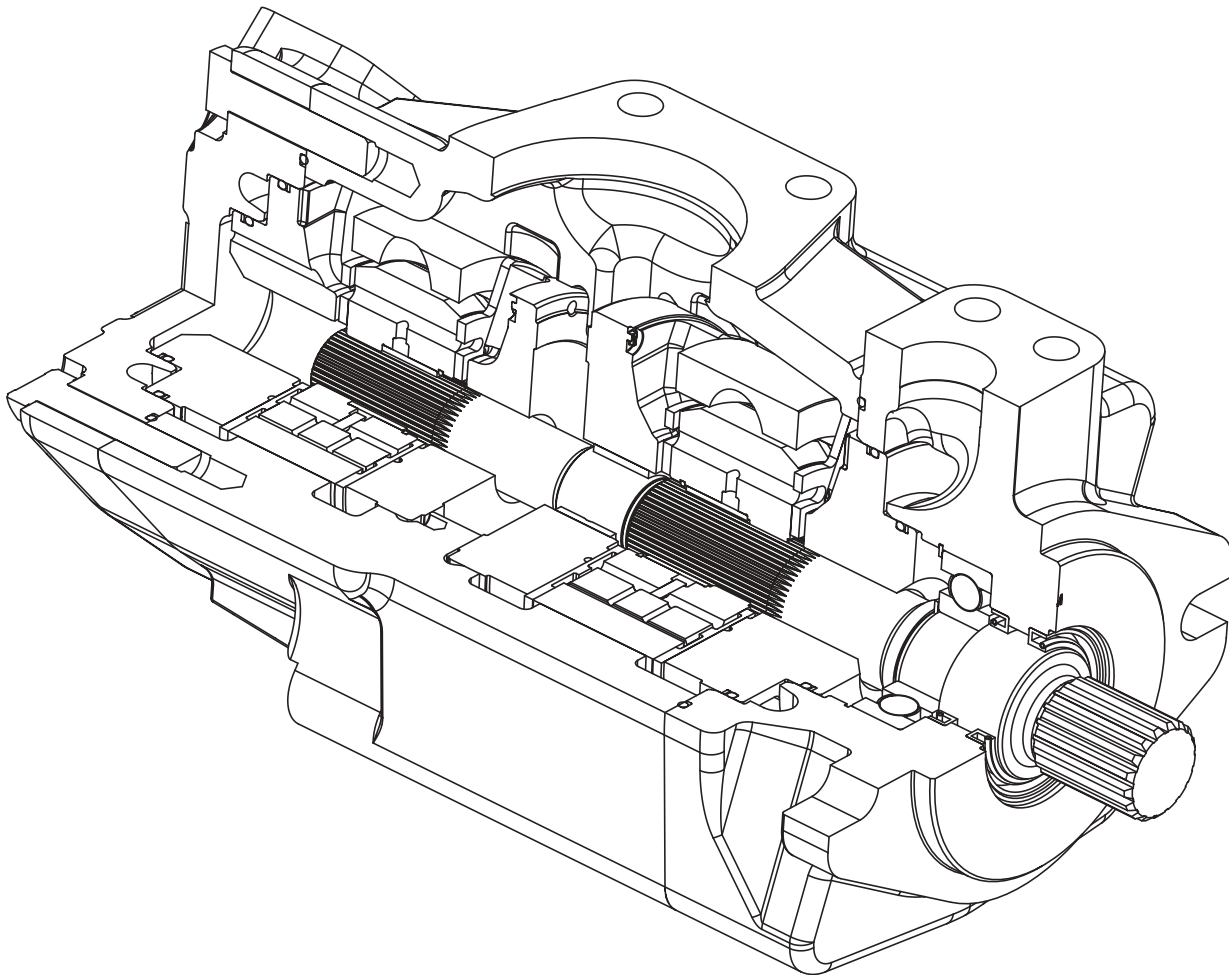
EAT•N

Vickers

**High Pressure, High Performance
Double Vane Pumps**

Parts Data

VMQ23525S Series
- 32 Design



VICKERS[®]

High Pressure, High Performance Double Vane Pump VMQ23525S Series — 32 Design

Note: Lubricate all parts and seals with a thin coat of oil at assembly.

- Included in Cartridge Kit (see table)
- ▲ Included in 02-334556 STD Seal Kit, Single Shaft Seal or 02-334557 Viton® Seal Kit, Single Shaft Seal.
- △ Included in 02-334639 STD Seal Kit, Double Shaft Seal or 02-334640 Viton® Seal Kit, Double Shaft Seal.
- * With double and triple pumps, the orientation of the kits is such that the kit rotation is a reverse of the pump rotation. See tables X1 and X2 for the correct kit rotation relative to the pump rotation.

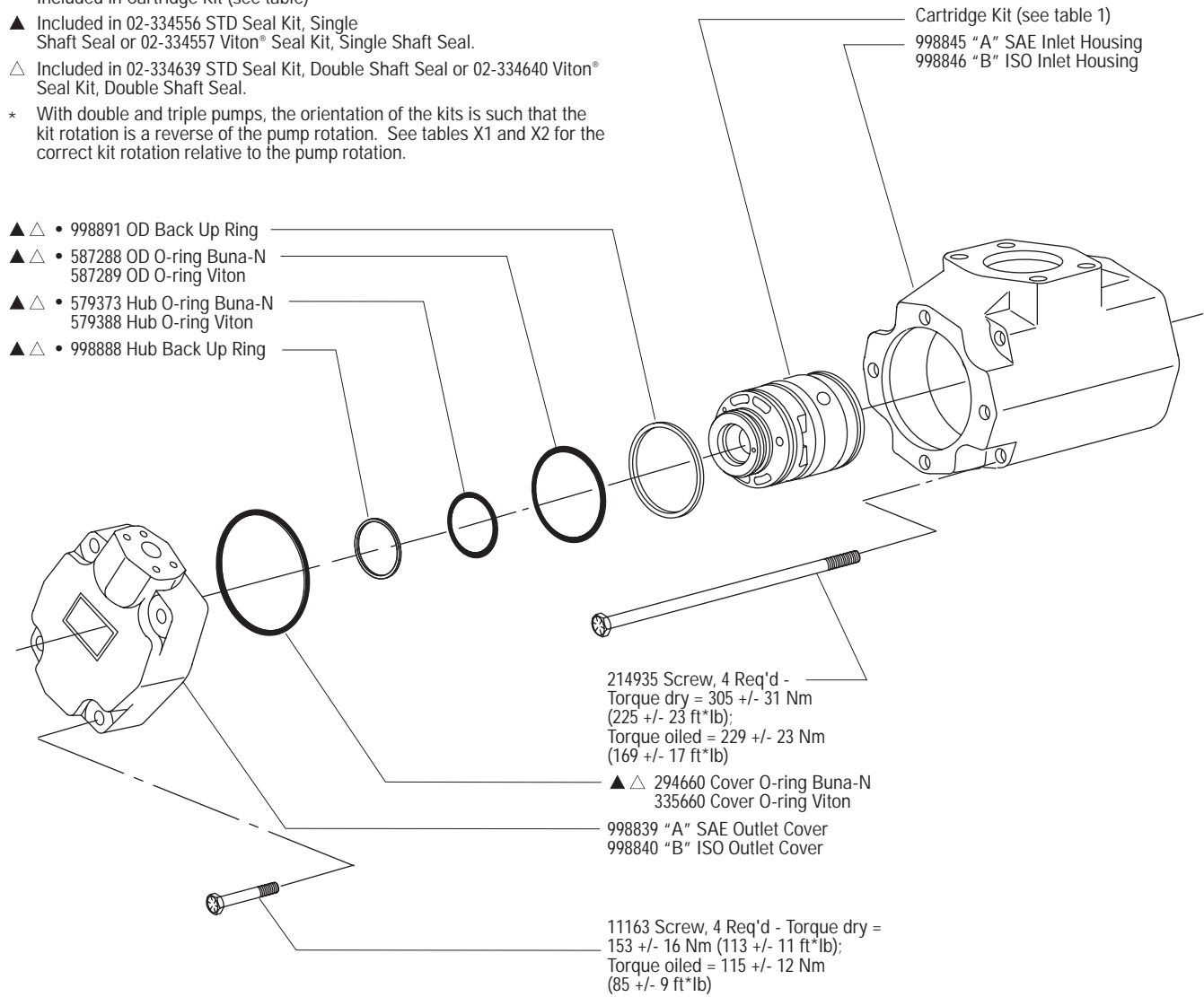


TABLE X1

Cartridge Kit Rotation for Right Hand Rotation Pump

PUMP ROTATION	R= Right Hand Rotation		L=Left Hand Rotation	
	SHAFT END KIT ROTATION	CENTER KIT ROTATION	COVER END KIT ROTATION	
Double (R)	(R)	-	(L)	

*Notes: - A right hand rotation pump has the shaft turning clockwise when viewed from the input shaft end
- When ordering a right hand rotation kit, the part number will not have a suffix.

TABLE X2

Cartridge Kit Rotation for Left Hand Rotation Pump

PUMP ROTATION	R= Right Hand Rotation		L=Left Hand Rotation	
	SHAFT END KIT ROTATION	CENTER KIT ROTATION	COVER END KIT ROTATION	
Double (L)	(L)	-	(R)	

*Notes: - A left hand rotation pump has the shaft turning counterclockwise when viewed from the input shaft end
- When ordering a left hand rotation kit, the part number will have a suffix of '-L'

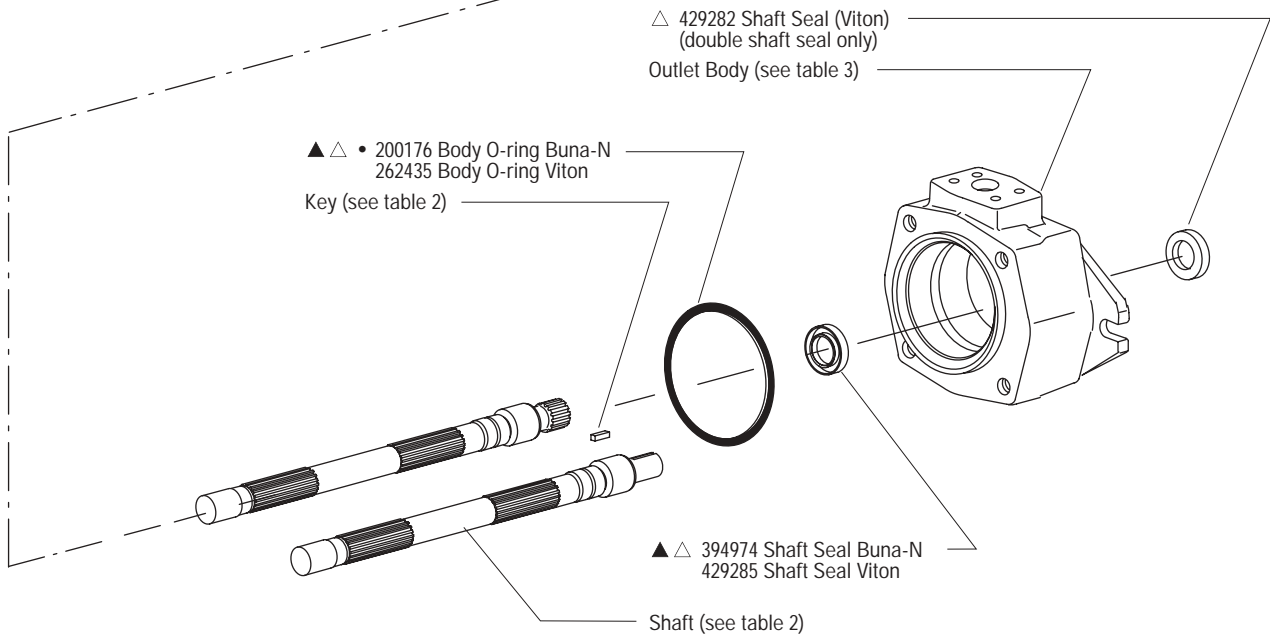
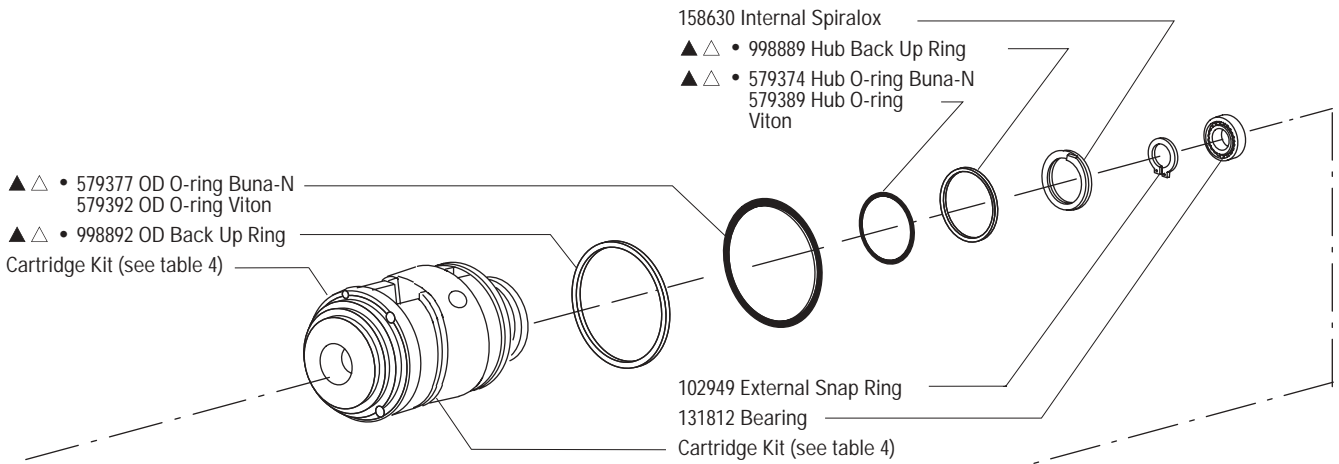


TABLE 1

MODEL CODE COVER END	* ● CARTRIDGE KIT (BUNA-N)	* ● CARTRIDGE KIT (VITON®)
VMQ23525S***010	02-465574	02-465569
VMQ23525S***016	02-465575	02-465570
VMQ23525S***020	02-465576	02-465571
VMQ23525S***025	02-465578	02-465572
VMQ23525S***032	02-465577	02-465573
VMQ23525S***040	02-348974	02-348981
VMQ23525S***045	02-348975	02-348982
VMQ23525S***050	02-348976	02-348983
VMQ23525S***063	02-348977	02-348984
VMQ23525S***071	02-348978	02-348985
VMQ23525S***080	02-348979	02-348986
VMQ23525S***090	02-348980	02-348987

Viton® is a registered trademark of E.I. Dupont Co.

TABLE 2

MODEL CODE	SHAFT	KEY
VMQ23525S-***-***-**-01	934075	928541
VMQ23525S-***-***-**-02	934076	—
VMQ23525S-***-***-**-03	934077	928546
VMQ23525S-***-***-**-04	934078	928564
VMQ23525S-***-***-**-05	934079	928542
VMQ23525S-***-***-**-06	934080	—
VMQ23525S-***-***-**-07	934081	928547
VMQ23525S-***-***-**-08	934082	928565

TABLE 3

OUTLET BODY				
Flange Mounting Style	Single Shaft Seal		Double Shaft Seal	
	Inch Port Threads	Metric Port Threads	Inch Port Threads	Metric Port Threads
SAE B	998732	998734	998733	998735
ISO 100	—	998736	—	998737

TABLE 4

MODEL CODE SHAFT END	* ● CARTRIDGE KIT (BUNA-N)	* ● CARTRIDGE KIT (VITON®)
VMQ23525S090***	02-346986	02-346987
VMQ23525S100***	02-346984	02-346985
VMQ23525S112***	02-346982	02-346983
VMQ23525S125***	02-346980	02-346981
VMQ23525S135***	02-346978	02-346979
VMQ23525S140***	02-348374	02-348376
VMQ23525S158***	02-348181	02-348180

Viton® is a registered trademark of E.I. Dupont Co.

Model Code

VMQ2 ** ** S *** *** * O ** OO * * * * * * * * OO * O 32

1 2 3 4 5 6 7 8 9 10 11 12 13 14 15 16 17 18 19 20 21 22 23 24 25 26 27 28 29 30 31 32 33 34 35

1 2 3 4 Series designation
VMQ2 – Vane pump double series

5 6 Frame size (front section)
35 – 90-158 cm³/r
(5.49-9.64 in³/r)

7 8 Frame size (rear section)
25 – 10-90 cm³/r
(0.62-5.49 in³/r)

9 Pump type
S – Standard

10 11 12 Displacement (front section)

Frame size 35
090 – 90 cm³/r (5.49 in³/r)
100 – 100 cm³/r (6.10 in³/r)
112 – 112 cm³/r (6.83 in³/r)
125 – 125 cm³/r (7.63 in³/r)
135 – 135 cm³/r (8.24 in³/r)
140 – 140 cm³/r (8.54 in³/r)
158 – 158 cm³/r (9.64 in³/r)

13 14 15 Displacement (rear section)

Frame size 25
010 – 10 cm³/r (0.62 in³/r)
016 – 16 cm³/r (0.98 in³/r)
020 – 20 cm³/r (1.23 in³/r)
025 – 25 cm³/r (1.58 in³/r)
032 – 32 cm³/r (1.96 in³/r)
040 – 40 cm³/r (2.44 in³/r)
045 – 45 cm³/r (2.75 in³/r)
050 – 50 cm³/r (3.05 in³/r)
063 – 63 cm³/r (3.84 in³/r)
071 – 71 cm³/r (4.33 in³/r)
080 – 80 cm³/r (4.88 in³/r)
090 – 90 cm³/r (5.49 in³/r)

16 Front flange mounting style
B – SAE C 2-bolt
127,00 (5.000) x 12,4
(0.49) pilot
17,6 (0.69) slots on
181,0 (7.13) bolt circle
D – ISO 3019/2 125A2HW
2-bolt
125,00 (4.921) x 9,2
(0.36) pilot
18,1 (0.71) slots on
180,0 (7.09) bolt circle

17 Adapter flange
0 – None (standard
double pump)

18 19 Input shaft type*
01 – SAE J744 keyed
Frame size 35:
31,75 (1.250)
02 – SAE J744 splined
Frame size 35: C
03 – ISO 3019/2 keyed
Frame size 35:
32,00 (1.260)
05 – SAE J744 keyed
Frame size 35:
38,10 (1.500)
06 – SAE J744 splined
Frame size 35: C-C
07 – ISO 3019/2 keyed
Frame size 35:
40,00 (1.575)

20 21 Output shaft coupling
00 – None (standard
double pump)

22 Inlet port type
A – SAE J518 4-split flange
B – ISO 6162 4-bolt flange

23 Front outlet port type
A – SAE J518 4-bolt flange
B – ISO 6162 4-bolt flange

24 Rear outlet port type
A – SAE J518 4-bolt flange
B – ISO 6162 4-bolt flange

25 Front outlet port position
Viewed from cover end of
pump
A – Opposite inlet port
B – 90° CCW to inlet port
C – In-Line with front
inlet port
D – 90° CW to inlet port

26 Rear outlet port position
Viewed from cover end
of pump
A – 135° CCW to inlet port
B – 45° CCW to inlet port
C – 45° CW to inlet port
D – 135° CW to inlet port

27 Shaft Seal
A – Single, primary
B – Double, secondary
(spring side out)
Recommended for wet
mount applications

28 Seal Type
N – Buna-N
V – Viton
W – Buna-N with Viton
shaft seal(s)

29 Shaft rotation
Viewed from shaft end
of pump
L – Left Hand (CCW)
R – Right Hand (CW)

30 31 Special features
00 – None

32 Paint
O – None
A – Blue

33 Customer identification
O – None

34 35 Design code
32 – 32 design
Installation dimensions
remain unchanged for
design numbers 30 to 39
inclusive.

* Verify shaft torque ratings meet or exceed input torque requirements

Eaton
14615 Lone Oak Road
Eden Prairie, MN 55344
USA
Tel: 952 937-9800
Fax: 952 974-7722
www.hydraulics.eaton.com

Eaton
20 Rosamond Road
Footscray
Victoria 3011
Australia
Tel: (61) 3 9319 8222
Fax: (61) 3 9318 5714

Eaton
Dr.-Reckeweg-Str. 1
D-76532 Baden-Baden
Germany
Tel: (49) 7221 682-0
Fax: (49) 7221 682-788

VICKERS[®]

EATON

Vickers

© 2003 Eaton Corporation
All rights reserved
Printed in USA
Document No. V-PUVN-TP009-E
June 2003 1M