

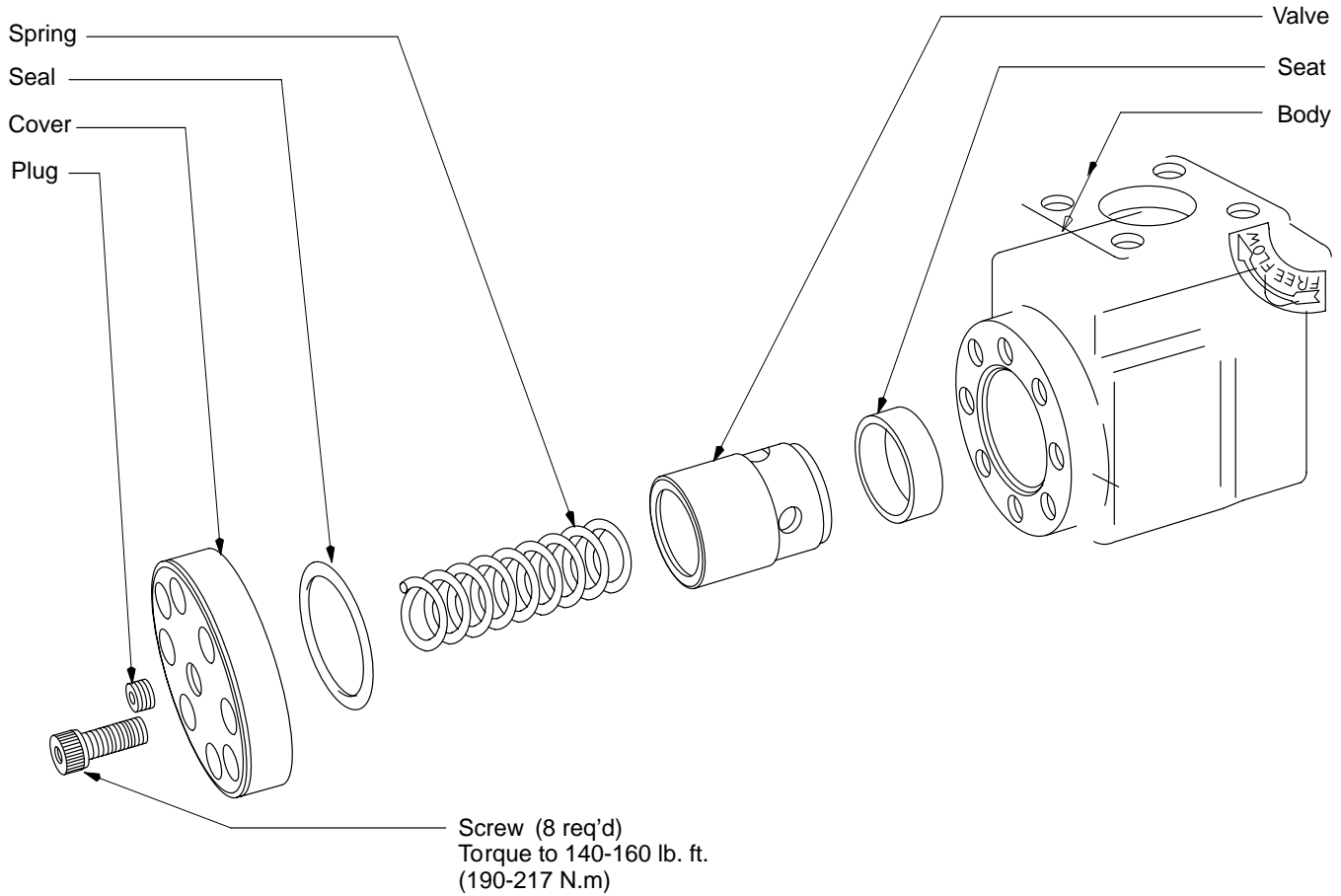
# Check Valves



## Right Angle Check Valves

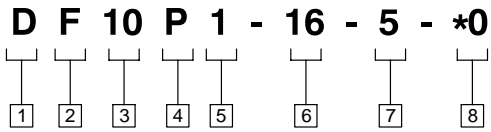
DF10P1-16-\*(\*)-10/20

DF10P1-24-\*(\*)-20



Model	Screw (8 req'd)	Plug	Cover	Seal	Spring	Valve	Seat	Body
DF10P1-16-5-10	1113	—	26902	154084	20898	26904	10749	117677
DF10P1-16-65-10					117683			
DF10P1-16-5-20					20898			133175
DF10P1-16-65-20					117683			
DF10P1-24-0-20	298187	7078	46565	154096	—	48180	46561	133176
DF10P1-24-1-20					98272			
DF10P1-24-5-20					46563			
DF10P1-24-10-20					212147			
DF10P1-24-20-20					236242			
DF10P1-24-35-20					429225			
DF10P1-24-65-20					117684			

# Model Code



<p><b>1 Model Series</b> Directional Control</p>	<p><b>4 Poppet</b></p>	<p><b>7 Cracking Pressure</b> <u>16 Size</u> 5 - 5 PSI 65 - 65 PSI <u>24 Size</u> 0 - 0 PSI 1 - 1 PSI 5 - 5 PSI 20 - 20 PSI 35 - 35 PSI 65 - 65 PSI</p>
<p><b>2 Connection</b> F - Flanged</p>	<p><b>5 Flow Direction</b> 1 - 1 way</p>	<p><b>8 Design</b> 16 - 10/20 24 - 20</p>
<p><b>3 Right Angle Type</b></p>	<p><b>6 Nominal Size</b> 16 - 1-1/2" or 2" 24 - 2-1/2" or 3"</p>	