

Directional Valves



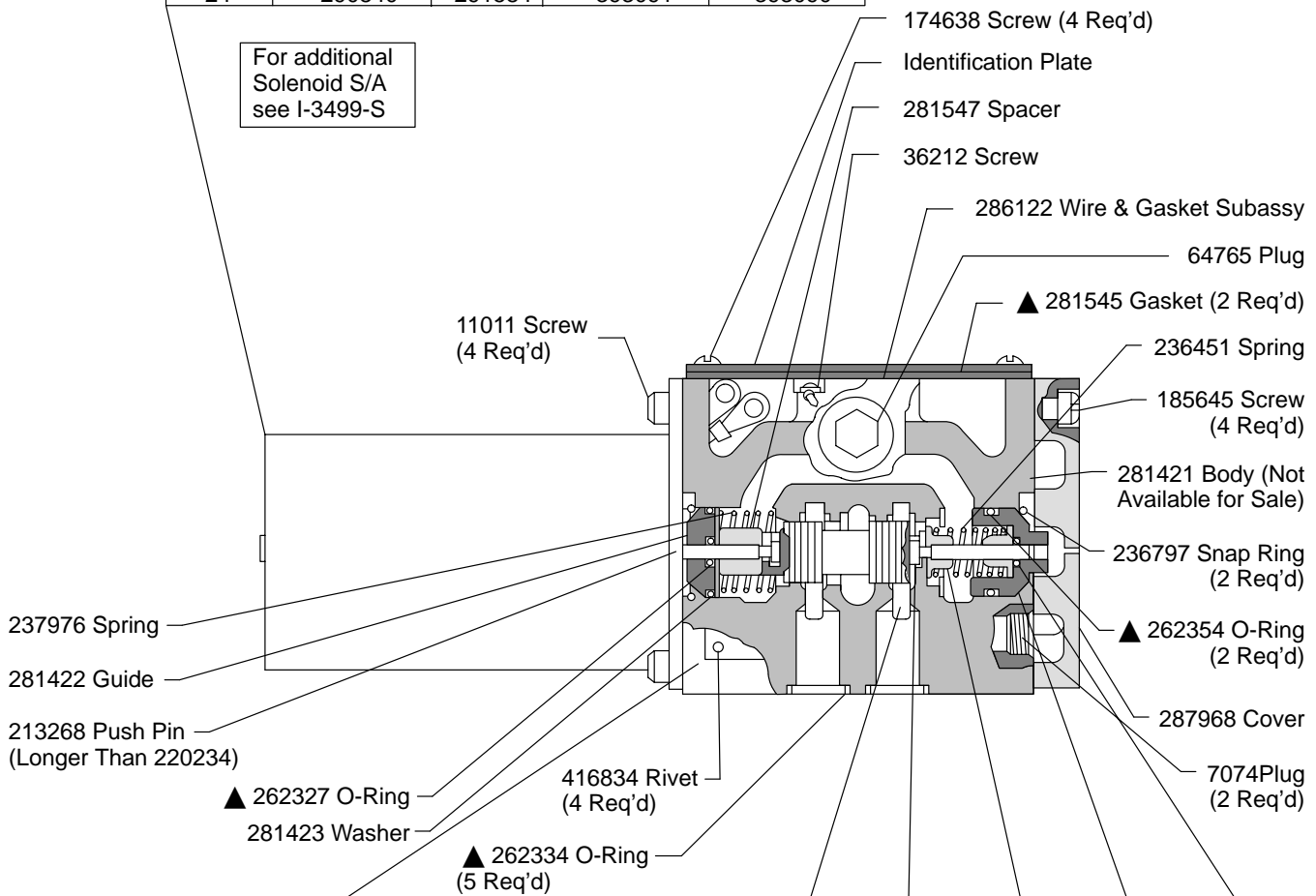
Spring Offset Solenoid Controlled Directional Valves

DG4S2-012A-*DC-50

DG4S4-01*A-*DC-50

Voltage DC	Solenoid S/A (2 Req'd)	Coil S/A (2 Req'd)	Solenoid S/A F3 (2 Req'd)	Coil S/A F3 (2 Req'd)
12	290839	291583	751283	751284
24	290840	291584	393091	393090

For additional Solenoid S/A see I-3499-S



Model	Diagram Plate	
	RH	LH
DG4S2(L)-	290347	577488
DG4S4(L)-	290348	577490

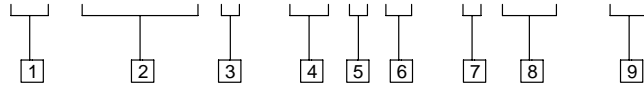
Model	Spool	Push Pin	Limiter (2 Req'd)	Guide	▲ O-Ring
DG4S2-012A-*DC-50	220344	—	—	281424	—
DG4S4-010A-*DC-50	213230	—	—	—	—
DG4S4-012A-*DC-50	213231	220234	294226	284931	262327
DG4S4-016A-*DC-50	213232	—	—	—	—

Right hand assembly shown. In left hand assembly all parts of valve except body are reversed.
 Example of L.H. model:
 DG4S4-012A-*DC-50-LH

▲ Included in F3 Seal Kit 919359

Model Code

F3 DG4S * - 01 * A - * DC - 50



1 Seal Material

F3 - Viton

4 Series

5 Spool Type

7 Solenoid Voltage

8 DC Solenoid

2 Model Series

DG4S - Directional valve, gasket mounted, solenoid operated, sliding spool

6 Spring Offset

9 Design

3 Flow Directions

2 - 2 way

4 - 4 way

For satisfactory service life of these components, use full flow filtration to provide fluid which meets ISO cleanliness code 20/18/15 or cleaner. Selections from Eaton OFF, OFR, and OFRS series are recommended.