

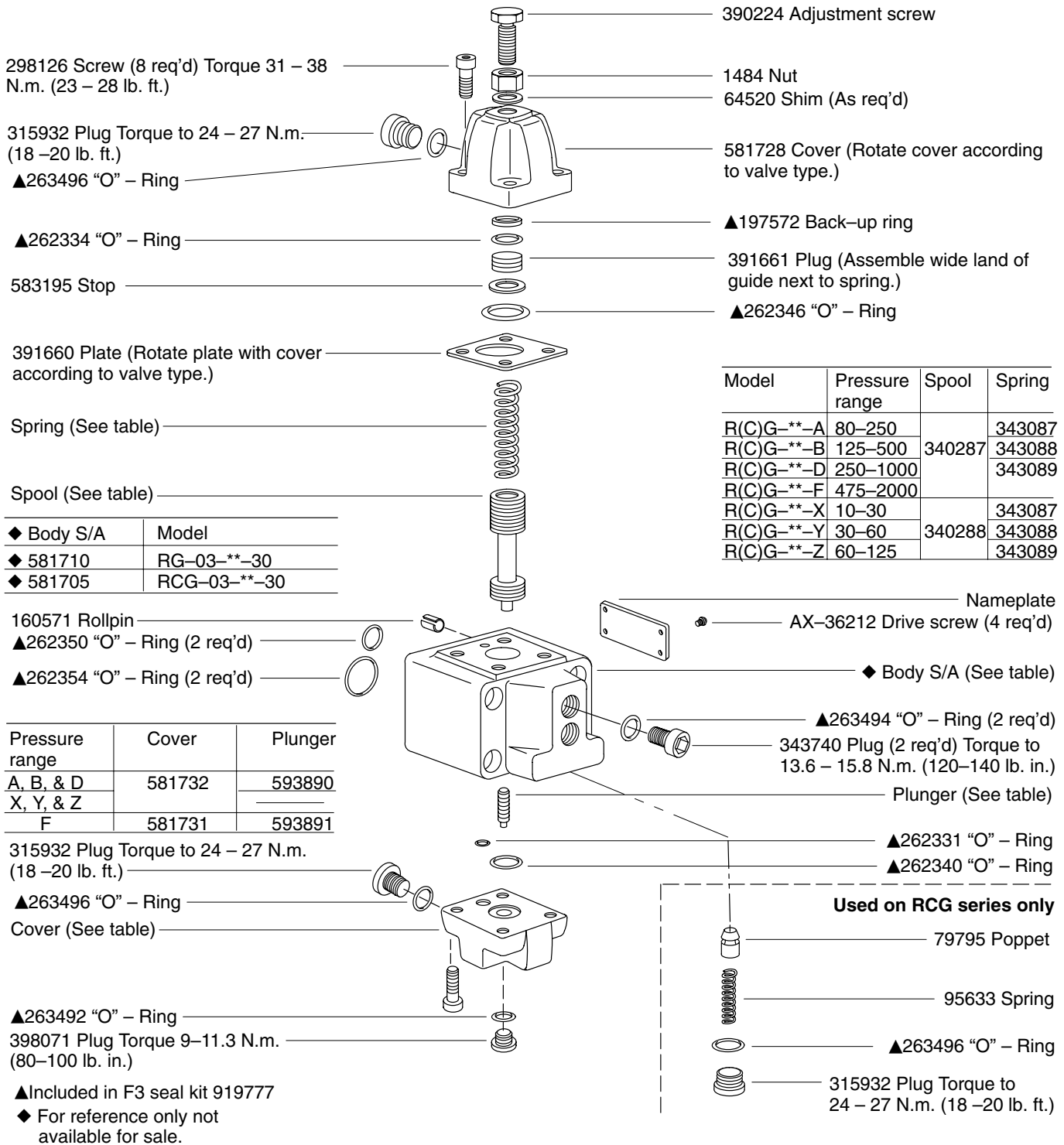
Directional Controls



Service Data

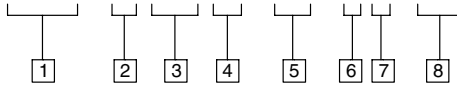
Pressure Control Valves

R(C)G-03-**-30 Series



Model Code

(F3) - R (C) G - 03 - * * - 30



1 Special seals
(Omit on STD. models.)

2 Pressure control valve

3 Check valve option
C – With integral check valve
 (Reverse free flow)
Omit – No check valve

4 Mounting
 Manifold or Subplate

5 Nominal valve size
03 – $\frac{3}{8}$ ''

6 Pressure range
A – 250 PSI max.
B – 500 PSI max.
D – 1000 PSI max.
F – 2000 PSI max.
X – 30 PSI max.
Y – 60 PSI max.
Z – 125 PSI max.

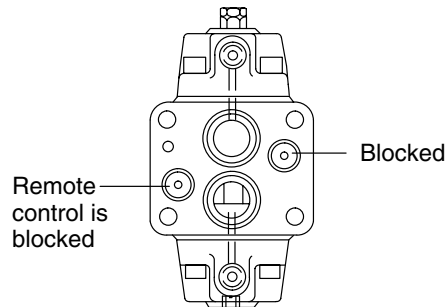
7 Valve types
 (Inset views at bottom of page show cover positions for the (4) valve types.)

8 Design

Typical model number
RCG-03-D4-30

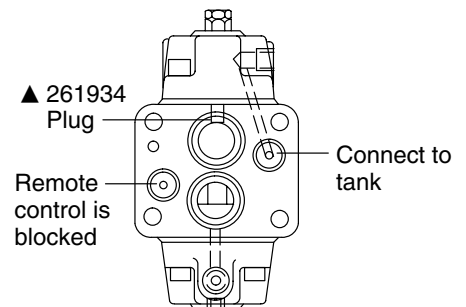
Note
 Assemble covers as shown to obtain valve action desired.

Type 1
 RG series – Back pressure valve
 RCG series – Counterbalance valve
 Directly controlled internal drain

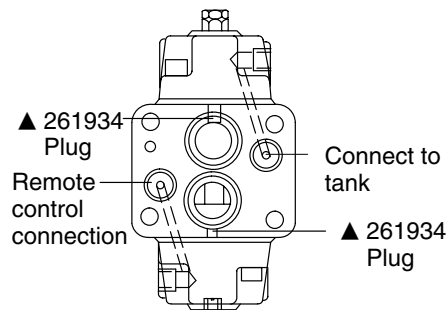


Note
 Assemble covers as shown to obtain valve action desired.

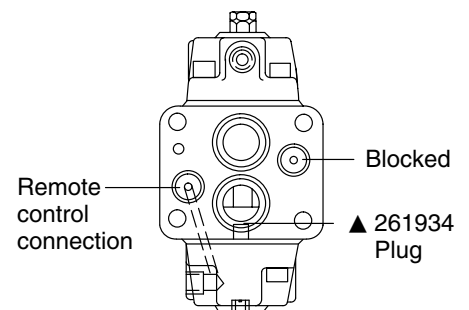
Type 2
 RG or RCG series – Sequence valves
 Directly controlled external drain



Type 3
 RG or RCG series – Sequence valves
 Remotely controlled external drain



Type 4
 RG series – Unloading valve
 RCG series – Counterbalance valve
 Remotely controlled internal drain



For satisfactory service life of these components, use full flow filtration to provide fluid which meets ISO cleanliness code 16/13 or cleaner. Selections from pressure, return, and in-line filter series are recommended.