

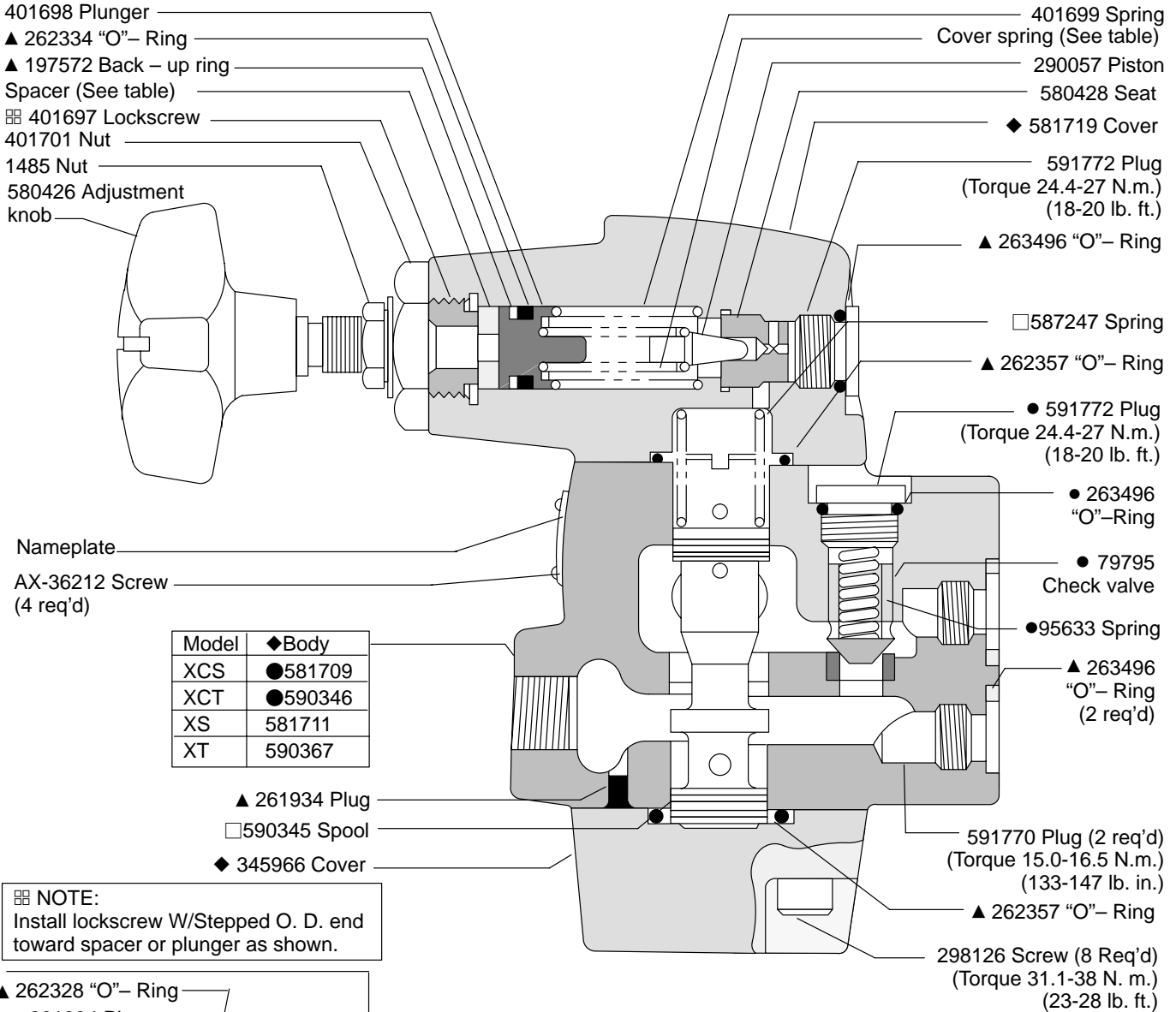
Pressure Controls



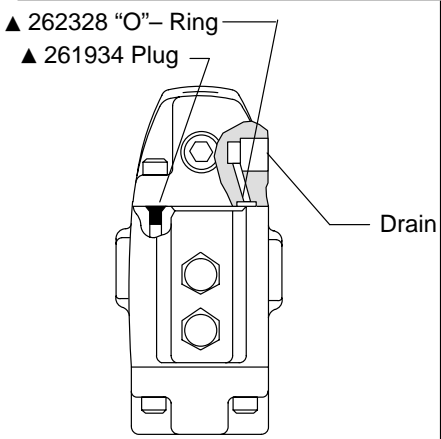
Pressure Reducing Valves

X(C)T-H03-*-30

X(C)S-H03-*-30



NOTE:
 Install lockscrew W/Stepped O. D. end toward spacer or plunger as shown.



Model	Cover spring	Spacer	Pressure range P.S.I.
X(C)*-H03-1-30	2280	—	1000
X(C)*-H03-2-30	583937	—	2000
X(C)*-H03-3-30	401700	386715	2850

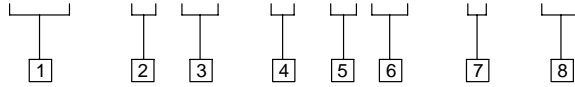
◆ Not available for sale.

● Used on model XC* only.

▲ Service all units with F3 seal kit 919836.

Model Code

(F3) - X (C) * - H 0 3 - * - 30



1 Seals

F3 - Seals for mineral oil and fire resistant fluids

2 Pressure Reducing Valve

3 Integral Check Valve

4 Threaded Connections

S - .750-16 UNF-2B thd.
T - 3/8 inch NPTF thd.

5 High Flow - 30 USgpm

6 Nominal valve size

03 - 3/8 inch

7 Maximum adjustable pressure

1 - 1000 PSI
2 - 2000 PSI
3 - 2850 PSI

8 Design

For satisfactory service life of these components, use full flow filtration to provide fluid which meets ISO cleanliness code **20/18/15** or cleaner. Selections from Eaton OFP, OFR and OFRS filter series are recommended.