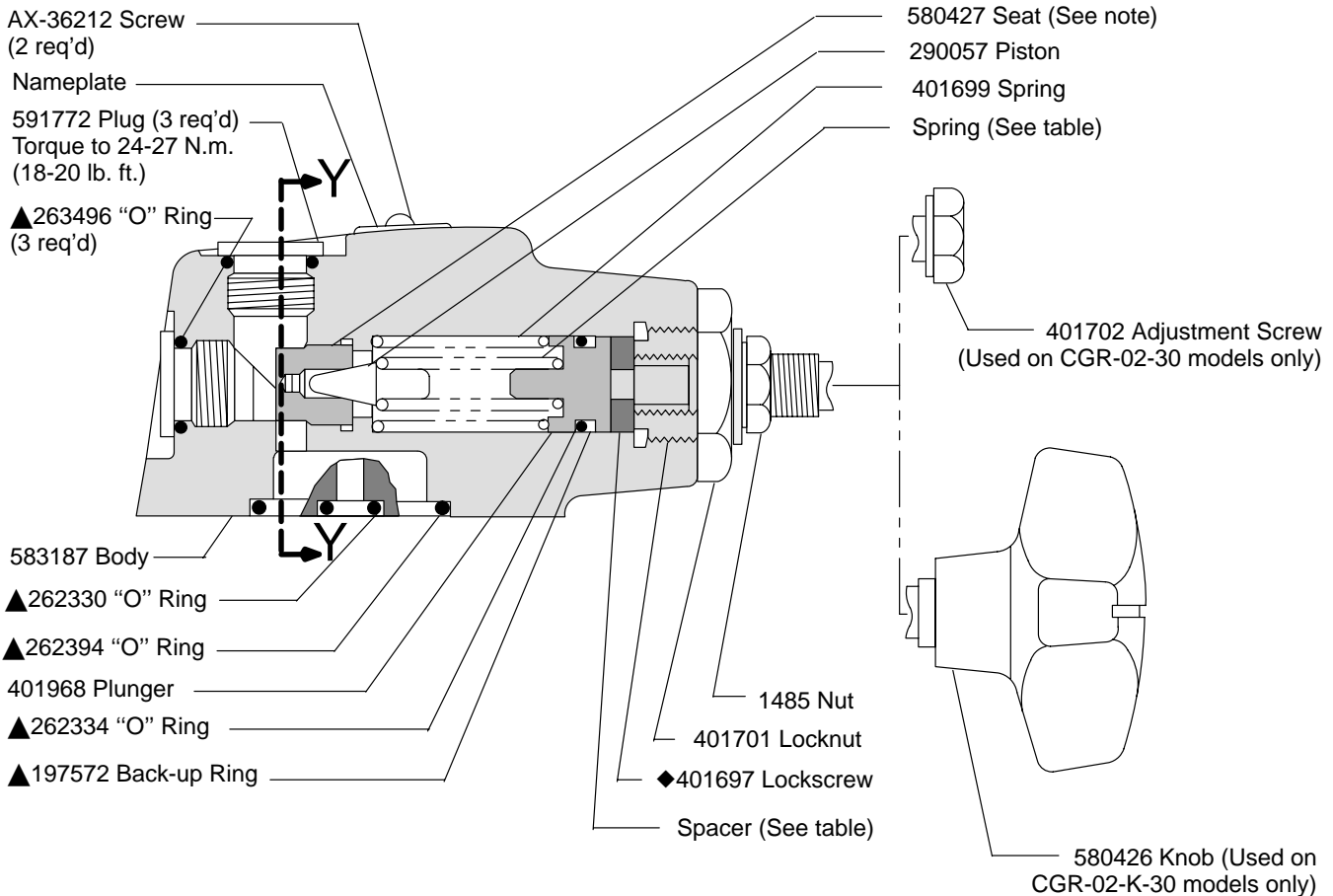


Relief Valves

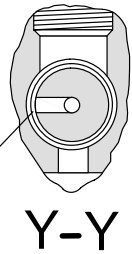


Remote Control Relief Valves

(F3) CGR-02-*(K)-30



Note
 Assemble 580427 seat with cross hole in position shown or 180° from position shown.



◆ Install lockscrew with stepped O.D. end toward spacer or plunger as shown.

Model	Max. Adj. Pressure	Spring	Spacer
CGR-02-B-(K)-30	1000 psi	2280	—
CGR-03-C-(K)-30	2000 psi	583937	—
CGR-02-F-(K)-30	3000 psi	401700	386715

▲ Service all units w/F3 Seal Kit 919854

Model Code

(F3) - CGR - 02 - * - (K) - 30

┌───┐ ┌───┐ ┌───┐ ┌───┐ ┌───┐ ┌───┐
└───┘ └───┘ └───┘ └───┘ └───┘ └───┘
1 2 3 4 5 6

1 Seals

F3 - Seals for mineral oil and fire resistant fluids

3 Size

02 - 1/4 inch

5 Adjustment

K - Optional knob
(Omit for hex head adjustment screw)

2 Model Series

CGR - 0-3000 psi Manifold or subplate mounted relief valve, remote control

4 Maximum Adjustable Pressure

B - 1000 psi
C - 2000 psi
F - 3000 psi

6 Design

For satisfactory service life of these components, use full flow filtration to provide fluid which meets ISO cleanliness code 18/15 or cleaner. Selections from Eaton OFP, OFR and OFRS filter series are recommended.

Printed in U.S.A.