



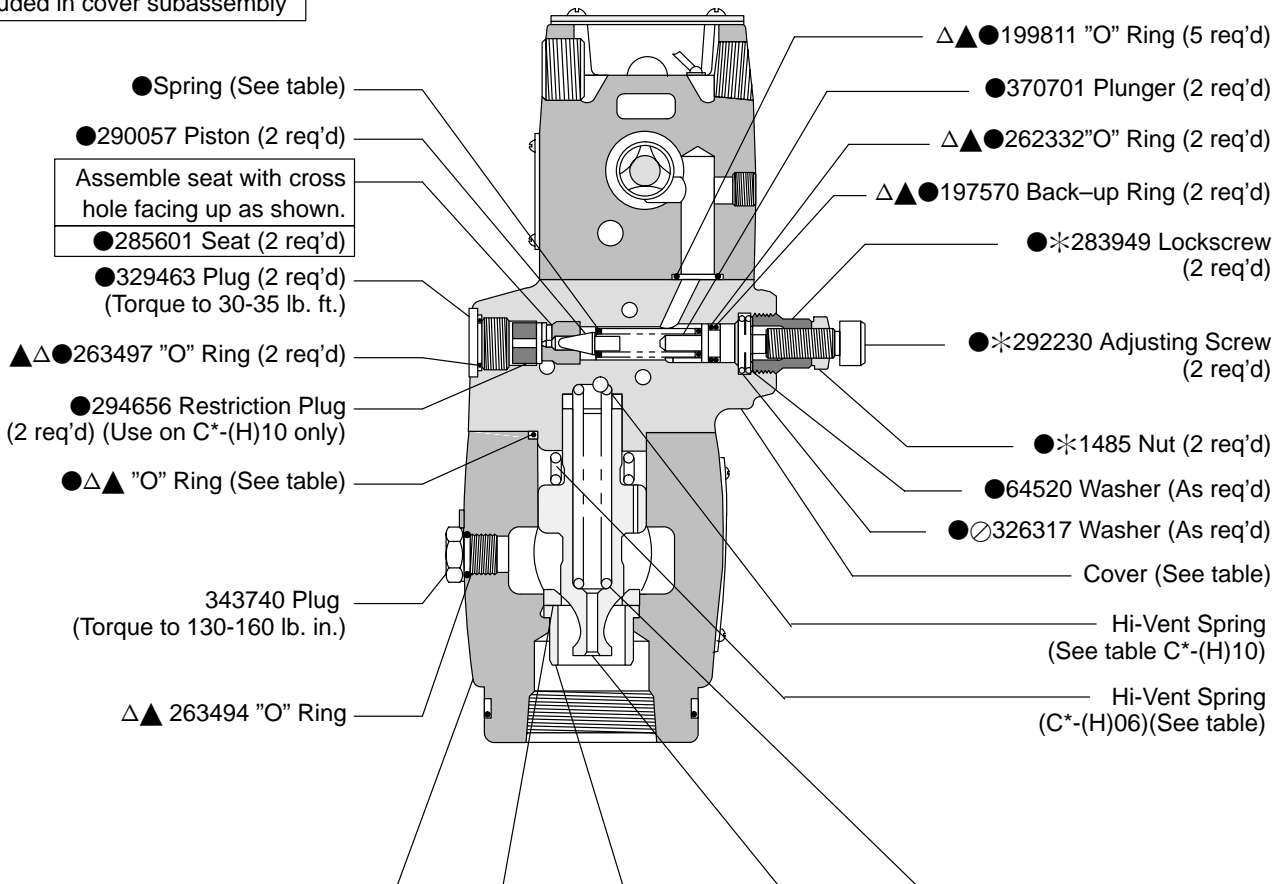
## Multi-Pressure Relief Valves

CS/CT-(H)-06-\*(V)(P)(\*)-DG(L)-0\*-(H)-(\*)-20

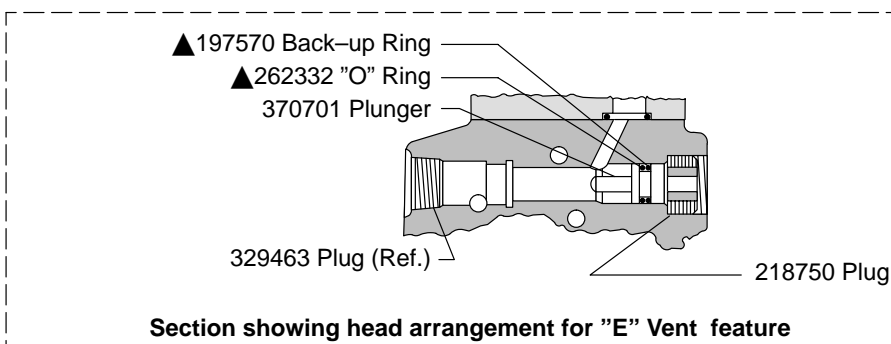
CS/CT-(H)-10-\*(V)(P)(\*)-DG(L)-0\*-(H)-(\*)-20

Model	Head #1		Head #3		●CT-(H)06 Cover S/A	●CT-(H)10 Cover S/A
	● Spring	Pressure Range PSI	● Spring	Pressure Range PSI		
C*-(H)06/(H)10-BC	2280	125-1000	583937	500-2000	942155	942156
C*-(H)06/(H)10-BF			2281	1500-3000		
C*-(H)06/(H)10-CF	583937	500-2000				

●Included in cover subassembly



Model	●"O" Ring	Body	Seat	Sleeve	Hydro Cone	Lo-Vent Spring	Hi-Vent Spring	Cover
CS-06	▲262361	581701	343153	—	343154	2077	184458	370666
CS-H06			589473	589472				
CS-10	▲262367	580430	283954	—	283952	291822	291821	370671
CS-H10			587996	400730				
CT-06	▲262361	590348	343153	—	343154	2077	184458	370666
CT-H06			589473	589472				
CT-10	▲262367	590300	283954	—	283952	291822	291821	370671
CT-H10			587996	400730				



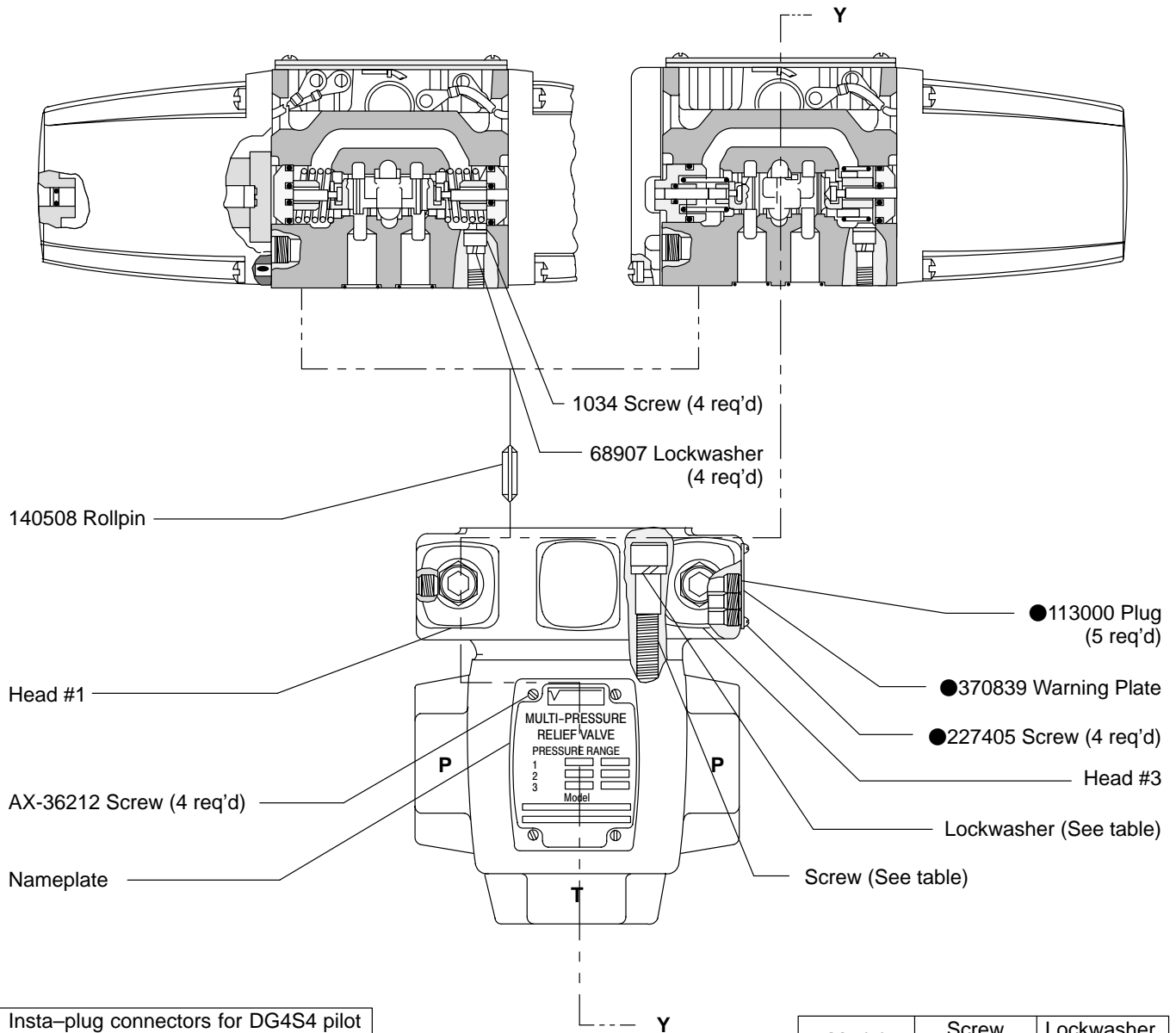
Use either a Lo-Vent or Hi-Vent spring as shown. Do not use both.

○This part used at final test to obtain correct pressure range.

**\*Note**  
Coat 292330 Adjusting Screw, 283949 Lock Screw and 1485 Locknut with oil prior to assembly.

**DG4S4-010N-\*-51 Pilot Valve**  
(Refer to I-3471-S for parts information)

**DG4S4-010A-\*-50 Pilot Valve**  
(Refer to I-3478-S for parts information)



Insta-plug connectors for DG4S4 pilot stage are shown on drawing I-3487-S.

Model	Screw (4 req'd)	Lockwasher (4 req'd)
C*-(H)06	1036	68907
C*-(H)10	1076	68909

All seals, except directional valve interface seals, are F3. Use F3 seal kit to service all units.

▲ Included in (F3)C\*-(H)06 Seal Kit 919684

Δ Included in (F3)C\*-(H)10 Seal Kit 919685



**WARNING**

Do not use other than a DG4S4-010A-\*-50 or a DG4S4-010N-\*-51 directional valve as the pilot for this relief valve. Use of a different pilot can block the relief valve, causing excessive system pressure.

Oil immersed solenoid information is shown on drawing I-3498-S.

# Model Code

(F3) - C \* - (H) \*\* - \* (V) (P) (\*) D G (L) - 0 \* - (H) - (\*) - 20

1 2 3 4 5 6 7 8 9 10 11 12 13 14 15 16 17

## 1 Seal Material

**F3** - Seals for mineral oil and fire resistant fluids

## 2 Model Series

**C** - Relief valve

## 3 Connection

**S** - Straight thread  
**T** - NPTF threaded

## 4 Flow Type

**H** - High flow

## 5 Nominal Size

**06** - 3/4"  
**10** - 1 1/4"

## 6 Pressure Range PSI

(For head #1 or #3)

**B** - 125 - 1000  
**C** - 500 - 2000  
**F** - 1500 - 3000  
**E** - Vent

## 7 Vent Spring

**V** - Hi-vent spring  
**Omitted** - Lo-vent spring

## 8 Insta Plug Type

**P** - Insta Plug  
**Omitted** - Not required

## 9 Plug Type

**A** - With plug only  
**B** - With plug and receptacle  
**Omitted** - Not required

## 10 Valve Type

**D** - Directional valve, pilot stage

## 11 Mount Type

**G** - Manifold or subplate mounted

## 12 Solenoid Light Type

**L** - Solenoid indicator lights  
**Omitted** - Without lights

## 13 Spool Type

**O** - Open centered spool

## 14 Pilot Valve Type

**N** - No-spring detent pilot stage  
**A** - Offset pilot stage

## 15 Solenoid Type

**H** - Oil immersed solenoid  
**Omitted** - Standard solenoid

## 16 Solenoid Voltage

**Omitted** - Standard solenoid 115 AC 60

## 17 Design

For satisfactory service life of these components in industrial applications, use full flow filtration to provide fluid which meets ISO cleanliness code 18/15 or cleaner. Selections from Eaton OFF, OFR, and OFRS series are recommended.