



Multi-Pressure Relief Valve

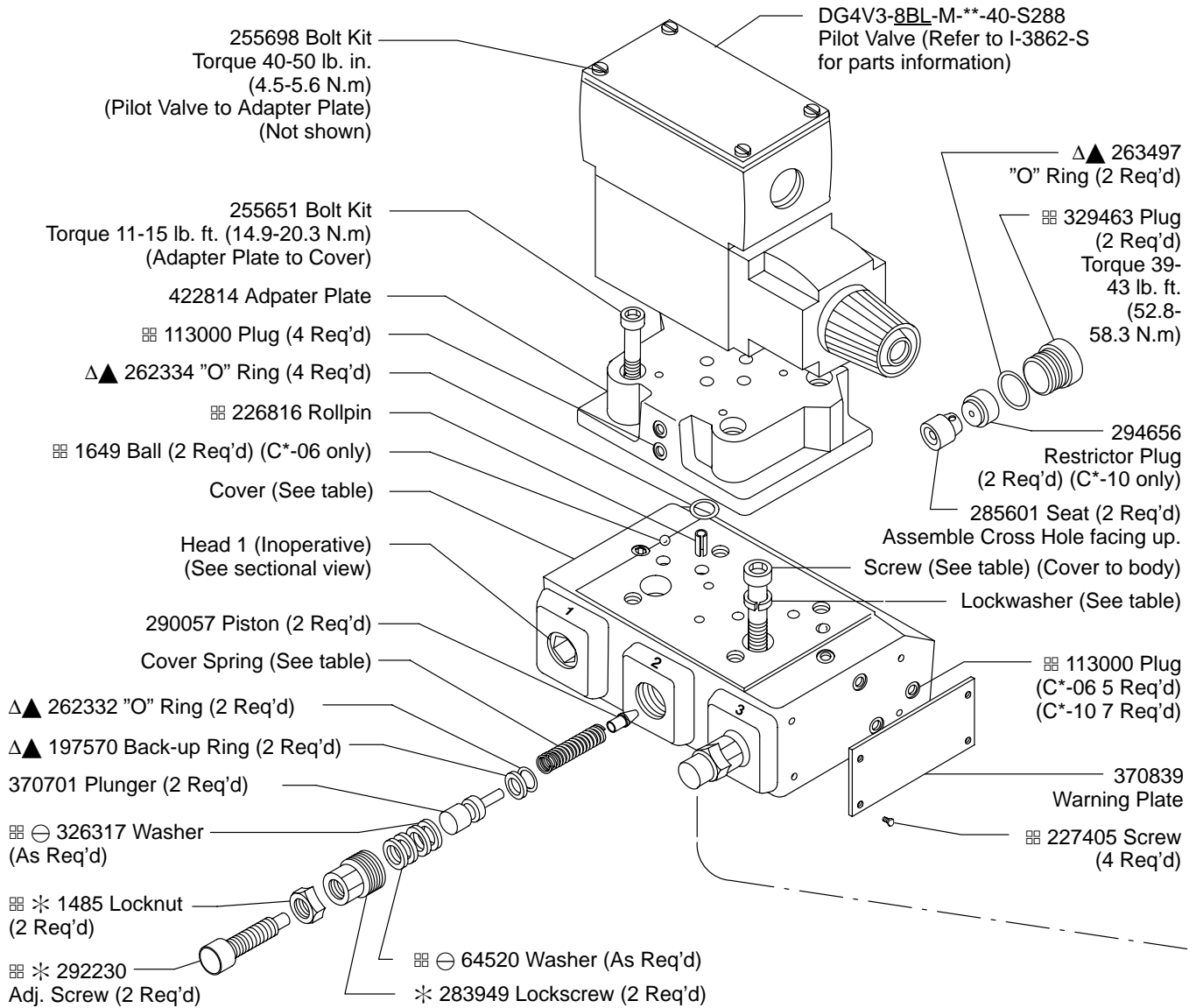
CG/CS/CT-06-**(*)-(V)-DG8BL-M(***)-M-**-*-30

CG/CS/CT-10-**(*)-(V)-DG8BL-M(***)-M-**-*-30



WARNNG

Use only a DG4V-3-8BL-M-**-40-S288 directional valve as a pilot for this relief valve. Use of a different pilot can block relief valve, causing excessive system pressure.



Model	Cover Spring	Pressure Range PSI-(bar)
C*-***-B	2280	125-1000 (8.5-70)
C*-***-C	583937	500-2000 (35-140)
C*-***-F	2281	1500-3000 (105-210)

Model	Screw (4 Req'd)	Torque		L'Washer 4 (Req'd)
		lb.ft.	N.m	
C*-06	1036	11-15	14.9-20.3	68907
C*-10	1076	35-43	47.5-58.3	68909

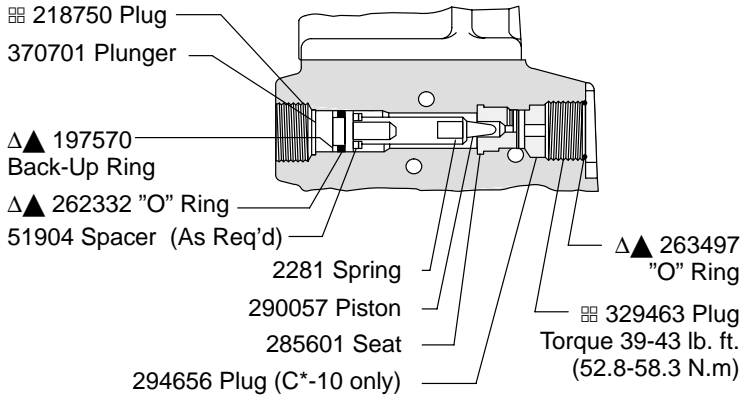
***Note**
Coat 292230 Adj. Screw, 283949 Lockscrew and 1485 Locknut with oil prior to assembly.

⊖ This part used at final test to obtain correct pressure range.

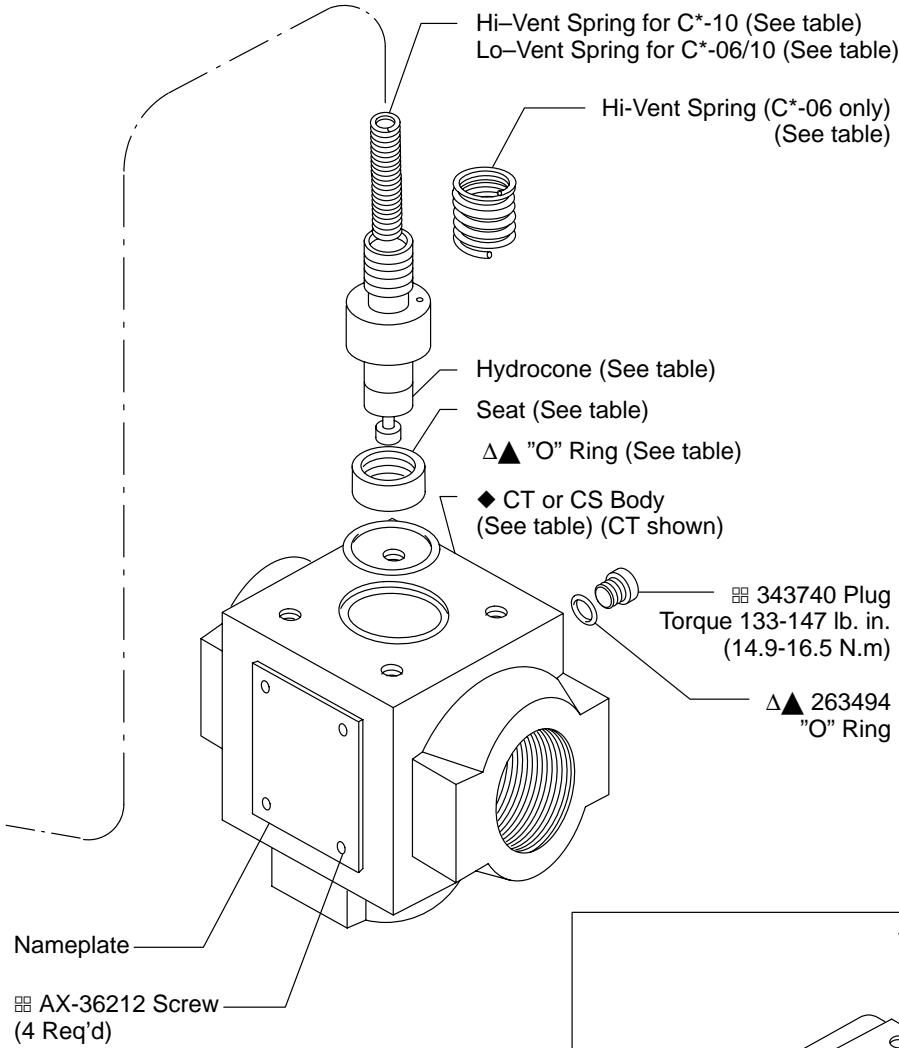
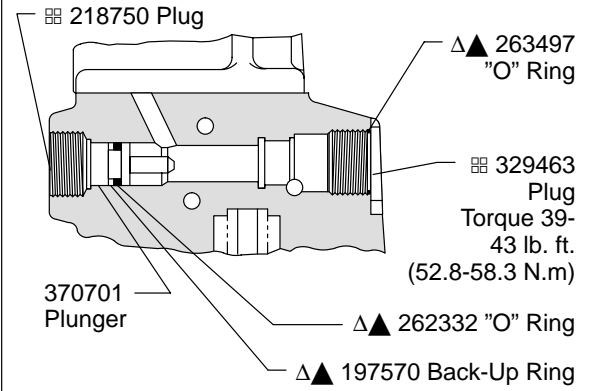
Model	"O" Ring	Seat	Hydro Cone	Lo-Vent Spring	Hi-Vent Spring	Cover
C*-06	262361	343153	343154	2077	184458	370664
C*-10	262367	283954	283952	291822	291821	370669

Note: Use either a Lo-Vent or Hi-Vent Spring.
Do not use both. See Model Code.

Sectional Head 1 Inoperative



Section "E" Vent Head 2 or 3

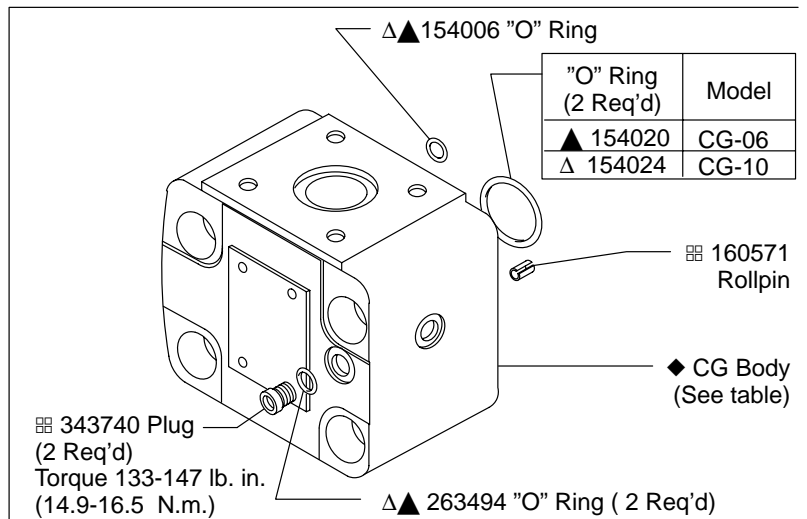


Part	Kit	Part	Kit
1485	944064	226816	944071
1649	944067	227405	944074
AX-36212	944053	292230	944072
64520	944068	326317	944073
113000	944055	329463	944041
160571	944069	343740	944038
218750	944070		

Parts with ☒ available only in kits of 25. Reference kit on parts order.

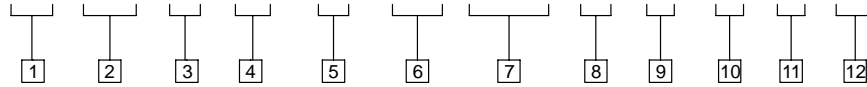
Model	◆ Body	
	-06	-10
CG-	580456	581703
CS-	581701	580430
CT-	590348	590300

- ☒ Available only in Kits of 25
- ▲ Included in F3-06 Seal Kit 919684
- △ Included in F3-10 Seal Kit 919685
- ◆ Not available for sale



Model Code

F3 - C * - ** - ** - (V) - DG - 8BL - M - M - W - B - 30



1 Seal Material

F3 - Seals for mineral oil and fire resistant fluids

2 Model Series

CGST - Relief valve, subplate, straight thread, NPTF thread

3 Nominal Size

06 - 3/4"

10 - 1 1/4"

4 Pressure Range Head 1, 2 or 3

	PSI	Bar
B	125-1000	(8, 5-70)
C	500-2000	(35-140)
F	1500-3000	(105-210)
E	Vent	

5 Spring

V - Hi vent spring
Omitted - Lo vent spring

6 Directional Valve

7 Spool Type & Spring Arrangement

DG4V-3-8BL-M(P**)-**-*-40
(Refer to I-3863-S for detailed service information)

8 Flag Symbol Heading

Electrical features and options

9 DG4V-3 Pivot Valve & Adapter Plate

10 Wiring Housing

1/2" NPT thread

11 Coil Identification Letter

(Refer to I-3862-S)

12 Design

For satisfactory service life of these components in industrial applications, use full flow filtration to provide fluid which meets ISO cleanliness code 20/18/15 or cleaner. Selections from Eaton OFF, OFR, and OFRS series are recommended.