

Vickers®

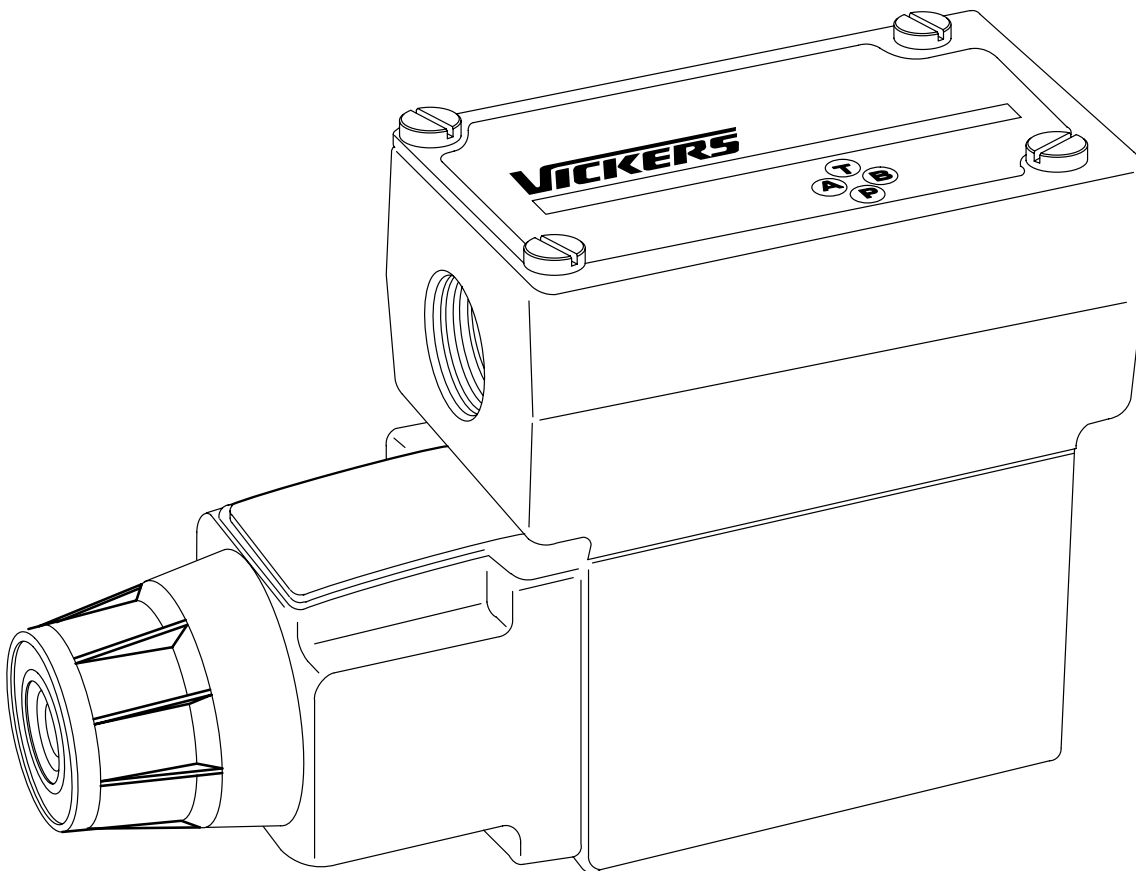
Directional Controls



Service Parts Information

Solenoid Operated Directional Valve

DG4V-3-*B-M(P**)-**-*-40



VICKERS

Revised 12/01/87

I-3862-S

DIN 43650 Coil S/A	Coil S/A	AC Volt Hz	DC Volt	Coil Code
635061	633741	110/50, 115/60, 120/60	—	B
683312	989721	110/50, 115/60, 120/60		*B-9
635062	633742	220/50, 230/60, 240/60		D
683218	989764	24/50, 24/60		N
683310	683053	100/50, 100/60		T
681611	681404	_____		32
681423	989654		12	G
681610	989656		24	H
682552	682550		48	J
*B-9 Reduced Power Consumption Coil				

Spool Type	Spool	■ Spool Kit
0B	635338	926355
1/11B	683314	926565
2B	631611	926356
3/31B	989593	926357
6/68B	631603	926358
7B	989592	926359
8B-S288	630305	926360
33B	635339	926361
Spool kit also includes parts prefixed with ■ and ▲.		

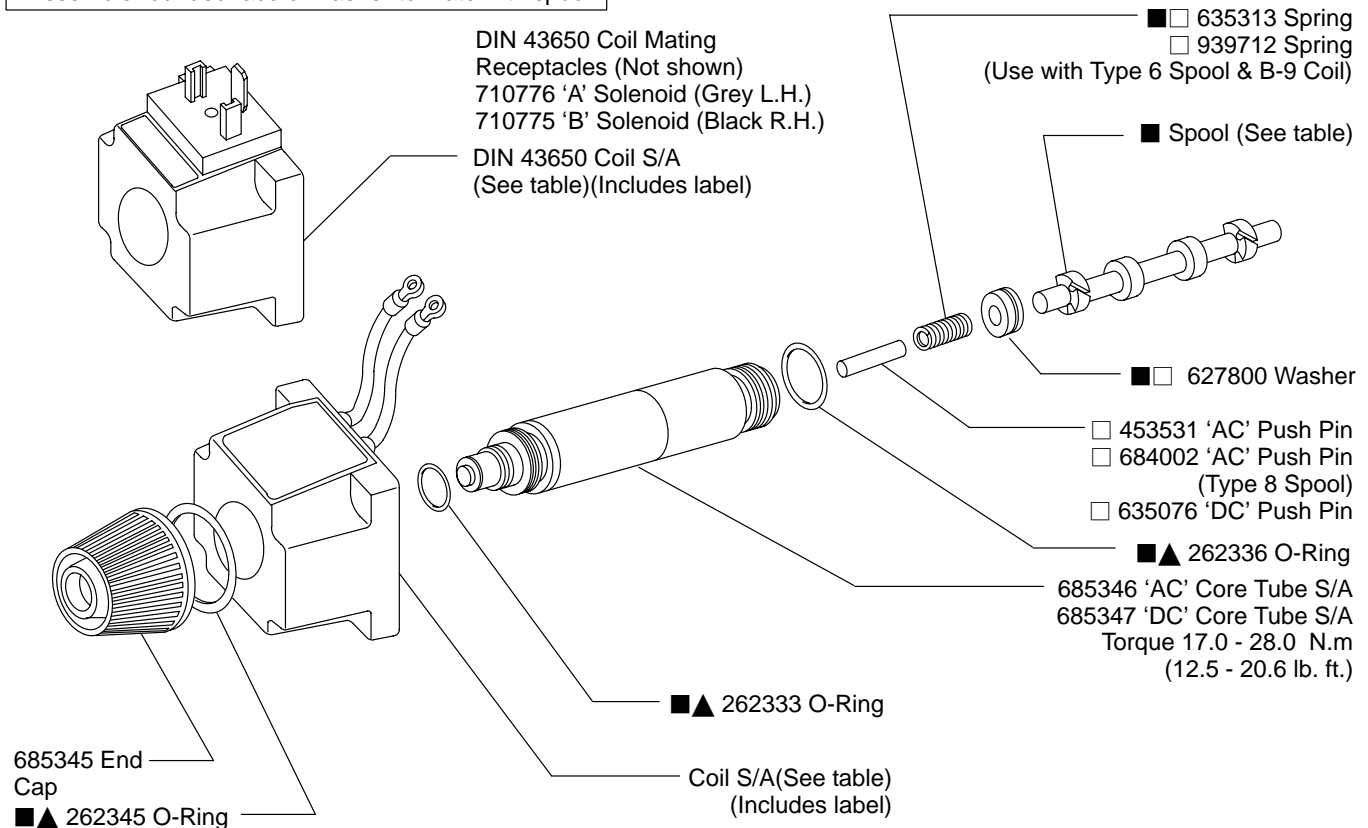
- Assemble Type 1 and 3 spools with narrow center land towards 'A' port. The types 11 and 31 spools are 1 and 3 spools reversed with narrow center land towards 'B' port.

- A spool designation of 68B indicates valve is used as a pilot for two stage valves with 4 or 8 type main stage spools. 68B is used with spring centered units. 78B is used with spring centered units. Refer to dwgs. J-682451 & J-685777 for correct nameplate label.

Refer to Drawing I-3866-S for electrical features and options

Parts prefixed with symbols available only in kits

*Assemble rounded face of washer to mate with spool



▲ Included in F3 Seal Kit 920304

◆ Included in 926433 Fastener Kit

□ Suffix Symbol Pertains Only to Vickers Material Control

● Omit When Using DIN 43650 Coils

DG4V-3-*B-M(P)-**-*-40**

989583 Seal (2 Req'd)
(Not shown)(When using
468641 Screw for DIN 43650
Models)

Screw (Metric)	
●◆ STD (4 Req'd)	Din 43650 (2 Req'd)
422004	468641
Torque 0.5 - 0.7 N. m (4.5 - 6.2 lb. in.)	

635067 Carrier
(STD Models)
989585 Carrier
(DIN 43650)

Nameplate Label
(STD Model Refer to DWG.
J-682451)
(DIN 43650 Refer to DWG. J-685777)

676268 End Cap
(Torque 17.0 - 28.0
N.m 12.5 - 20.6 lb. ft.)

■▲ 262336 O-Ring

●■▲ 633746 Gasket/Retainer

●◆ 576915 Screw

●◆ 688457 Screw
(2 Req'd)
(Torque 2.3 - 2.8 N.m)
(20.3 - 24.8 lb. in.) (Metric)

●◆ 36212 Screw

● 630855 Terminal Box

●■▲ 635069 Gasket

**"P" Feature
Manual Override**

★ 676270 End Cap
(Torque 17.0 - 28.0
N.m 12.5 - 20.6 lb. ft.)

■▲ 676560 Plug

■□ 635313 Spring
□ 939712 Spring
(Use With Type 6
Spool & B-9 Coil)

■* 627789 Washer

★■▲ 262336 O-Ring

★□ 676272 Plunger

★■▲ 262332 O-Ring

631604
Body (Not
Available for
Sale)

■▲ 262332 O-Ring
(4 Req'd)

Restrictor Plug
(Optional)(See table)

□ 472553
Rollpin

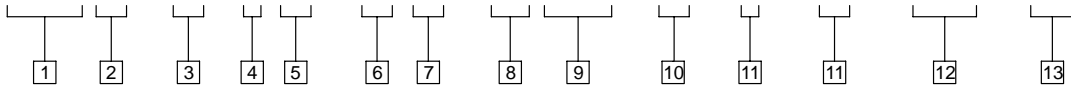
Restrictor Plug		
Part	Orifice Dia.	
	mm	inches
684300	0.3	.012
631892	0.8	.032
628733	1.0	.040
632937	1.3	.052
635281	1.5	.060
687072	2.0	.080
631931	2.3	.092
685482	3.2	.128
632936	Blank	
Use In Either A, B, P, or T Port		

★ Included in Manual Override Kit 926463

Right Hand Assembly shown, except 8B(P)
and 68B(P). For Left Hand Assembly. All
parts are reversed except Body, Spool and
Terminal Box

Model Code

DG4 V - 3 - * B - (P)(L) - M (P) - ** - * - (9) - (***) - 40**



1 Model Series

DG4 - Directional valve, subplate or manifold mounted, solenoid operated

2 Maximum Pressure Rating

350 bar (5000 PSI)

3 Interface

NFPA-D01/ISO-4401-3

4 Spool Type

5 Spring Offset

B - Spring centered
Solenoid A removed

6 Manual Override

(Omit when not required)

7 Left Hand

(Omit when not required)

8 Flag Symbol Heading Electrical Features and Options

9 Electrical Features

(Refer to Drawing I-3866-S)

10 Coil

U - DIN 43650 Coil
W - Wiring Housing 1/2 NPT thd.
WL - Wiring Housing 1/2 NPT thd.
(with indicator light(s))

11 Coil Code Letter

(See table for Voltage and Frequency)

12 Low Wattage Coil

(B Coil only)

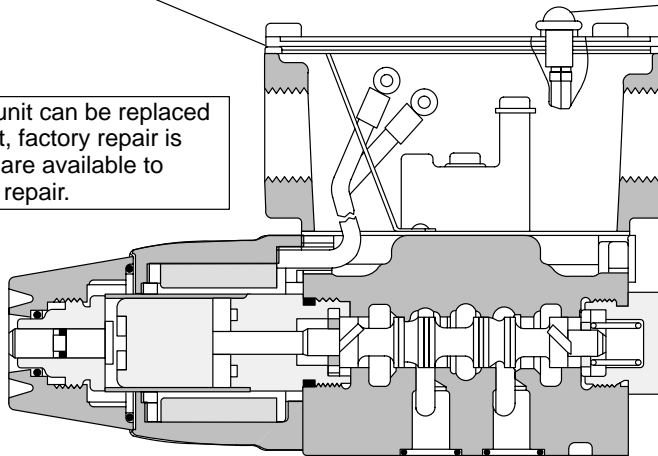
13 Restrictor Plug (A, B, P or T Port)

(See table for Orifice dia. sizes)

14 Design

635065 Carrier
(light)

As this complete unit can be replaced at a nominal cost, factory repair is not practical. Kits are available to support customer repair.



Light Kit	Voltage Range
926499	12V AC/DC
926431	24V AC/DC
926432	115V AC/DC
926458	230V AC/DC

Light Kits include two lights

For satisfactory service life of these components in industrial applications, use full flow filtration to provide fluid which meets ISO cleanliness code 20/18/15 or cleaner. Selections from Eaton OFP, OFR, and OFRS series are recommended.