

Service Data

Vickers®

# Directional Controls

---



## Wet Armature Pilot Operated Directional Valves

DG5S4-10\*A/B/C/N-\*-\*\*-\*\*-\*\*-80



Revised 12/01/90

I-3883-S

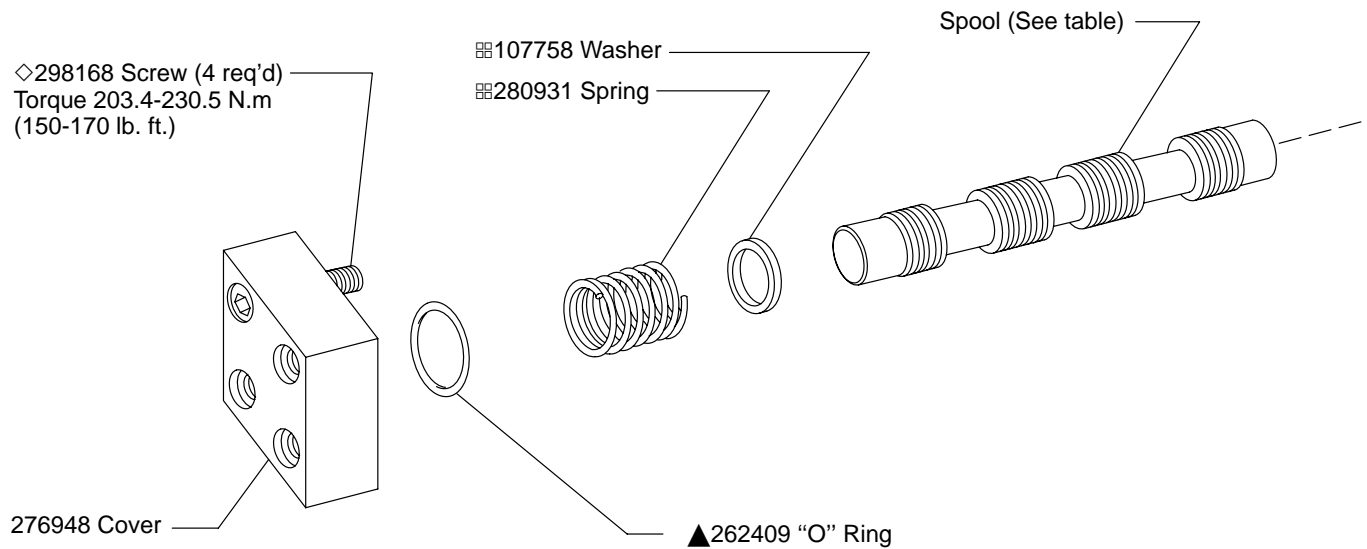
Valve Model Code		Spool	Main Stage ID Plate with Circuit Diagram	
Model	Valve Type		A	B, C, N
DG5S4-100-	A/B/C/N	364037	400975	400976
DG5S4-101-	B/C	*331404	—	400977
DG5S4-102-	A/B/C/N	364038	400975	400978
DG5S4-103-	B/C	*277479	—	400979
DG5S4-104-	B/C	281193	—	400980
DG5S4-106-	A/B/C/N	364039	400975	400981
DG5S4-108-	B/C	364041	—	400980
DG5S4-109-	A/B/C/N	277563	400975	400976
DG5S4-1031-	B/C	*277479	—	580475
DG5S4-1033-	A/B/C/N	364042	400975	400981

\*Assemble type "1" & "3" spools with narrow center land toward "A" end of valve. "A" end of valve is defined as being closest to cylinder port "A". Type "31" spool is installed in reverse of type "3", with narrow center land toward "B" end of valve.

Plug	Torques (oiled)	
	N.m.	lb. in.
7074	8.5-9.6	75-85
7075	20.0-23.0	180-205
30560	8.5-9.6	75-85
113000	5.0-5.9	45-52
161809	5.0-5.9	45-52
343740	10.0-11.8	90-105
363889	16.9-18.0	150-160
407533	3.4-4.0	30-35

Plug Installation Table			
Model	"A" Plug	"B" Plug	"C" Plug
DG5S4-10**	Out	30560	Out
DG5S4-10**-E		7074	30560
DG5S4-10**-X		Out	Out
DG5S4-10**-X-E		7074	
DG5S4-10**-K/L/R/S	161809		
DG5S4-10**-E-K/L/R/S	113000		Out
DG5S4-10**-X-K/L/R/S	Out		Out
DG5S4-10**-X-E-K/L/R/S	113000		

Model	Spring
DG5S4-10**-K	247287
DG5S4-10**-L	247288
DG5S4-10**-R	276428
DG5S4-10**-S	432353



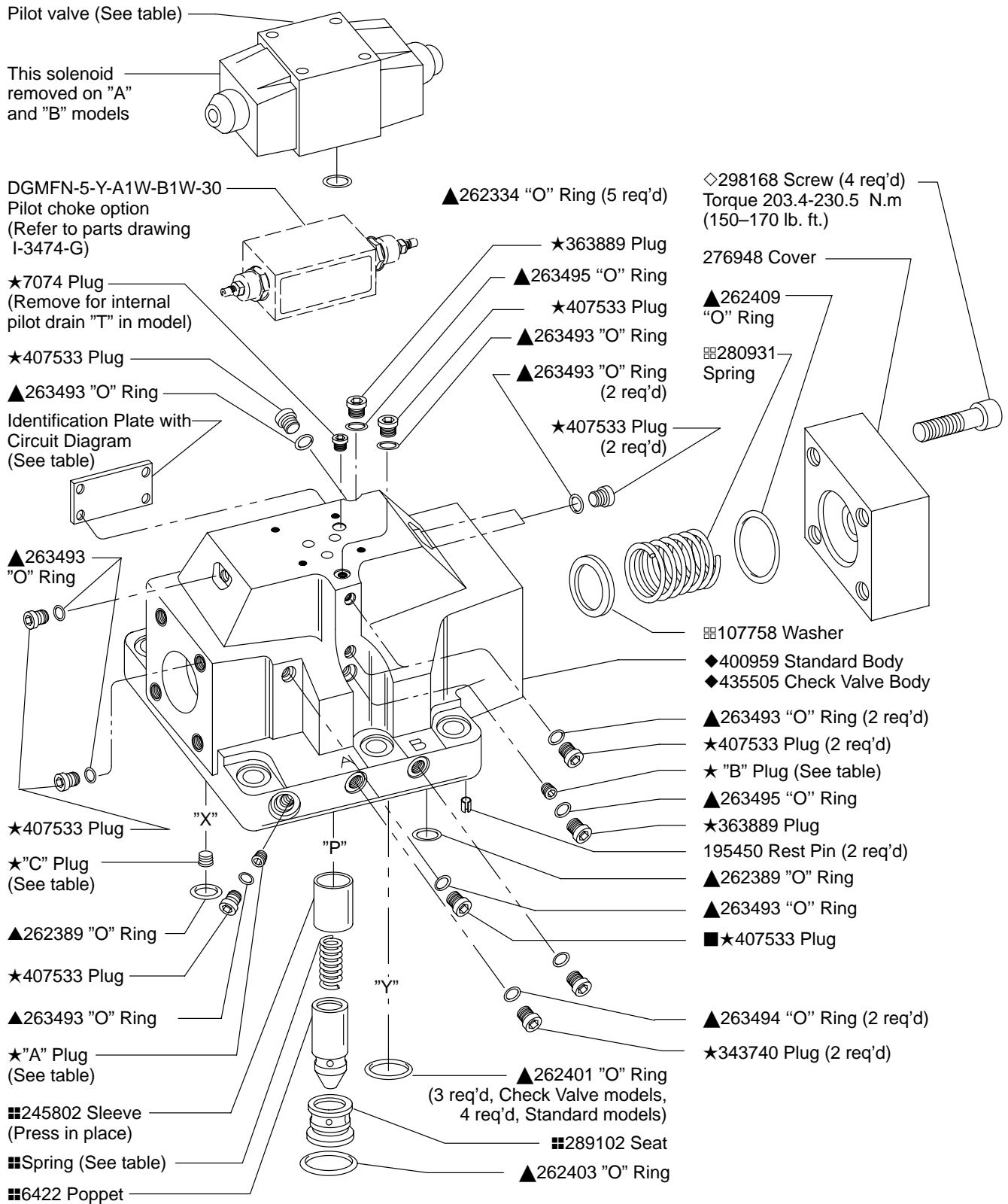
- ▲ Service all units with F3 Seal Kit 920213
- ◇ Included in Fastener Kit 941262
- Included in Bolt Kit 255633
- Included in Bolt Kit 255654
- ★ Included in Plug Kit 941263
- Used in Check Valve models only
- ▣ Remove on Spring Offset models
- ◆ Not available for sale

**Seal Kit Note**

The -80 design valves are manufactured as shown with F3 seals used internally. Interface seals are standard Nitrile material and are converted to F3 in the seal kit. All seals in the seal kit are F3.

**Note**

Parts included in service kits are not sold separately.

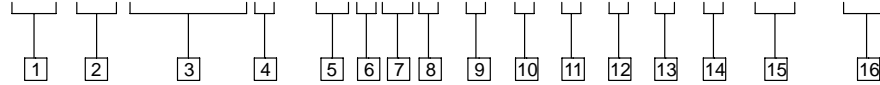


Valve Model	Main Stage Spool	Pilot Valve Model	Pilot Valve Drawing
DG5S4-10*A-80	0, 2, 6, 9, 33	DG4S4-012A-60	I-3878-S
DG5S4-10*B-80	0, 1, 2, 3, 6	DG4S4-016B-60	I-3879-S
	9, 31, 33	DG4S4-0168B-60	
	4 & 8		
DG5S4-10*C-80	0, 1, 2, 3, 6	DG4S4-016C-60	I-3879-S
	9, 31, 33	DG4S4-0168C-60	
	4 & 8		
DG5S4-10*N-80	0, 2, 6, 9, 33	DG4S4-012N-60	I-3880-S

Pilot Attaching Bolt Kits	
Model	Bolt Kit
Without pilot choke	255633
With pilot choke	255654
(Torque to 11.3 - 12.65 N.m) (100 - 112 lb. in.)	

# Model Code

**(F3) P\* DG5S4 \* - 10 \* C \* - \* - \* - \* - \* - \* - 80 - (LH)**



**1 Seal Material**

**F3** - Seals for mineral oil and fire resistant fluids

**2 Electrical Options**

(Omit if not required)

**PA** - Insta plug valve with plug only  
**PB** - Insta plug valve with plug & receptacle

**3 Model Series**

**DG5S4** - Directional control valve, manifold or subplate mounted, solenoid controlled pilot operated, sliding spool, flow direction 4 - 4 way

**4 Electrical Accessories**

**L** - Solenoid indicator lights  
**Omitted** - None

**5 Valve Size**

**10 series** - 1 ¼ inch

**6 Main Stage Spool Types**

0, 1, 2, 3, 4, 6, 8, 9, 31, & 33

**7 Valve Type**

**A** - Spring offset  
**B** - Spring centered (one solenoid)  
**C** - Spring centered  
**N** - No spring detented

**8 Response**

**X** - Fast response models  
**Omitted** - Low shock models

**9 Spool Control Modifications**  
(Omit if not required)

**1** - Stroke adjustment  
**2** - Pilot choke adjustment  
**3** - Pilot choke & stroke adjustment  
**7** - Stroke adjustment "A" end only  
**8** - Stroke adjustment "B" end only

**10 Pilot Pressure**

**E** - External pilot pressure  
**Omitted** - Internal pilot pressure

**11 Pilot Drain**

**T** - Internal pilot drain  
**Omitted** - External pilot drain

**12 Check Valve in Pressure Port**

(Omitted - No check valve)

**K** - 5 psi (0.35 bar)  
**L** - 30 psi (2.14 bar)  
**R** - 50 psi (3.45 bar)  
**S** - 75 psi (5.2 bar)

**13 Pilot Valve Type**

**W** - Wet armature

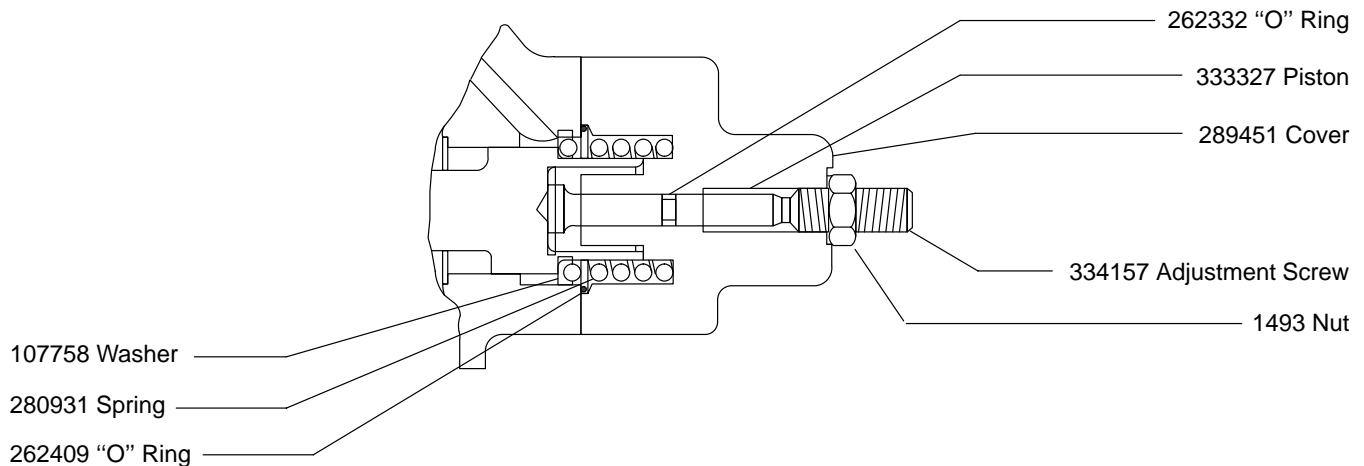
**14 Coil Identification Letter**

**15 Design**

**16 Left Hand Assembly**

(Omit for right hand assembly)

**Stroke Adjustment Parts**  
(Either end of valve or both)



For satisfactory service life of these components in industrial applications, use full flow filtration to provide fluid which meets ISO cleanliness code 18/15 or cleaner. Selections from Eaton OFF, OFR, and OFRS series are recommended.