



Vickers

Inlet Filters with Air Bleed Feature

10FA-***-12/20

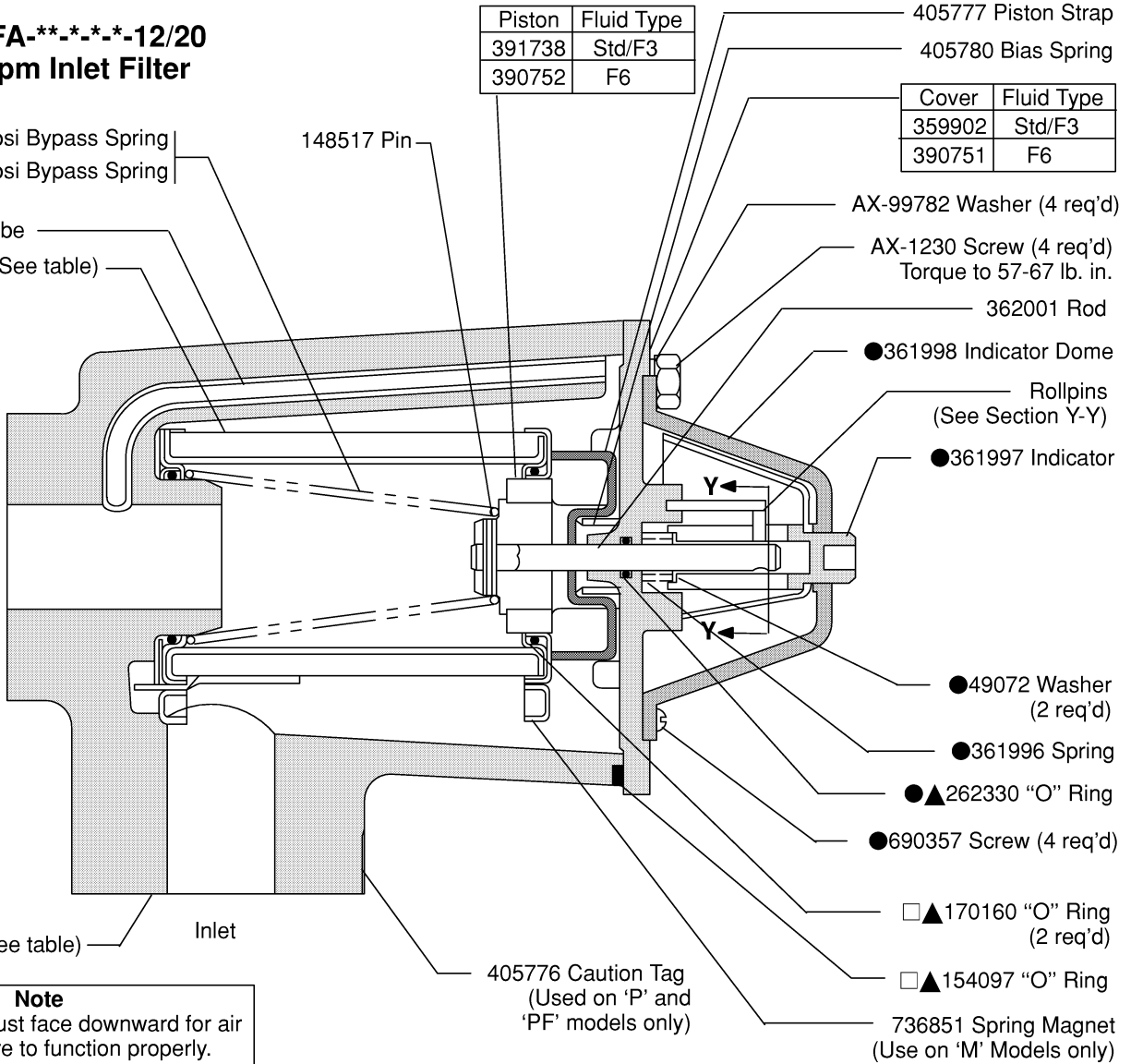
50F-***-12/20

100F-***-12/20

(F*)-10FA--**-**-12/20**
12 USgpm Inlet Filter

364150 - 2 psi Bypass Spring
 364151 - 3 psi Bypass Spring

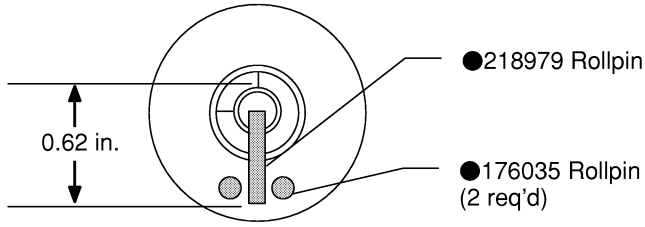
Air Bleed Tube
 Element (See table)



Note
 Inlet port must face downward for air bleed feature to function properly.

<input type="checkbox"/> Included in Filter Element Kits			
Model	Element	Std.	F3
10FA-1*-**-12/20	361990	941052	941053
10FA-2*-**-12/20	361739	941054	941055

Housing		
Port Connection	Port Size & Flow Rating	
B	Std/F3	575965
	F6	575966
F	Std/F3	367126
	F6	390750
P	Std/F3	359906
	F6	390748
S	Std/F3	362000
	F6	390749
PF	Std/F3	573003
	F6	573021
SF	Std/F3	573004
	F6	573022



Section Y-Y

▲ Included in 919641 Seal Kit for Std. & F6/F3 Equivalent 919642 Seal Kit

● Included in Mechanical Indicator Kit 942477

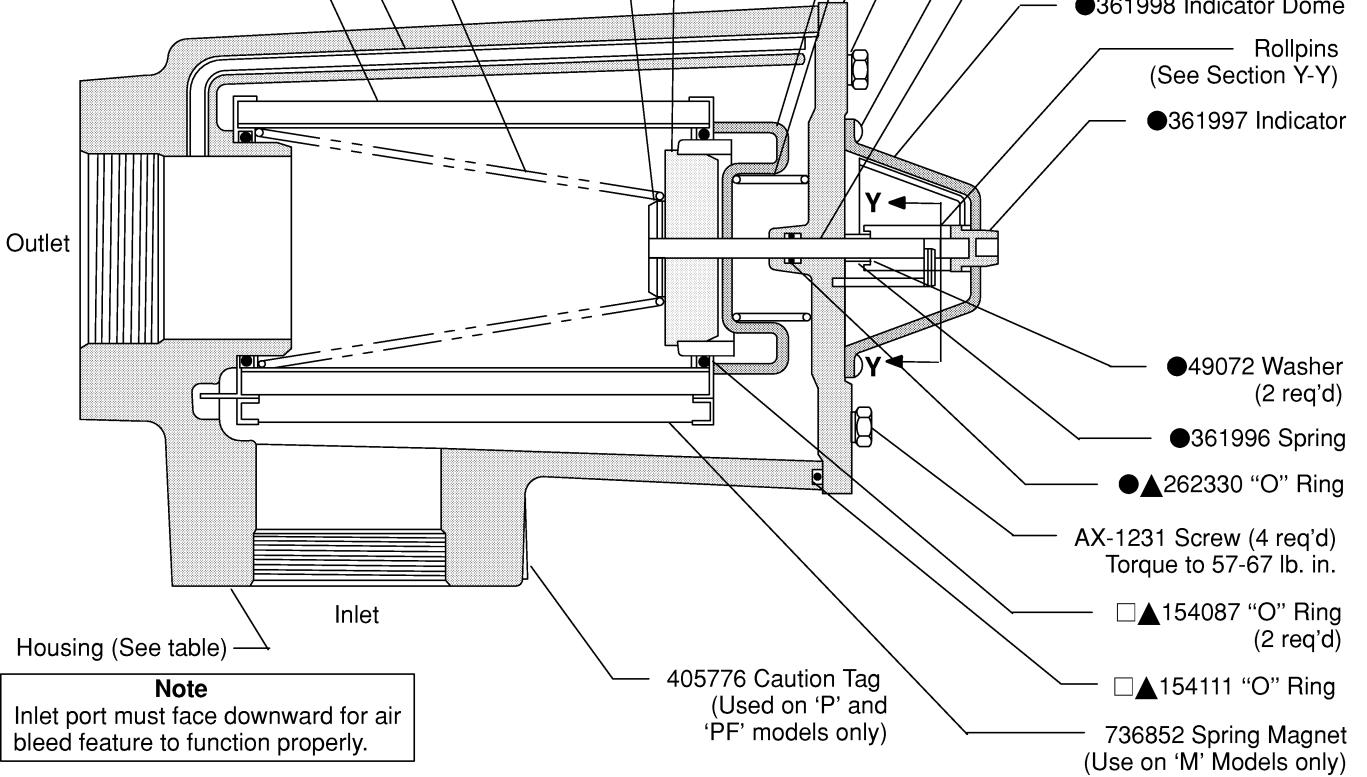
(F*)-50F--**-12/20**
28, 47 & 67 USgpm Inlet Filter

364152 - 2 psi Bypass Spring
 364153 - 3 psi Bypass Spring

Air Bleed Tube
 Element (See table)

Piston	Fluid Type
361744	Std/F3
390762	F6

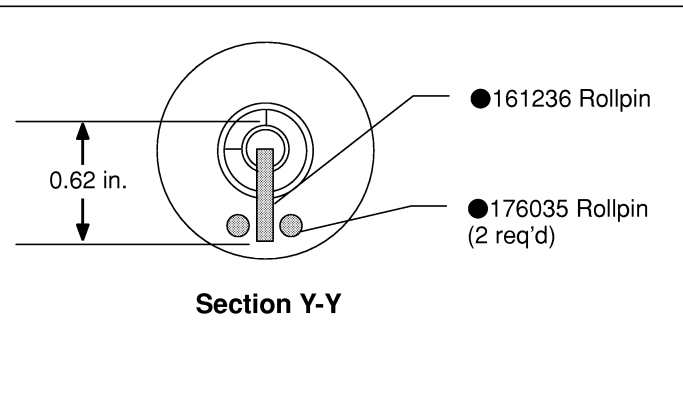
Cover	Fluid Type
359904	Std/F3
390761	F6



Note
 Inlet port must face downward for air bleed feature to function properly.

<input type="checkbox"/> Included in Filter Element Kits			
Model	Element	Std.	F3
50FB-1*-**-12/20	361991	941056	941057
50FB-2*-**-12/20	361740	941058	941059
50FC/D-1*-**-12/20	361992	941060	941061
50FC/D-2*-**-12/20	361741	941062	941063

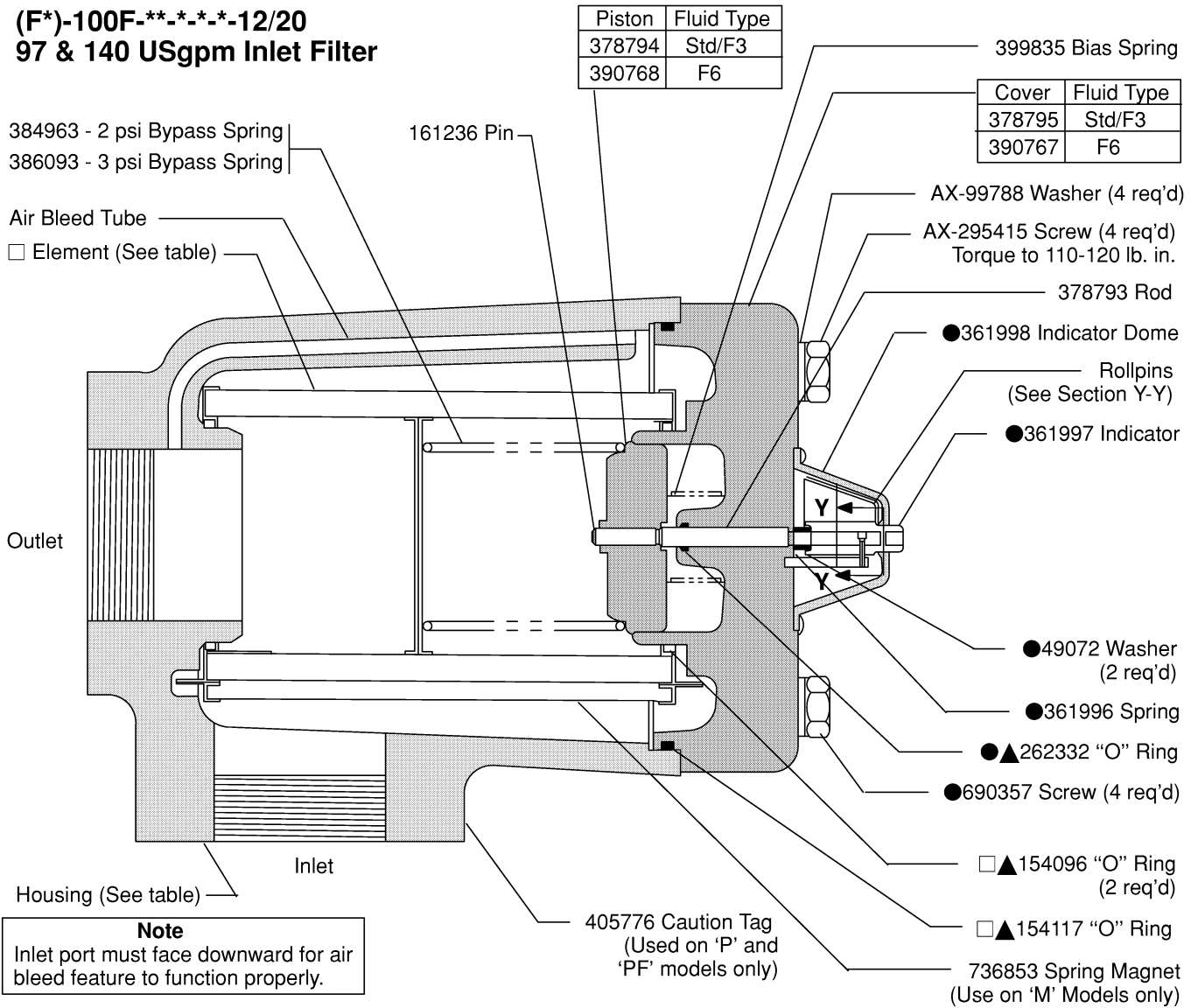
Housing				
Port Connection		Port Size & Flow Rating		
		'B' -1-1/2" 28 USgpm	'C' -2" 47 USgpm	'D' -2-1/2" 67 USgpm
P	Std/F3	361750	361751	361737
	F6	390753	390754	390755
S	Std/F3	361728	361729	—
	F6	390756	390757	—
F	Std/F3	361731	361732	361738
	F6	390758	390759	390760
PF	Std/F3	573006	573007	573008
	F6	573023	573024	573025
SF	Std/F3	573010	573011	—
	F6	573026	573027	—



▲ Included in 919643 Seal Kit for Std. & F6/F3 Equivalent 919644 Seal Kit

● Included in Mechanical Indicator Kit 942477

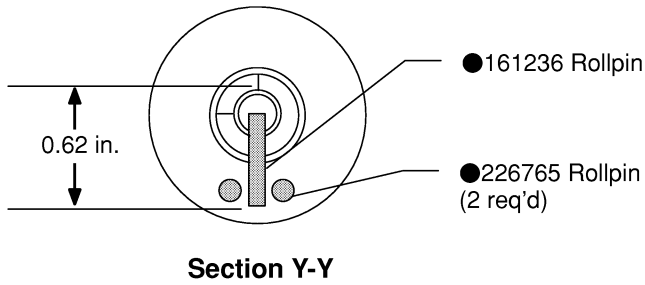
(F*)-100F--**-12/20
97 & 140 USgpm Inlet Filter**



Note
Inlet port must face downward for air bleed feature to function properly.

□ Included in Filter Element Kits			
Model	Element	Std.	F3
100FE/F-1*-**-12/20	378991	941064	941065
100FE/F-2*-**-12/20	378990	941066	941067

Housing			
Port Connection		Port Size & Flow Rating	
		'E'-3" 97 USgpm	'D'-3-1/2" 140 USgpm
P	Std/F3	378998	378999
	F6	390763	390764
F	Std/F3	378995	378996
	F6	390765	390766
PF	Std/F3	573013	573014
	F6	573028	573029

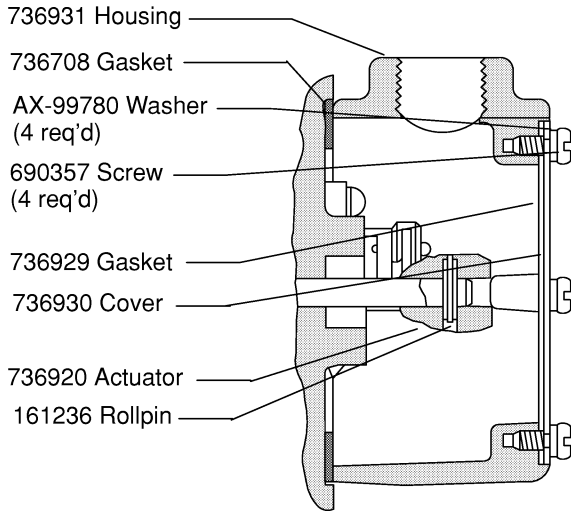


▲ Included in 919740 Seal Kit for Std. & F6/F3 Equivalent 919741 Seal Kit

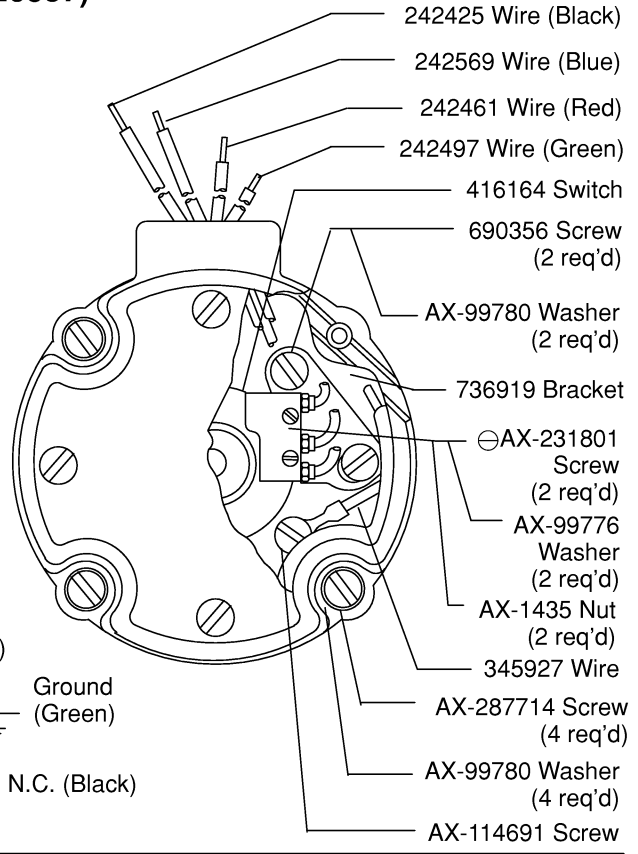
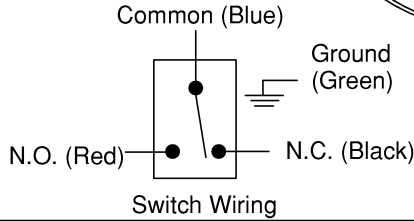
● Included in Mechanical Indicator Kit 942477

Electrical Indicator Parts (All Models) (Kit 926587)

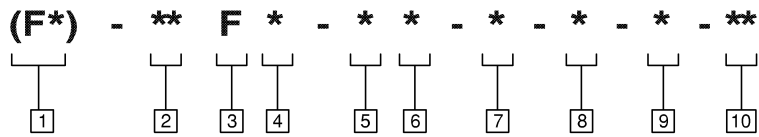
⊖100F* Models require (2) AX-231804 screws and (1) 351318 Insulator



Note
 Adjust switch position so contacts make and break with actuator movement between .25-.38.



Model Code



1 Special Seals

F3 - Seals for mineral oil & fire resistant fluid
F6 - Seals for oil-in-water emulsion fluid (Omit for standard petroleum based fluid)

2 Filter Package Size

10
50
100

3 Inlet Filter with Air Bleed

4 Port Size & Flow Rating

A - 1 inch (12 USgpm)
B - 1-1/2 inch (28 USgpm)
C - 2 inch (47 USgpm)
D - 2-1/2 inch (67 USgpm)
E - 3 inch (97 USgpm)
F - 3-1/2 inch (140 USgpm)

5 Filter Element Micron Rating

1 - 100 mesh (149 micron)
2 - 200 mesh (74 micron)

6 Port Connections

B - G1 BSPF thread
F - SAE flange
P - NPTF thread
S - SAE straight thread
PF - NPTF thread (inlet port)
 SAE flange (outlet port)
SF - SAE straight thread (inlet port)
 SAE flange (outlet port)

7 Indicator Type

E - Electrical
L - Less indicator
Blank - Mechanical

8 Bypass Spring

3 - 3 psi bypass spring
Blank - 2 psi bypass spring

9 Magnet

M - Magnet
Blank - Magnet omitted

10 Design

12 - Mechanical or less indicator type
20 - Electrical indicator type

For satisfactory service life of these components in industrial applications, use full flow filtration to provide fluid which meets ISO cleanliness code 20/18/15 or cleaner. Selections from Vickers OFP, OFR, and OFRS series are recommended.

Eaton
14615 Lone Oak Road
Eden Prairie, MN 55344
USA
Tel: 952 937-9800
Fax: 952 974-7722
www.hydraulics.eaton.com

Eaton
20 Rosamond Road
Footscray
Victoria 3011
Australia
Tel: (61) 3 9319 8222
Fax: (61) 3 9318 5714

Eaton
46 New Lane, Havant
Hampshire PO9 2NB
England
Tel: (44) 23 92 486 451
Fax: (44) 23 92 487 110



Vickers