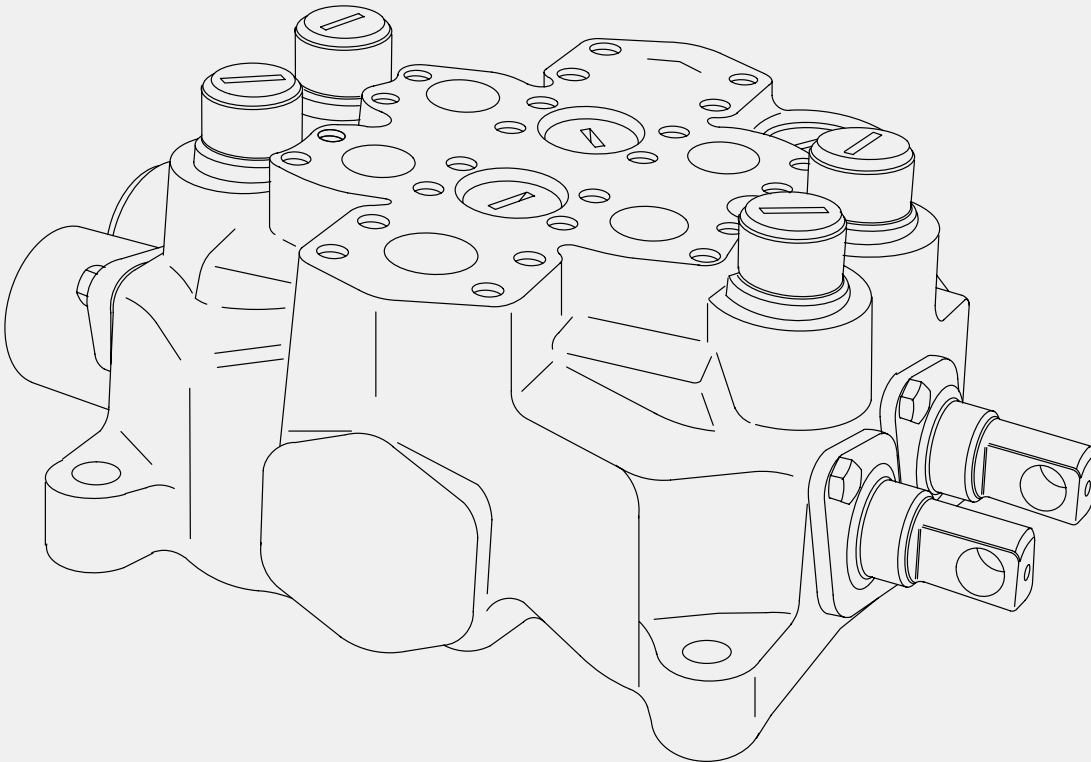


Directional Valve

CMD60-**-***-10

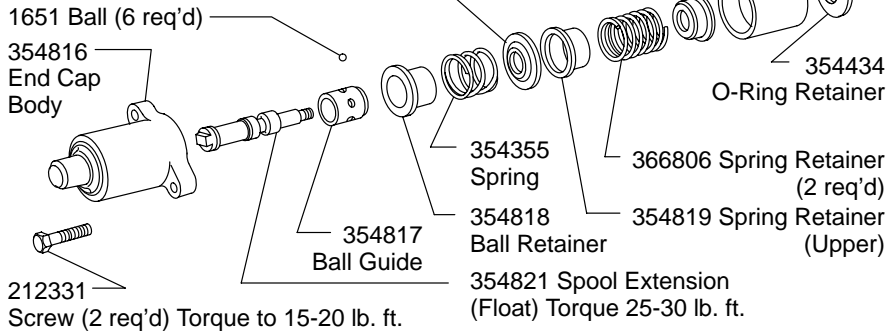




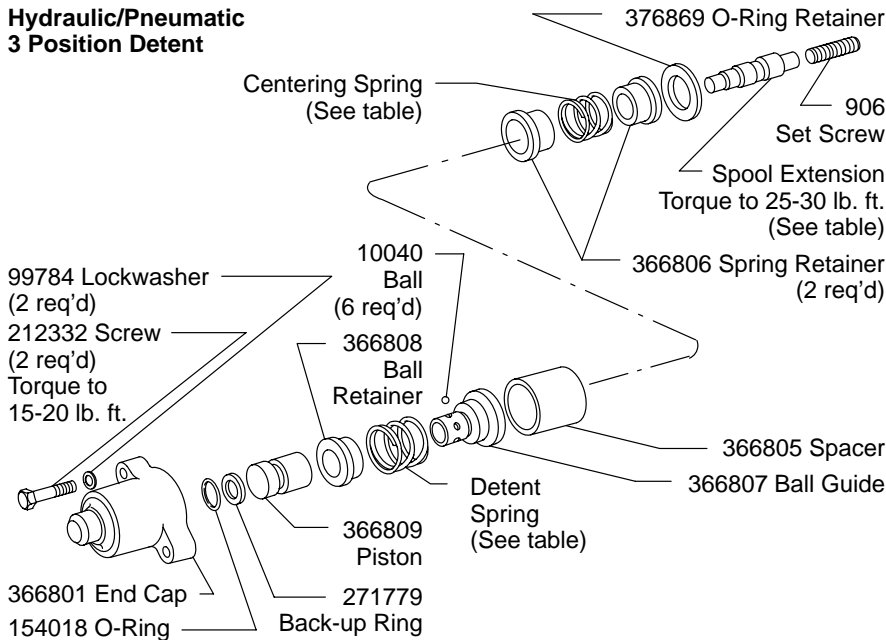
WARNING

Use this drawing for parts information only. See Overhaul Manual M-2420-S for maintenance information.

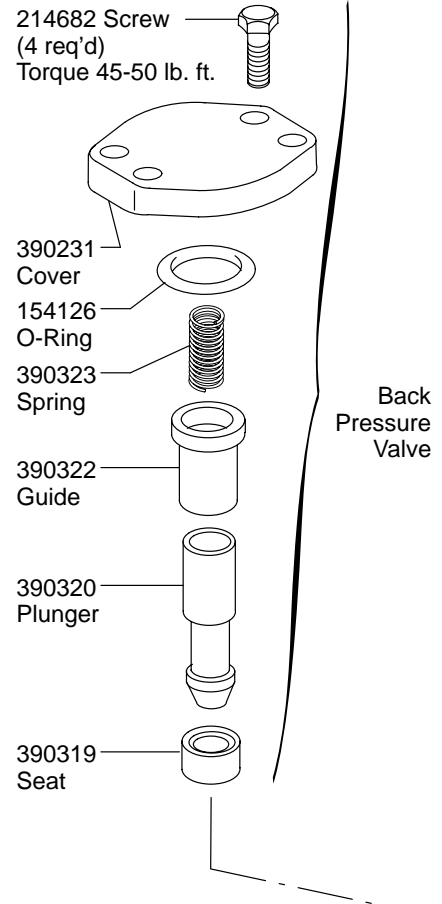
Float Spool Detent



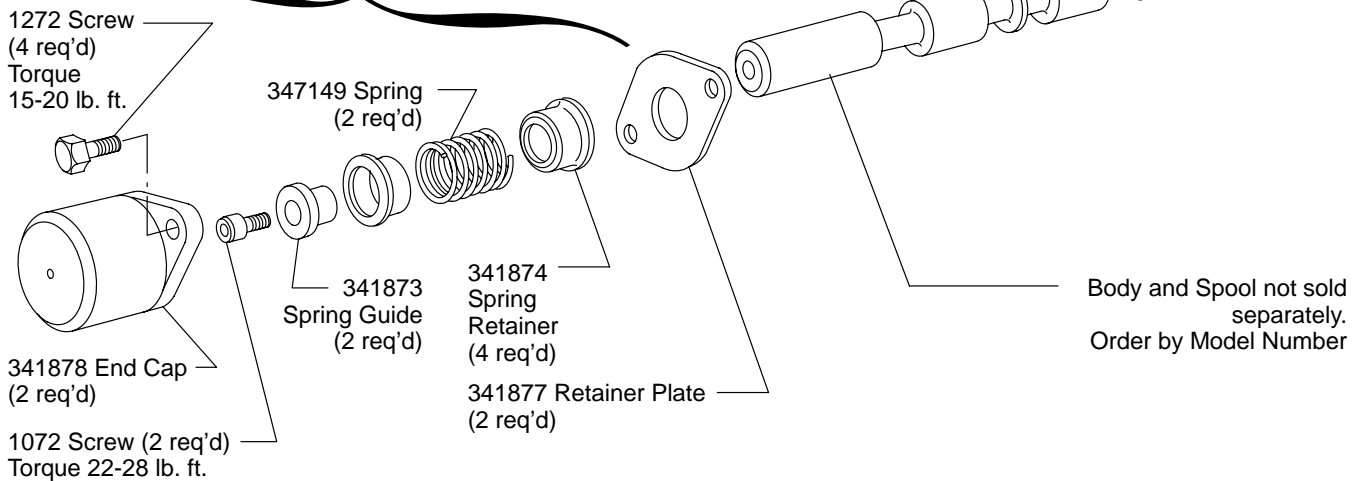
Hydraulic/Pneumatic 3 Position Detent



Detent Position	Spool Extension	Centering Spring Rate	Centering Spring	Detent Spring
In & Out	366804	Full	366760	366816
Out	393922	Three Qtr.	376430	376433
In & Out	407417	One Half	376431	376434
In	409576	One Qtr.	376432	376435

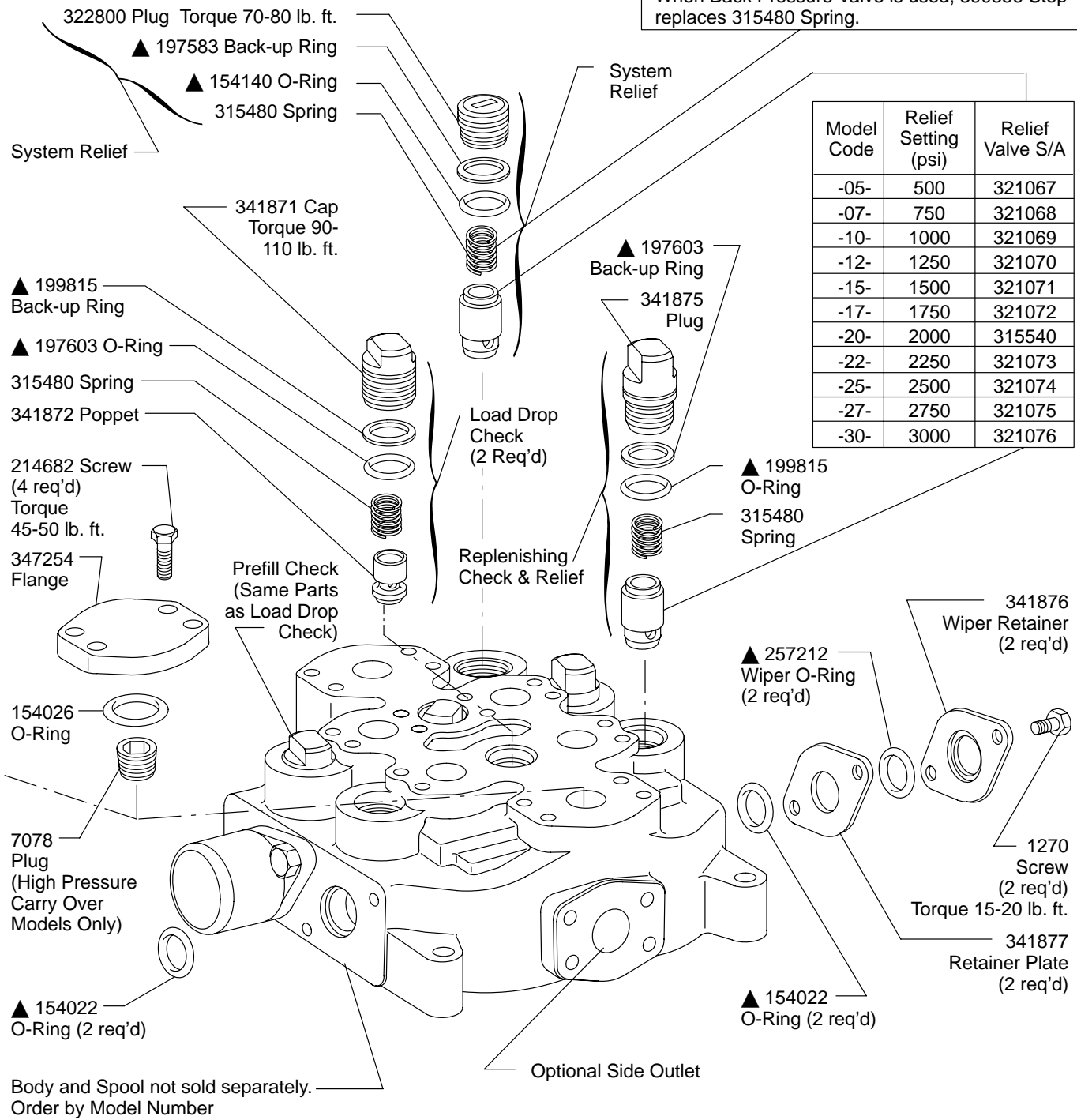


Back Pressure Valve



Body and Spool not sold separately. Order by Model Number

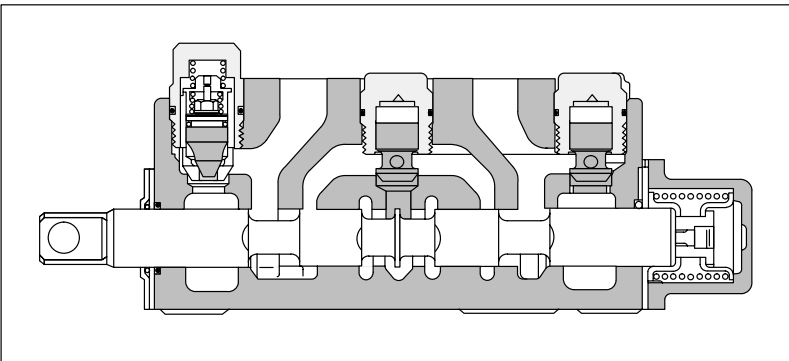
Note
When Back Pressure Valve is used, 390356 Stop replaces 315480 Spring.



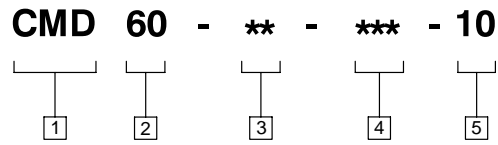
Model Code	Relief Setting (psi)	Relief Valve S/A
-05-	500	321067
-07-	750	321068
-10-	1000	321069
-12-	1250	321070
-15-	1500	321071
-17-	1750	321072
-20-	2000	315540
-22-	2250	321073
-25-	2500	321074
-27-	2750	321075
-30-	3000	321076

Body and Spool not sold separately.
Order by Model Number

▲ Included in Seal Kit 923420



Model Code



1 Model Series

CMD - Mobile directional control

2 Valve Series

Normal capacity
60 - 60 USgpm

3 Integral Relief Valve Setting

(Available in increments of 250 psi
from 750-3000 psi)

07 - 750 psi	20 - 2000 psi
10 - 1000 psi	22 - 2250 psi
12 - 1250 psi	25 - 2500 psi
15 - 1500 psi	27 - 2750 psi
17 - 1750 psi	30 - 3000 psi

4 Spool Sections

B - Double acting motor spool
C - Float spool - 4 position
D - Double acting
F - Truck spool - 4 position
G - Regenerative Float
T - Single acting
S - Series - double acting
W - Reverse single acting

5 Design

Note

CMD Valves offer so many options that all variations cannot be shown in the above Model Code. The Model Code depicts only options common to the Valve Series.

For satisfactory service life of these components use full flow filtration to provide fluid which meets ISO cleanliness code 20/18/15 or cleaner. Selections from Eaton OFF, OFR, and OFRS series are recommended.