

# Service Bulletin

## Eaton® Heavy Duty – Models 33 thru 76 Tapered Shaft Nut Torque Specifications

No. 980901  
September 1998  
(Replaces No. 980601 June 1998)

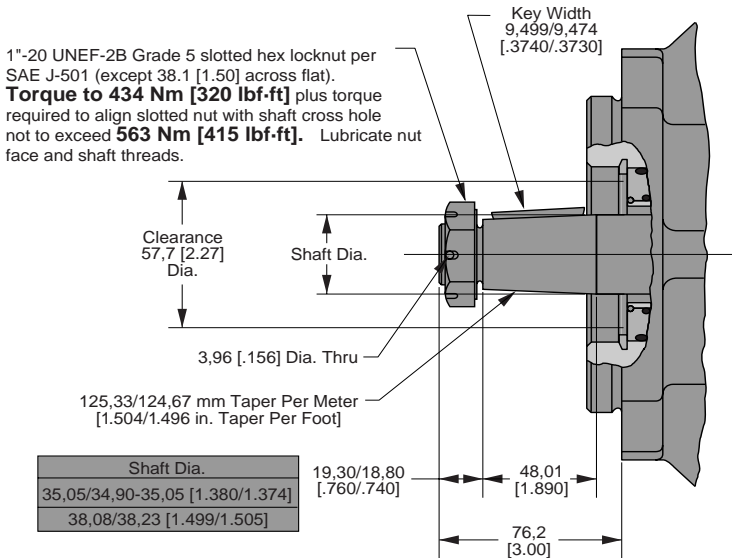


Be advised that the shaft nut torque specifications on the Heavy Duty Series Models 33 thru 76 has been increased. Note the new torque values listed below.

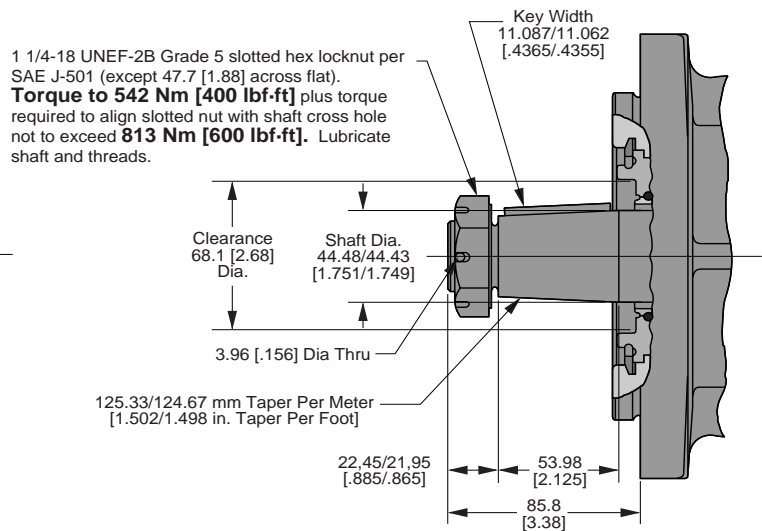
To help in the removal of the Yoke we suggest using a Tapered Shaft Yoke Puller Tool, which is described on back of this form.

This Service Bulletin replaces previous versions as we discovered some errors in the dimensions referenced on the Tapered Shaft Yoke Puller Tool. Plus we reduced the required effective thread length size of the 7/8" bolt. We found that 2" effective thread length works fine and this type of bolt is more easily sourced. We apologize for any inconvenience these errors may have caused.

### Tapered Shaft Models 33 thru 64 Compatible with ISO 3019/1 (SAE-J744) Specifications



### Tapered Shaft Model 76 Compatible with ISO 3019/1 (SAE-J744) Specifications



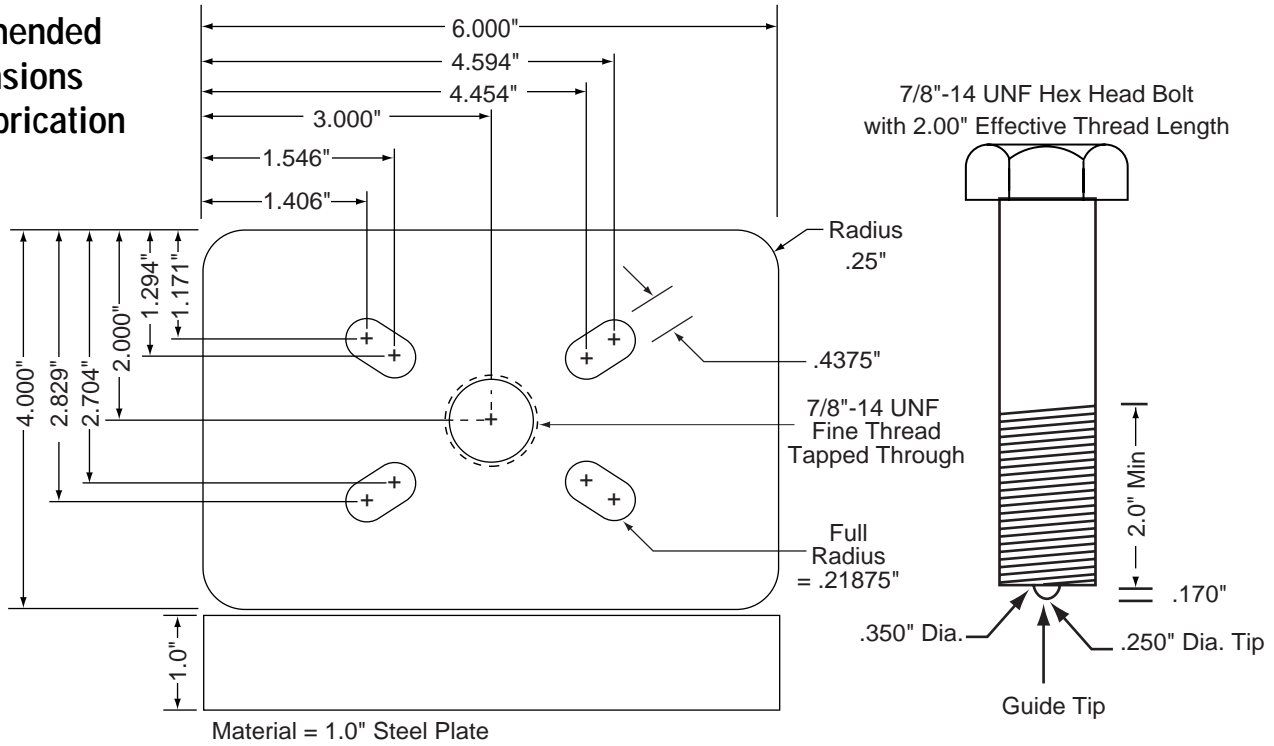
All dimensions given in millimeters [inches].

## Heavy Duty Series Tapered Shaft Torque – Specifications

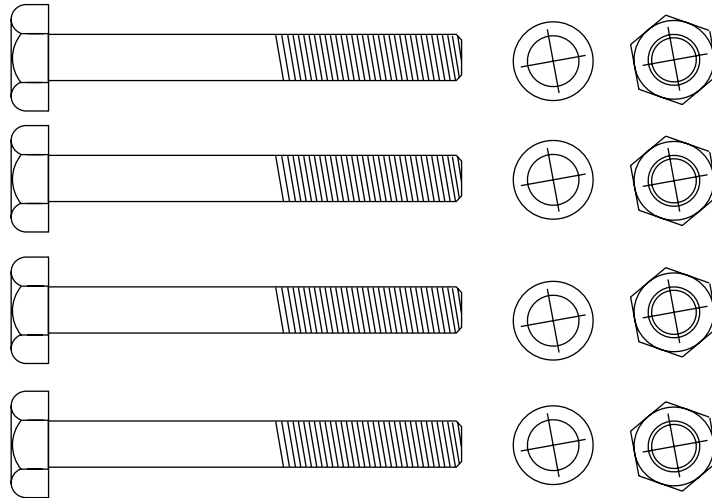
# Tapered Shaft Yoke Puller

(for 1310 and 1350 Yokes)

## Recommended Dimensions for Fabrication



(4) 5/16"-18 x 2.5" Hex Head Bolts,  
Nuts and Flat Washers



Eaton Corporation  
Hydraulics Division  
15151 Hwy. 5  
Eden Prairie, MN 55344  
Telephone: 612/937-9800  
Fax: 612/937-7130

Eaton Ltd.  
Hydraulics Division  
Glenrothes, Fife  
Scotland, KY7 4NW  
Telephone: +44 (0)1592-771-771  
Fax: +44 (0)1592-773-184

Eaton GmbH  
Hydraulics Products  
Am Schimmersfeld 7  
40880 Ratingen, Germany  
Telephone: +49 (0)2102-406-830  
Fax: +49 (0)2102-406-800



Quality System Certified  
Products in this catalog are manufactured  
in an ISO-9001-certified site.